

# 80cm 'LVG' Gas Oven

## 800 LVG



You don't need to change your cooking style in order to get fantastic results. That's why ILVE has released an 80cm built-in gas oven. Built for the energy conscious household this oven boasts all the bells and whistles of its electric counterpart. The 800 LVG is fan assisted and has an electric grill with up to 5 gas cooking modes. Design has not been compromised with this oven following all ILVE's culinary attributes including hand assembly.



Pictured: • 800 LVG Oven  
• H38PC/X Cooktop  
• IVX39-80 Hood

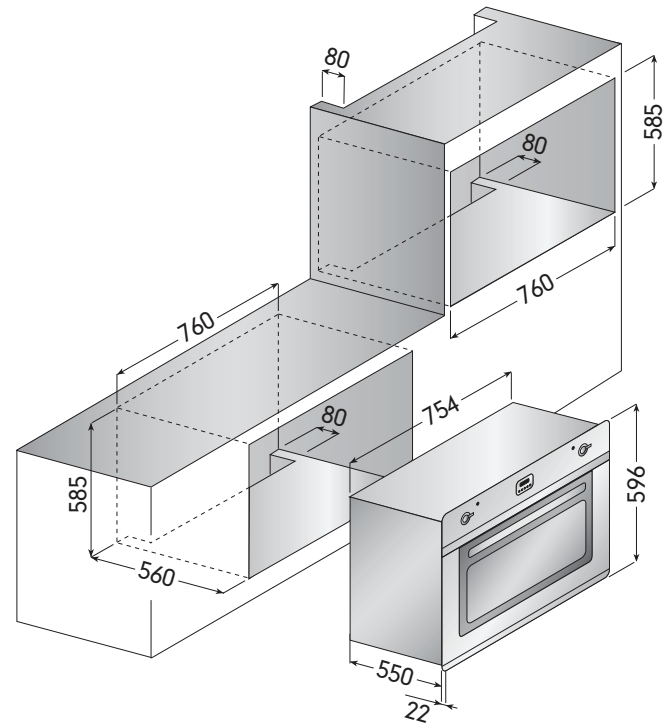
# 80cm 'LVG' Gas Oven

## 800 LVG

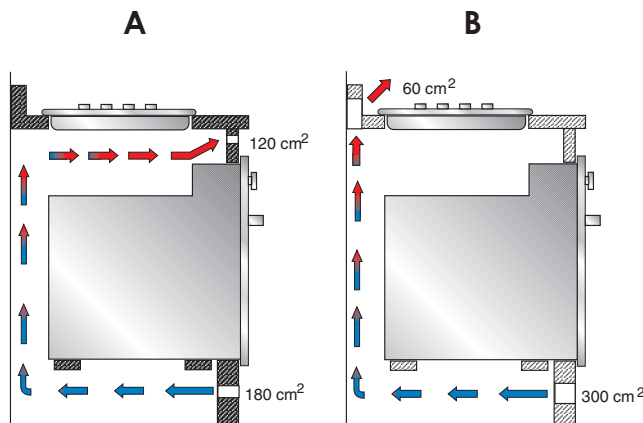


### Model 800 LVG

- Select 5 multifunctional cooking modes
- 110 litre oven capacity
- Electric Rotisserie
- Turbowave cooking
- Easy dismantling of oven interior
- Double spill trays on floor of oven
- Easy clean vitreous enamel interior, smooth black non staining appearance
- Digital electronic clock
- Triple door glazing for safer, cooler door temperatures
- European A Class energy rating
- Removable oven door and inner door glass
- Twin fan cavity integrated cooling system
- Concealed grill element
- Precision thermostatic 0°C through to 250°C
- Two Year Warranty
- Colour: Stainless Steel



80cm Built-in Gas Oven  
 Model: 800LVG  
 Total gas consumption: 25Mj/h  
 Total electrical load: 2.4K/w, 10 AMP GPO  
 Cut out - hole dimensions: 760mm x 585mm



**BUILT-IN GAS OVEN**  
 For correct operation of the oven, ensure that there is sufficient circulation of cooling air inside the built-in unit. Installation will be as shown in figures A and B.

Purchase ILVE genuine accessories for this model at the ILVE online store – [www.ilve.com.au](http://www.ilve.com.au)

NSW & ACT (Head Office)  
 48-50 Moore Street Leichhardt  
 T 02 8569 4600 F 02 8569 4699

VIC, TAS & SA  
 1211 Toorak Road Camberwell  
 T 03 9809 2122 F 03 9809 2155

QLD  
 1/42 Cavendish Road Coorparoo  
 T 07 3397 0900 F 07 3397 0850

WA & NT  
 Unit 10/55 Howe Street Osborne Park  
 T 08 9201 9299 F 08 9201 9188

#### DISCLAIMER

Eurolinx PTY LTD, trading as ILVE Appliances, is continually seeking ways to improve the design specifications, aesthetics and production techniques of its products. As a result alterations to our products and designs take place continually. Whilst every effort is made to produce information and literature that is up to date, this brochure should not be regarded as an infallible guide to the current specifications, nor does it constitute an offer for the sale of any particular product. Product dimensions indicated in our literature is indicative only. Actual product only should be used to define dimension cutouts. Distributors, and retailers are not agents of ILVE Appliances and are not authorized to bind ILVE Appliances by any express or implied undertaking or representation.