

Not just beautiful, smart.

**BLANCO**

## BOSE752X – 75cm, Multifunction Single Oven



### Model Code

BOSE752X

### Description

75cm Multifunction Oven, 8 cooking functions, fully programmable

### Included Accessories

- 2 x wire racks
- 1 x enamel baking/grill pan
- 1 x grill rack insert
- 1 x grill handle
- Catalytic liners – sides and rear
- Stainless steel fan filter

### Warranty

BLANCOCare™ 2 years parts & labour

## Features

## Benefits

**Multifunction oven with 8 functions**

Multiple cooking options to suit all of your culinary needs

**BLANCOGuard™ - Finger mark protective coating on stainless steel**

Resists finger marks and is easy to clean by wiping over with a damp cloth. Keeps your oven looking newer for longer!

**Triple Glazed door**

Well ventilated and triple glazed features makes this door cooler to touch, which gives you peace of mind

**Twin lights**

Enhanced illumination of the interior makes it easy to check on cooking progress without opening the door

**Drop Down Grill**

Easy access to the top of the oven means that you can get the most out of cleaning your oven

**Red LED**

Easy to read LED display

**Catalytic Liners**

Situated on the sides and the rear of the oven these self cleaning liners minimise the time spent cleaning your oven.

**Full inner glass door**

Easy to remove and clean glass.

## Specifications

### BOSE752X – 75cm, Multifunction single oven

Method of installation: Wall mounted or under bench

Dimensions: 598H x 748W x 565Dmm

Flushmount Cut-out Size: 602H x 752W x 560D mm

Power requirement: 2.9 kW (15Amp power cord fitted)

Temperature selection: 50 - 250°C

Oven Functions: Fan Forced, Fan Grill, Full Grill, Fan Assist, Traditional Option, Bottom Element Fan (bakers function), Defrost, Light

Oven capacity: 76 litres

#### Main Oven Elements:

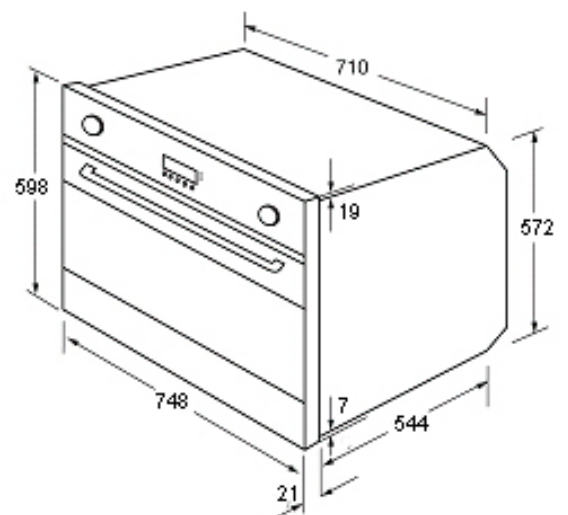
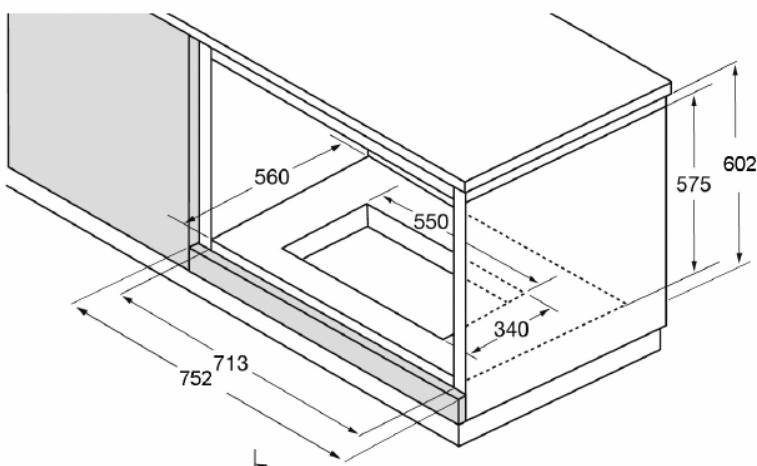
Oven element: 2600W (Fan)

Upper element: 1100W

Lower element: 1500W

Grill element: 2400W

Electronic programmer: 23 hrs 59 mins (max time)



Not just beautiful, smart.

**BLANCO**