

BLANCO



Performance First

Instructions for the Use and Care and Installation of

BRC30X

Rangehood

Dear Customer

You will find that the modern look of your **Blanco** rangehood blends in perfectly with your kitchen décor. It is easy to use and performs to a high standard.

Blanco also makes a range of products that will enhance your kitchen – such as cooktops, ovens, dishwashers, microwaves, sinks and taps. There are models to complement your new Blanco rangehood. Blanco now has a range of laundry products to choose from.

Of course, we make every effort to ensure that our products meet all your requirements, and our Customer Service Department is at your disposal, to answer your questions and to listen to your suggestions.

Please complete the warranty section of this manual and keep your receipt as proof of purchase. Retain all documents relating to the purchase of Blanco product.

Blanco is committed to providing increasingly efficient products that are easy to use, respect the environment and are attractive and reliable.

BLANCO

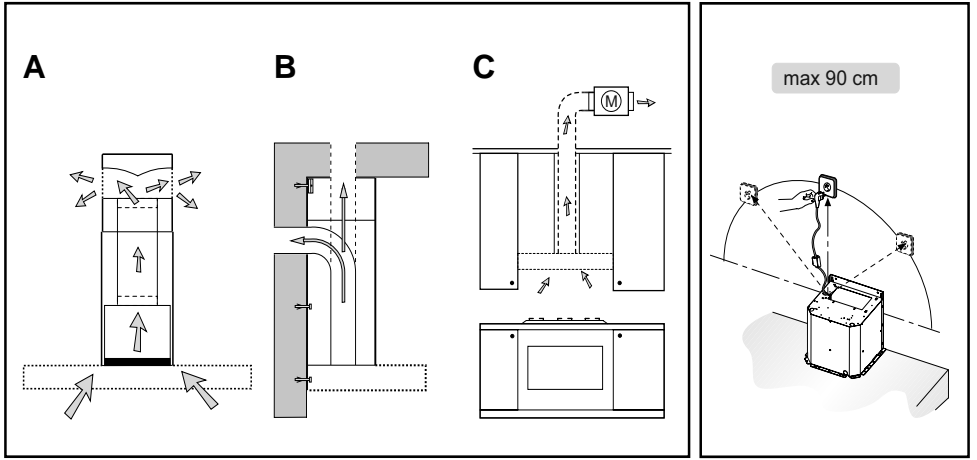


Fig.1

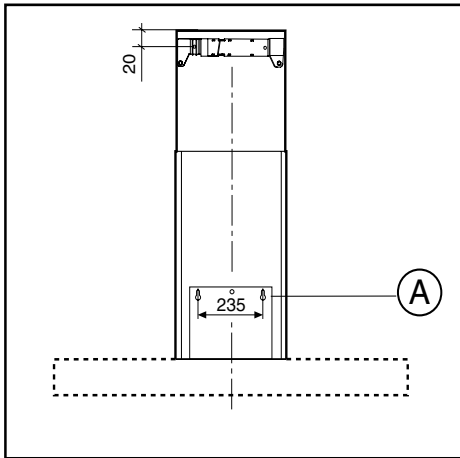


Fig.2

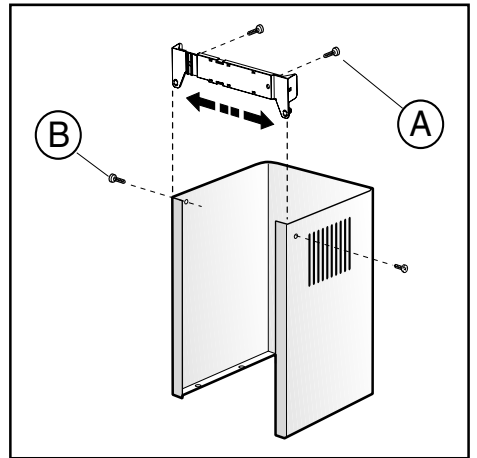


Fig.3

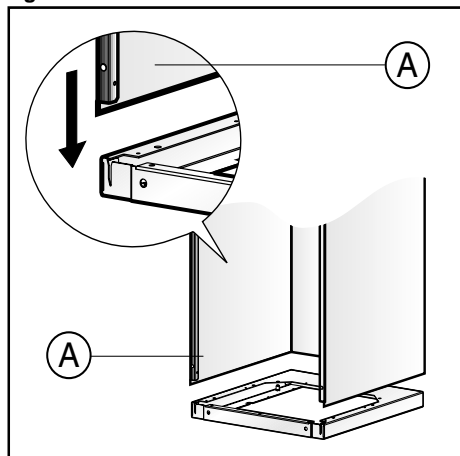


Fig.4

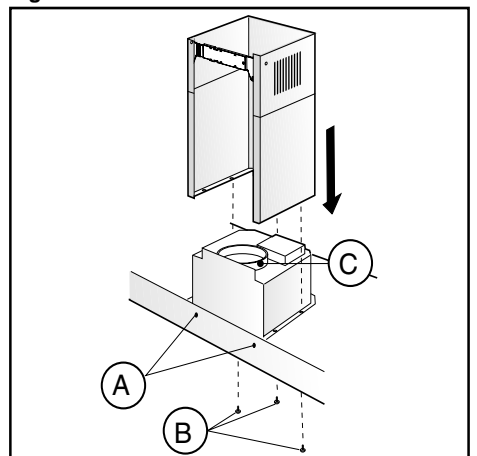


Fig.5

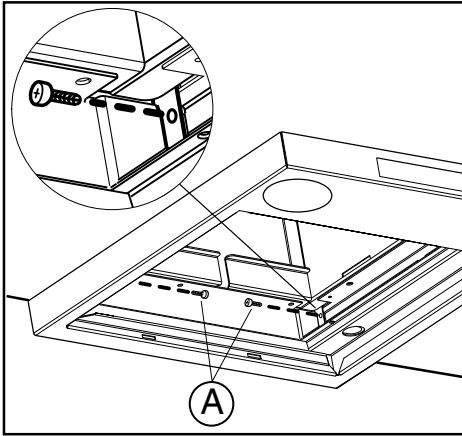


Fig.6

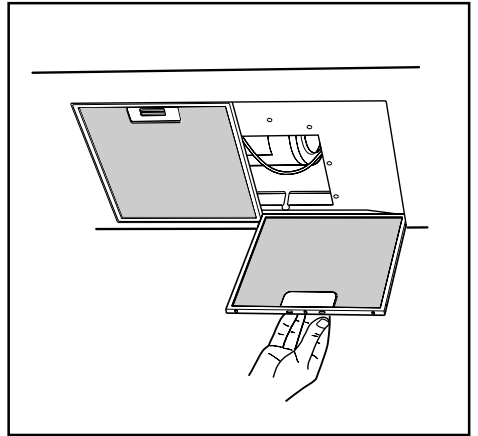


Fig.7

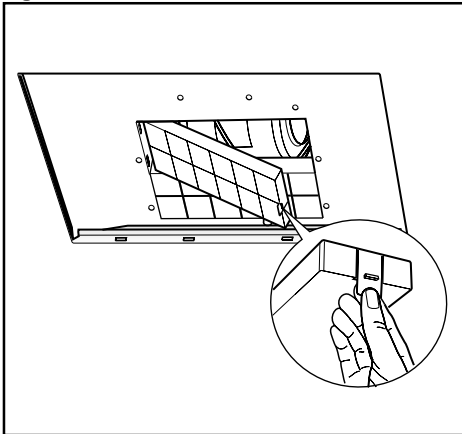


Fig.8

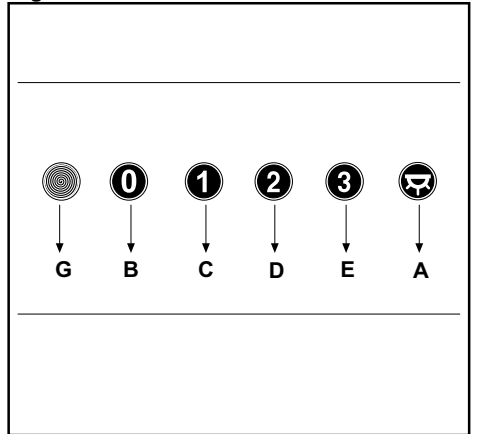


Fig.9

GENERAL

Carefully read the following important information regarding installation safety and maintenance. Keep this information booklet accessible for further consultations. The appliance has been designed for use in the ducting version (air exhaust to the outside – Fig.1B) or with external motor (Fig.1C).

SAFETY PRECAUTION

1. Take care when the cooker hood is operating simultaneously with an open fireplace or burner that depend on the air in the environment and are supplied by other than electrical energy, as the cooker hood removes the air from the environment which a burner or fireplace need for combustion. The negative pressure in the environment must not exceed 4Pa (4x10⁻⁵ bar). Provide adequate ventilation in the environment for a safe operation of the cooker hood. Follow the local laws applicable for external air evacuation.

General Warnings.


- The appliance is not intended for use by young children or infirm persons without supervision.
- Young children should be supervised to ensure that they do not play with the appliance.
- If the supply cord is damaged, it must be replaced by the manufacturer or its service agent or a similarly qualified person in order to avoid a hazard.
- There shall be adequate ventilation of the room when the range hood is used at the same time as appliances burning gas or other fuels.
- Ensure that the range hood is cleaned frequently.
- There is a risk of fire if cleaning is not carried out in accordance with the instructions.
- Do not flambé under the range hood.

Warnings for Installation:

- The exhaust air must not be discharged into a flue which is used for exhausting fumes from appliances burning gas or other fuels.
- The minimum distance from the hob surface and the lowest part of the range hood must not be less than 65cm. If the instructions for the hob specify a greater distance, please consider this.
- The regulations concerning the discharge of exhaust air have to be fulfilled.

Exercise care when a rangehood is installed in an area where a gas burner is operating. Depending on the size of the room, the rangehood may draw from the room air that is necessary for proper combustion of the burner. All Blanco rangehoods are used for indoor application only

This appliance conforms to the European Directive EC/2002/96, Waste Electrical and Electronic Equipment (WEEE). By making sure that this appliance is disposed of in a suitable manner, the user is helping to prevent potential damage to the environment or to public health.

The  symbol on the product or on the accompanying paperwork indicates that the appliance should not be treated as domestic waste, but should be delivered to a suitable electric and electronic appliance recycling collection point. Follow local guidelines when disposing of waste. For more information on the treatment, re-use and recycling of this product, please contact your local authority, domestic waste collection service or the shop where the appliance was purchased.

INSTALLATION INSTRUCTIONS

Electric Connection

The appliance has been manufactured as a class II, therefore no earth cable is necessary.

The connection to the mains is carried out as follows:

BROWN = L line

BLUE = N neutral

If not provided, connect a plug for the electrical load indicated on the description label. Where a plug is provided, the range hood must be installed in order that the plug is easily accessible.

An omnipolar switch with a minimum opening of 3mm between contacts, in line with the electrical load and local standards, must be placed between the appliance and the network in the case of direct connection to the electrical network.

- The minimum distance between the support surfaces of the cooking pots on the cook top and the lowest part of the range hood must be at least 65 cm. If a connection tube composed of two parts is used, the upper part must be placed outside the lower part. Do not connect the range hood exhaust to the same conductor used to circulate hot air or for evacuating fumes from other appliances generated by other than an electrical source. Before proceeding with the assembly operations, remove the anti-grease filter(s) (Fig.7) so that the unit is easier to handle.

In the case of assembly of the appliance in the suction version prepare the hole for evacuation of the air.

• FIXING TO THE WALL

Drill the holes **A** as per the distances indicated (Fig.2). Fix the appliance to the wall and align it in horizontal position to the wall units. When the appliance has been adjusted, definitely fix the hood using the screws **A** (Fig.5).

For the various installations use screws and screw anchors suited to the type of wall (e.g. reinforced concrete, plasterboard, etc.). If the screws and screw anchors are provided with the product, check that they are suitable for the type of wall on which the hood is to be fixed.

• FIXING THE DECORATIVE TELESCOPIC FLUE

Arrange the electrical power supply within the dimensions of the decorative flue. If your appliance is to be installed in the ducting version or in the version with external motor, prepare the air exhaust opening. Adjust the width of the support bracket of the upper flue (Fig.3). Then fix it to the ceiling using the screws **A** (Fig.3) in such a way that it is in line with your hood and respecting the distance from the ceiling indicated in Fig.2. Connect the flange **C** to the air exhaust hole using a connection pipe (Fig.5). Insert the upper flue into the lower flue. Fix the lower flue to the hood using the screws **B** provided (Fig.5), extract the upper flue up to the bracket and fix it with the screws **B** (Fig.3). If your appliance has the lower connections indicated as in Fig. 4 A, the fixing to be carried out is that shown in Fig. 6.

• RECIRCULATING FILTERING VERSION

Install the hood and the two flues as described for installation of the hood in ducting version. To assemble the filtering flue refer to the instructions contained in the kit provided. Charcoal filters can be fitted in the ducting unit located inside the hood (Fig.8). Filter can be purchased as an accessory, part number ACK62260.

Additional Installation Notes.

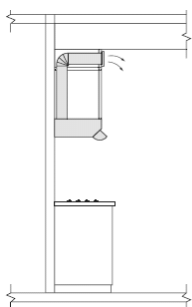
Rangehoods may be ducted in two ways:

1. Ducted to the atmosphere (outside).
2. Recirculating.

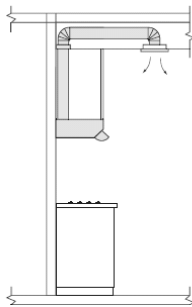
We recommend ducting to the atmosphere to ensure optimum performance. Recirculating the air back into the room should only be used when outside extraction is not possible. To ensure maximum performance when ducting it is important the ducting that carries the fumes away, be as short and as straight as possible.

When incorporating a rangehood in the design of a kitchen the following points need to be considered to achieve the most benefit from the rangehood.

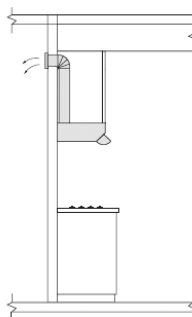
1. Ducting from a rangehood carrying the exhaust air, should not exceed a length of three (3) metres.
2. For ducted installation we recommend using galvanised or similar metal type flue pipe. PVC pipe is not recommended.
3. Ducting containing a 90° degree bend will encounter a loss in efficiency of approximately 35%. Additional 90° degree bends can cause losses of up to 15% per bend.
4. Ducting size should always comply with the manufacturers specification.
5. We recommend carbon filters be used when re-circulating the air into the room. There will be some loss of air movement when carbon filters are fitted.



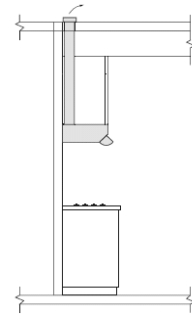
Recirculated to kitchen area via bulkhead



Recirculated to kitchen area via ceiling cavity



Ducted to atmosphere through wall



Ducted to atmosphere through roof

USE AND MAINTENANCE

- It is recommended to operate the appliance prior to cooking.

It is recommended to leave the appliance in operation for 15 minutes after cooking is terminated in order to minimise cooking vapours and odours.

The proper function of the cooker hood is conditioned by the regularity of the maintenance operations, in particular, the active carbon filter.

- The aluminium grease filters capture the grease particles suspended in the air. The filters are therefore subject to clogging according to the frequency of the use of the appliance.

In order to prevent a fire hazard, it is recommended to clean the filters every 2 months by carrying out the following instructions:

- Remove the aluminium filters from the range hood and wash them in a solution of water and neutral liquid detergent, leave to soak.

- Rinse thoroughly with warm water and leave to dry.

- The filters may also be washed in the dishwasher.

The aluminium filters may alter in colour after several washes. This is not cause for customer complaint nor replacement of panels.

- Clean the fan and other surfaces of the range hood regularly using a cloth moistened with mentholated spirits or non abrasive liquid detergent.

• The active carbon filters purify the air that is replaced in the environment. The filters are not washable or reusable and must be replaced at a maximum every four months. The saturation of the active carbon filter depends on the frequency of use of the appliance, by the type of cooking and the regularity of the cleaning of the aluminium filters.

• The lights are designed to be used during cooking – not for prolonged general illumination of the environment. Prolonged use of the lights will reduce the duration of the bulb.

REPLACING THE GLOBE.

- Remove the aluminium filters from the range hood.
- Un-screw the globe.
- Replace the globe.
- Re-install the aluminium filters.

Globe: Tubular E14 40Watts 240volts

Controls: (Fig.9 B) **MECHANICAL** the key symbols are explained below:

A = LIGHT

B = OFF

C = SPEED I

D = SPEED II

E = SPEED III

G = MOTOR WORKING indicator.

THE MANUFACTURER DECLINES ALL RESPONSIBILITY FOR EVENTUAL DAMAGES CAUSED BY BREACHING THE ABOVE WARNINGS.

Blanco Contact Information.

NEW SOUTH WALES

Head Office, Sales & Marketing Office

104 Vanessa Street

Kingsgrove NSW 2208

Telephone: 02 9503 2888

Facsimile: 02 9503 2810

NSW Showroom*

40 Ebley Street

Bondi Junction NSW 2022

Telephone: 02 9386 1190

Facsimile: 02 9386 1671

Agent and Sales Office.

Hi –Performance Marketing

7 Coleman Street

Mascot NSW 2020

Telephone: 02 88354937

Facsimile: 02 90048739

Service and Spare Parts

All General Whitegoods Service

Telephone: 02 8788 8666

Facsimile: 02 9756 1091

AUSTRALIAN CAPITAL TERRITORY

Service and Spare Parts

Detlevs Appliance & Electrical Care

1/88 Sheppard Street

Hume

ACT 2905

Telephone: 02 6280 1033

Facsimile: 02 6260 1035

VICTORIA

State Office and Showroom*

35 Centre Road

Scoresby VIC 3179

Telephone: 03 8756 7888

Facsimile: 03 8756 7907

Service and Spare Parts

Advantage Appliances

Telephone: 03 9874 4222

Facsimile: 03 9874 6917

QUEENSLAND

State Office and Showroom*

148 Robinson Road - East

Geebung

QLD 4034

Telephone: 07 3259 2555

Facsimile: 07 3265 6933

Endeavour Appliances

Telephone: 07 3872 7444

Facsimile: 07 3852 2465

Platinum Appliance Service

Telephone: 07 3862 1154

Facsimile: 07 3862 1114

Roshad (Gold Coast)

Telephone 07 5535 7044

Facsimile 07 5535 7407

SOUTH AUSTRALIA & NORTHERN TERRITORY

Agent and Sales Office

S C Lighting & Electrical Supplies

47 North Terrace

Hackney SA 5069

Telephone: 08 8362 4599

Facsimile: 08 8362 4591

Service and Spare Parts

Prestige Appliance Repair Centre

Telephone: 08 8352 2022

Facsimile: 08 8352 3044

WESTERN AUSTRALIA

1 Alvan Street

SUBIACO WA 6008

Telephone: 08 9382 1161

Service and Spare Parts

Metropolitan Appliance Repairs

Telephone: 08 9330 1724

Facsimile: 08 9317 1296

TASMANIA

Agent and Sales Office

Mark Pearce Agencies

23 Tranmere Road

Howrah TAS 7018

Tel/Fax: 03 6247 9215

Service and Spare Parts

Electrical Equipment Service (Launceston)

Telephone: 03 6339 3873

Facsimile: 03 6339 4588

Baldocks Appliance Service (Hobart)

Telephone: 03 6234 5995

Facsimile: 03 6234 8134

BLANCO CUSTOMER SERVICE

1300 739 033

Website: www.meaappliances.com.au

* Showrooms open six days a week

