

BLANCO

Instructions for the Use and Care and Installation of

BRSR60X

Range Hood



Dear Customer

You will find that the modern look of your **Blanco** rangehood blends in perfectly with your kitchen décor. It is easy to use and performs to a high standard.

Blanco also makes a range of products that will enhance your kitchen – such as cooktops, ovens, dishwashers, microwaves, sinks and taps. There are models to complement your new Blanco rangehood. Blanco now has a range of laundry products to choose from.

Of course, we make every effort to ensure that our products meet all your requirements, and our Customer Relations Department is at your disposal, to answer all your questions and to listen to all your suggestions.

Please complete the warranty section of this manual and keep your receipt as proof of purchase. Retain all documents relating to the purchase of Blanco product.

Blanco is committed to providing increasingly efficient products that are easy to use, respect the environment and are attractive and reliable.

BLANCO

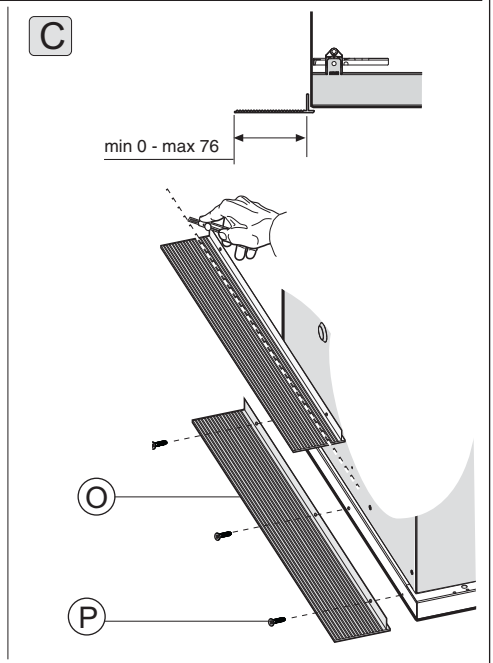
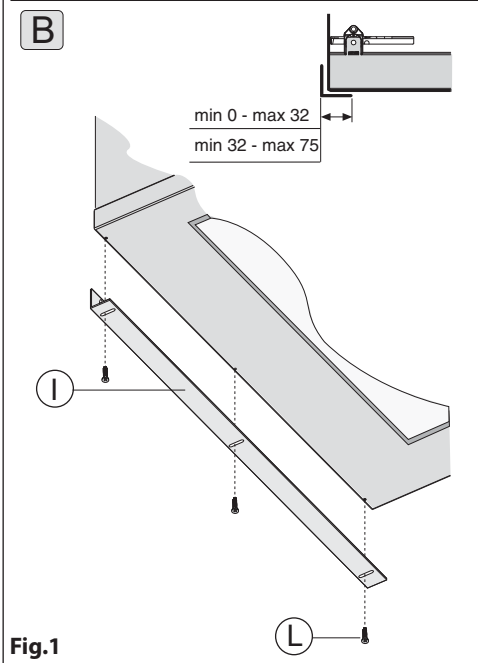
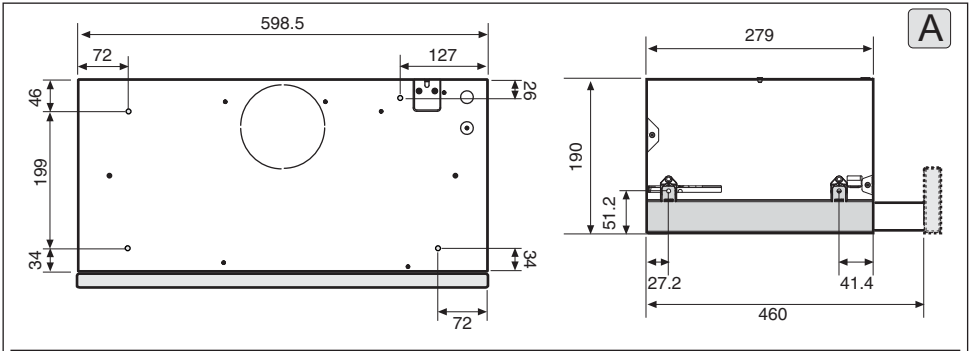
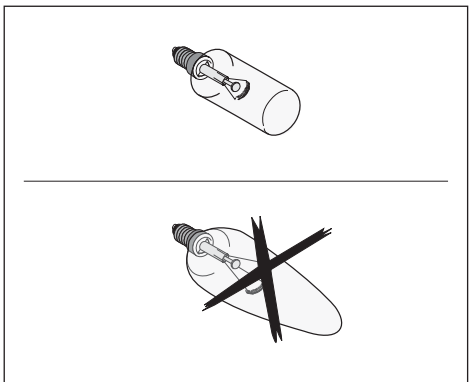
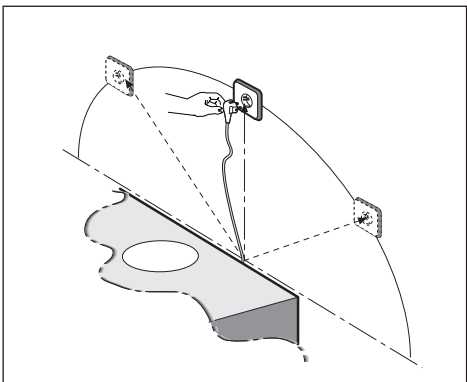
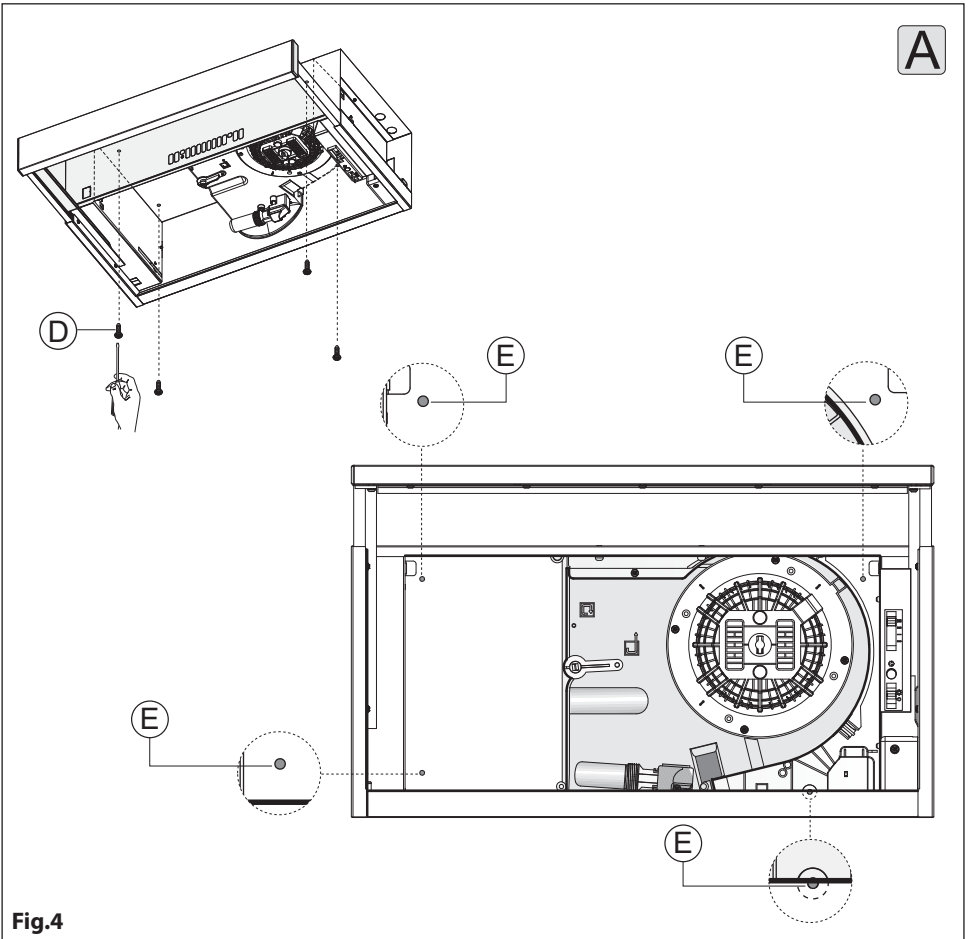
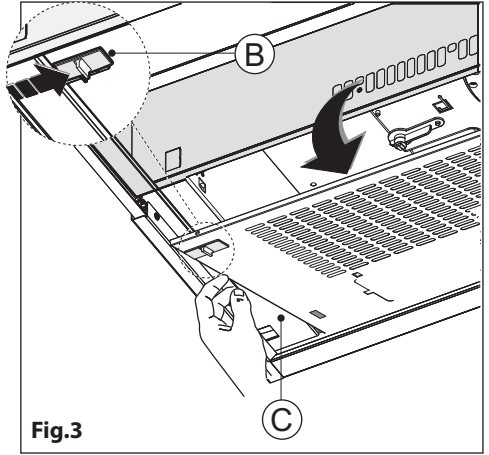
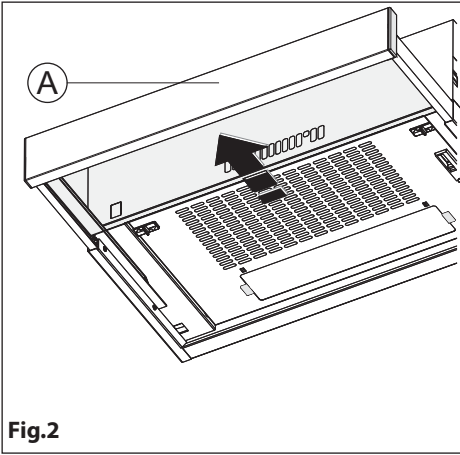
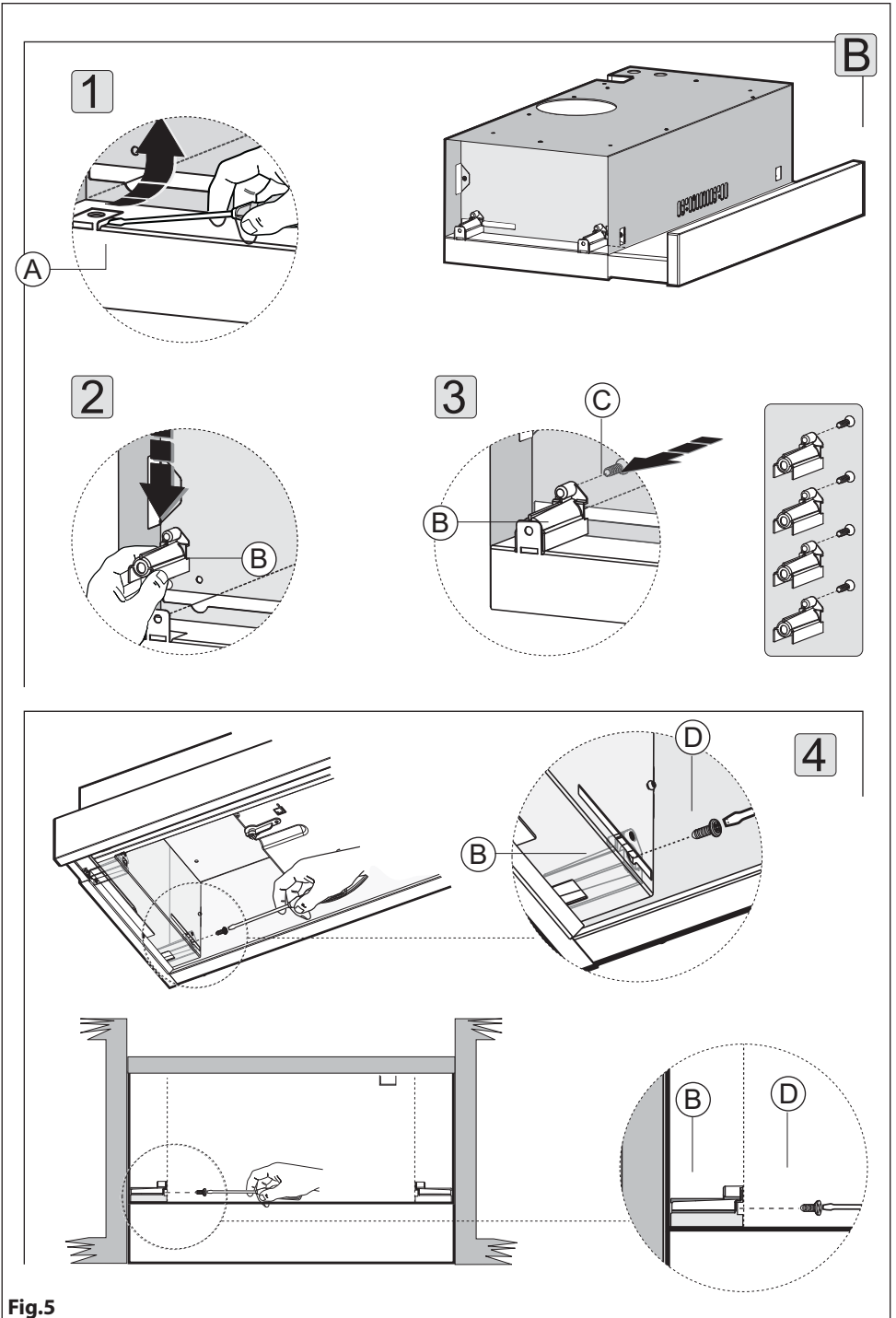


Fig.1







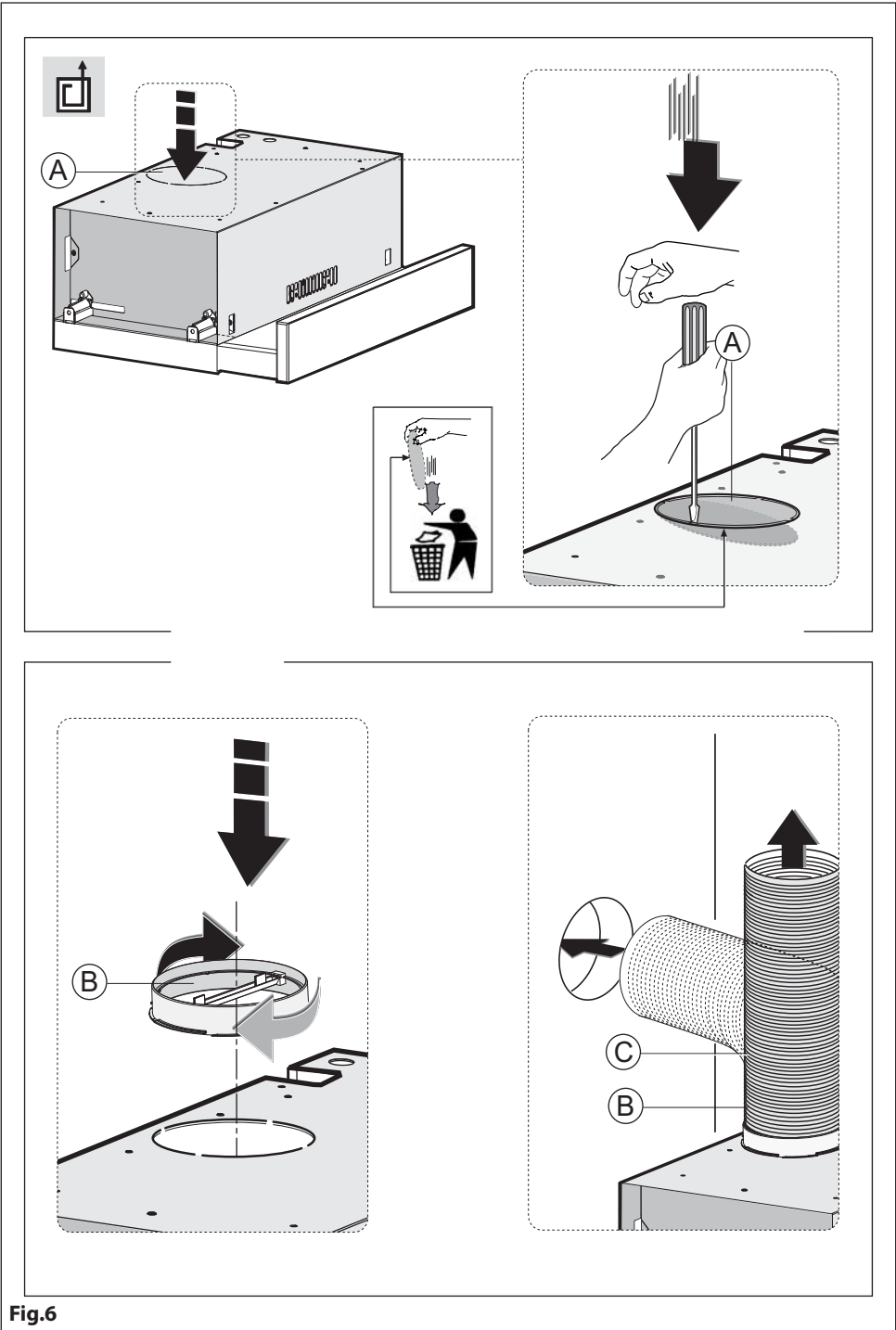


Fig.6

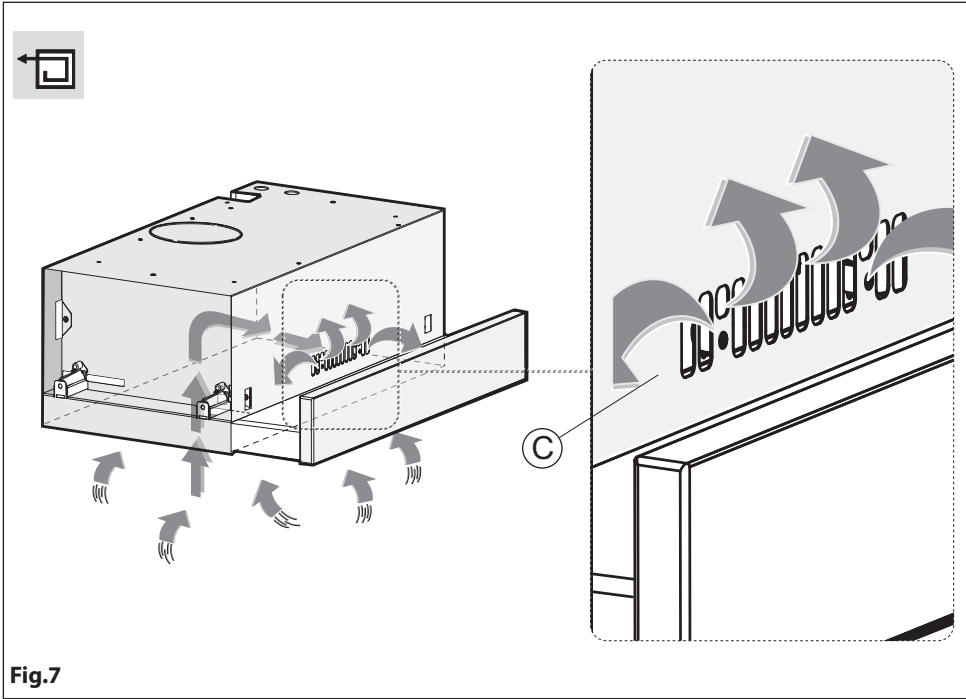


Fig.7

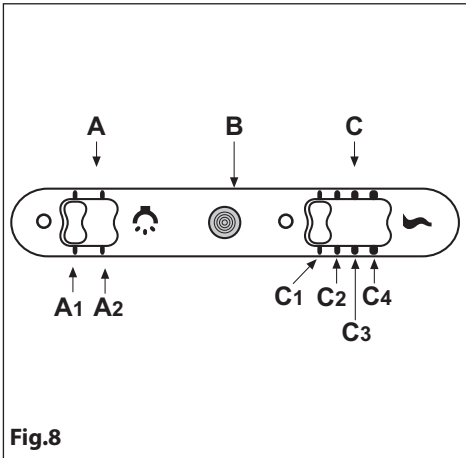


Fig.8

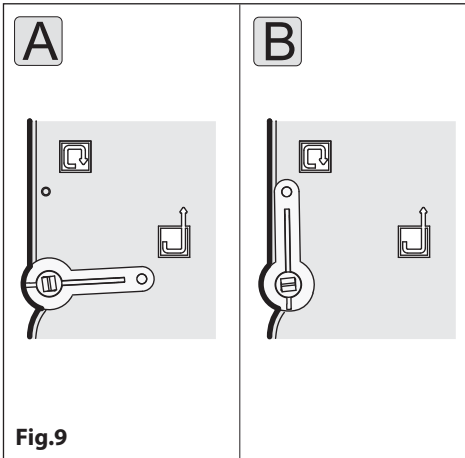


Fig.9

• **General Warnings:**

- The appliance is not intended for use by young children or infirm persons without supervision.
- Young children should be supervised to ensure that they do not play with the appliance.
- If the supply cord is damaged, it must be replaced by the manufacturer or its service agent or a similarly qualified person in order to avoid a hazard.
- There shall be adequate ventilation of the room when the rangehood is used at the same time as appliances burning gas or other fuels.
- Ensure that the range rangehood is cleaned frequently.
- There is a risk of fire if cleaning is not carried out in accordance with the instructions.
- Do not flambé under the range rangehood.

• **Warnings for Installation:**

- The exhaust air must not be discharged into a flue that is used for exhausting fumes from appliances burning gas or other fuels.
- The minimum distance from the hob surface and the lowest part of the range rangehood must not be less than 60cm. If the instructions for the hob specify a greater distance, please consider this.
- The regulations concerning the discharge of exhaust air have to be fulfilled.
- Exercise care when the rangehood is installed in an area where a gas burner is operating. Depending on the size of the room, the rangehood may draw from the room air that is necessary for proper combustion of the burner. All Blanco rangehoods are used for indoor application only.

GENERAL

Carefully read the following important information regarding installation safety and maintenance. Keep this information booklet accessible for further reference. The appliance has been designed for use in the ducting version (air exhaust to the outside), filtering recirculating version (air circulation on the inside).

INSTALLATION INSTRUCTIONS

Before connecting the rangehood to the electricity network:

- Refer to the data plate (positioned inside the appliance) to ascertain that the voltage and power correspond to the network and the socket is suitable. If in doubt ask a qualified electrician.
- If the power supply cable is damaged, it must be replaced with another cable of the same specification.
- Assembly and electrical connections must be carried out by a qualified tradesperson / electrician.

This product may be installed in 2 different ways:

Type A installation (fig. 4)

- Installing the rangehood to the lower part of the wall cabinet.

Type B installation (fig. 5)

- Installing the rangehood between two wall cabinets
 - Installing the rangehood to the lower part of the wall cabinet (fig. 4A)
- This type of appliance must be positioned underneath the cabinet; before installation the front panel of the rangehood must be aligned with the cabinet and fixed in place by tightening the 4 screws D (suited to the type of cabinet) in the corresponding holes E (fig. 4) (please refer to the measurements indicated in fig. 1).
- Installing the rangehood between two wall cabinets (fig.5B)

The following procedures must be performed before the rangehood is installed: 1. Lift the 4 side tabs on the rangehood as indicated in figure 5.1.2. Take the screw guides B out of the pack supplied and position them in corresponding two holes (perside) on the rangehood, as indicated in figure 5.2.3. Fix the guides B using the screws supplied C, as indicated in figure 5.3. Make the holes in the side panel of the cabinet, according to the measurements indicated in fig. 1 and taking the thickness of the front panel into account so that the rangehood remains at the same level as the cabinets at the side. Fix the rangehood to the cabinet by inserting the screws D (suited to the type of cabinet) into the holes corresponding to the guides B, as indicated in figure 5.4.

Fitting the spacers.

To fill in any space remaining between the rangehood and the wall, simply position spacer and fix in place with the 3 screws L as indicated in figure 1

- If the rangehood is set up as a ducting version (air exhaust to the outside) the lever D must be positioned as indicated in figure 9A.
- If the rangehood is set up as a filtering recirculating version (air circulation on the inside) the lever D must be positioned as indicated in figure 9B.

• Filter version

This model is supplied with a carbon filter fitted (for recirculating installation). Remove if the rangehood is ducted. Vapours and odours filtered through the hood re-enters the room through the vents (fig 7). When changing the active carbon filters centre them and rotate 90 degrees until they click into place. To perform this operation, first remove the grill C (fig 3).

• Ducted version

If you wish to duct the rangehood, first remove the press-fit lid A located above the bodywork, as indicated in (fig 6). Take flange B and connect it to the air outlet hole (fig. 6). When installed in this way the appliance expels fumes outside, either through a perimeter wall or through existing ducting. A flexible, non-flammable air exhaust hose C must be purchased (this hose must comply with all current legislation) and connected to flange B, which is only supplied for the extractor version (fig. 6). Remove the carbon filter.

USE AND MAINTENANCE

- It is recommended to operate the appliance prior to cooking.
- It is recommended to leave the appliance in operation for 15 minutes after cooking to help eliminate cooking vapors and odours.
- It is important to properly maintain the rangehood and the carbon filters to ensure proper function of the rangehood.
- The anti-grease filters capture the grease particles suspended in the air, and are therefore subject to clogging according to the frequency of the use of the appliance. In order to prevent fire hazard, it is recommended to clean the filter every 2 months (as a minimum) by carrying out the following instructions:
 - Remove the filters from the rangehood and wash them in a solution of water and neutral liquid detergent, leaving to soak.
 - Rinse thoroughly with warm water and leave to dry.
 - The filters may also be washed in the dishwasher. The aluminium panels may alter in colour after several washes. This is normal and the filter panels will not need to be replaced.
- The active carbon filters purify the air that is recirculated into the environment. The filters are not washable nor reusable and must be replaced every four months (as a minimum). The saturation of the active carbon filter depends on the frequency of use of the appliance, by the type of cooking and the regularity of cleaning the anti-grease filters.
- Clean the fan and other surfaces of the rangehood regularly using a cloth moistened with denatured alcohol or non abrasive liquid detergent.
- The lighting is designed for use during cooking and not for prolonged general illumination of the environment. Prolonged use of the light notably reduces the duration of the bulb and is generally not recommended.

Replacing the globe.

- Open the anti-grease filter as shown in (fig 3).
- Un-screw the globe.
- Replace the globe.
- Re-install the anti-grease filter.

Globe: Tubular E14 (40Watts 240volts).

Controls: (Fig.8) SLIDER the key symbols are explained below:

- A = Light switch
- A1 = Off position.
- A2 = On position.
- B = Filter saturation warning indicator.
- C = Speed control
- C1 = Off position.
- C2 = Speed 1
- C3 = Speed 2
- C4 = Speed 3

THE MANUFACTURER DECLINES ALL RESPONSIBILITY FOR EVENTUAL DAMAGES CAUSED BY BREACHING THE ABOVE WARNINGS.

Blanco Contact Information.

NEW SOUTH WALES

Head Office, Sales & Marketing Office

104 Vanessa Street
Kingsgrove NSW 2208
Telephone: 02 9503 2888
Facsimile: 02 9503 2810

NSW Showroom*

40 Ebley Street
Bondi Junction NSW 2022
Telephone: 02 9386 1190
Facsimile: 02 9386 1671

Agent and Sales Office.

Hi –Performance Marketing
7 Coleman Street
Mascot NSW 2020
Telephone: 02 88354937
Facsimile: 02 90048739

Service and Spare Parts

All General Whitegoods Service
Telephone: 02 8788 8666
Facsimile: 02 9756 1091

AUSTRALIAN CAPITAL TERRITORY

Service and Spare Parts

Detlevs Appliance & Electrical Care
1/88 Sheppard Street
Hume
ACT 2905
Telephone: 02 6280 1033
Facsimile: 02 6260 1035

VICTORIA

State Office and Showroom*

35 Centre Road
Scoresby VIC 3179
Telephone: 03 8756 7888
Facsimile: 03 8756 7907

Service and Spare Parts

Advantage Appliances
Telephone: 03 9874 4222
Facsimile: 03 9874 6917

QUEENSLAND

State Office and Showroom*

148 Robinson Road - East
Geebung
QLD 4034
Telephone: 07 3259 2555
Facsimile: 07 3265 6933

Endeavour Appliances

Telephone: 07 3872 7444
Facsimile: 07 3852 2465

Platinum Appliance Service
Telephone: 07 3862 1154
Facsimile: 07 3862 1114

Roshad (Gold Coast)
Telephone: 07 5535 7044
Facsimile: 07 5535 7407

SOUTH AUSTRALIA & NORTHERN TERRITORY

Agent and Sales Office

S C Lighting & Electrical Supplies
47 North Terrace
Hackney SA 5069
Telephone: 08 8362 4599
Facsimile: 08 8362 4591

Service and Spare Parts

Prestige Appliance Repair Centre
Telephone: 08 8352 2022
Facsimile: 08 8352 3044

WESTERN AUSTRALIA

1 Alvan Street
SUBIACO WA 6008
Telephone: 08 9382 1161

Service and Spare Parts

Metropolitan Appliance Repairs
Telephone: 08 9330 1724
Facsimile: 08 9317 1296

TASMANIA

Agent and Sales Office

Mark Pearce Agencies
23 Tranmere Road
Howrah TAS 7018
Tel/Fax: 03 6247 9215

Service and Spare Parts

Electrical Equipment Service (Launceston)
Telephone: 03 6339 3873
Facsimile: 03 6339 4588

Baldocks Appliance Service (Hobart)

Telephone: 03 6234 5995
Facsimile: 03 6234 8134

BLANCO CUSTOMER SERVICE 1300 739 033

Website: www.meappliances.com.au

* Showrooms open six days a week

BLANCO

BLANCO

BLANCO COOKING PRODUCT WARRANTY

STATEMENT OF STANDARD WARRANTY CONDITIONS

1. Subject to the "Statement of Standard Warranty Conditions" this product is covered by the following Warranty.

TWO (2) YEARS WARRANTY from date of purchase, covering all parts and labour.

2. The appliance is warranted under normal single family domestic installation and use, as set out in the instruction manual, against manufacturing defects for the Warranty periods shown above.

3. Should service be required under this Warranty, the purchaser should contact an approved BLANCO Service Provider during their normal business hours.

4. At no time does BLANCO/MEA have liability for any freight or transportation costs or for any damage during transit or for any consequence of failure of this appliance outside of the normal service area, unless such limitation of liability is prohibited by statute.

5. This Warranty excludes replacement of parts required due to normal wear and tear including light globes.

6. This Warranty only applies, provided the appliance has been used in accordance with the manufacturer's instructions and provided an accident, misuse, neglect or abuse has not damaged the appliance.

7. None of the above Warranties purport to exclude, restrict or modify either the application or the exercise of a right conferred by any applicable Statute.

8. Please complete the details below, which should be retained for future reference along with your proof of purchase:

Date of Purchase:

Model No:

Serial No:

1. The Warranty only applies provided that the appliance has been used in accordance with the manufacturer's instructions and provided that the appliance has not been damaged by an accident, misuse, neglect or abuse of any person other than the manufacturer or BLANCO/Major Electrical Appliances ("MEA") or from faulty installation, mis-adjustment or tampering by unauthorised persons.

2. When a service inspection reveals the alleged fault or faults are caused by incorrect operation, contrary to the instruction manual, and otherwise the appliance is in good order and working condition, the purchaser shall be liable for a service fee charged by BLANCO/MEA or one of its' Service Providers.

3. If the appliance is used in Commercial Applications or for Rental purposes, a separate warranty of Twelve (12) months covering all parts with Three (3) months on the labour will apply.

4. Subject to the provisions of any applicable statute this Warranty applies to the original retail purchaser only and is not transferable.

5. Subject to the provisions of any applicable statute, at no time does BLANCO/MEA have liability for freight, transport or travel costs outside normal service areas.

6. None of the above Warranties purport to exclude, restrict or modify either the application or the exercise of a right conferred by any applicable statute.

7. Subject to any Warranties implied by statute, at no time will BLANCO/MEA or its' Service Providers be liable for any economic loss consequent upon the failure of the appliance.

8. This Warranty is only valid for major appliances imported and distributed by BLANCO/MEA, purchased and used in Australia.



Printed on recycled paper

3LIK0525