

90cm 'WMP' Double Electric Oven

D900WMP



Some people cook because they love the art of cooking, others cook because it is an activity that relaxes the tensions of a busy week. Whether you're the former or the latter really doesn't matter, our 60 + 30cm double oven will satisfy both. When was the last time you heard of a professional European oven offering a programmable multifunction oven with a 70 litre cooking capacity and full self cleaning interior including the roof. Now that's an interesting invention and a practical one. Right next to it sits a smaller oven that's not only capable of reaching very high temperatures (for baking or grilling) but very low ones. It's called a "proofing" oven and without question is the perfect environment for bread and pastry to rise.



Pictured: • 900 WMP Oven
• AG90/1 Hood
• H90FCV/X Cooktop

90cm 'WMP' Double Electric Oven

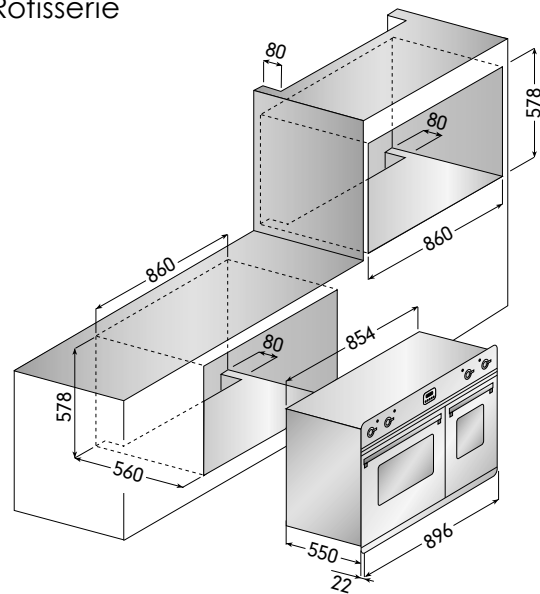
D900WMP



Model D900 WMP

- Select 10 multifunction cooking modes
 - 70 litre oven capacity
 - Easy dismantling of oven interior
 - Easy clean vitreous enamel interior smooth black non staining appearance
 - Recessed full width grill element with removable self cleaning roof
 - Electronic programmable timer
 - Cool touch athermic door handle
 - Control panel and door cooling fan
 - Triple door glazing for safer, cooler door temperatures
 - Catalytic self cleaning system
 - Stainless steel fan fat filter
 - Removable oven door and inner door glass
 - Turbowave cooking, lower temperatures, less food spatter, moister fresher tasting roasts
 - Pizza and bread mode
 - Precision thermostatic control 0°C through to 250°C
 - Quickstart fast preheat time 0°C – 175°C in 6 minutes 30cm Oven
- Select 5 multifunction cooking modes
 - Conventional heated oven
 - 43 litre oven capacity
 - Full width grill element
 - Electric Rotisserie
 - Pastry moisture retention proofing oven
 - Easy dismantling of oven interior
 - Easy clean vitreous enamel interior smooth black non staining appearance
 - Recessed full width grill element with removable self cleaning roof
 - Cool touch athermic door handle
 - Triple door glazing for safer, cooler door temperatures
 - Catalytic self cleaning system
 - Removable oven door and inner door glass
 - Rotisserie

Model D900 WMP
Total electrical load 4.9 kW
Cut out – hole dimension: 860mm x 578mm



Purchase ILVE genuine accessories for this model at the ILVE online store – www.ilve.com.au

NSW & ACT (Head Office)
48-50 Moore Street Leichhardt
T 02 8569 4600 F 02 8569 4699

VIC, TAS & SA
1211 Toorak Road Camberwell
T 03 9809 2122 F 03 9809 2155

QLD
1/42 Cavendish Road Coorparoo
T 07 3397 0900 F 07 3397 0850

WA & NT
Unit 10/55 Howe Street Osborne Park
T 08 9201 9299 F 08 9201 9188

DISCLAIMER

Eurolinx PTY LTD, trading as ILVE Appliances, is continually seeking ways to improve the design specifications, aesthetics and production techniques of its products. As a result alterations to our products and designs take place continually. Whilst every effort is made to produce information and literature that is up to date, this brochure should not be regarded as an infallible guide to the current specifications, nor does it constitute an offer for the sale of any particular product. Product dimensions indicated in our literature is indicative only. Actual product only should be used to define dimension cutouts. Distributors, and retailers are not agents of ILVE Appliances and are not authorized to bind ILVE Appliances by any express or implied undertaking or representation.