

Installation instructions

DishDrawer®

DD60D models

Fisher & Paykel
innovative living

NZ AU GB IE

Important!

SAVE THESE INSTRUCTIONS

The models shown in this document may not be available in all markets and are subject to change at any time. For current details about model and specification availability in your country, please visit our local website listed at the end of this document or contact your local Fisher & Paykel dealer.

① SAFETY AND WARNINGS

⚠ WARNING!

Electrical shock hazard

Before installing the DishDrawer®, remove the house fuse or open the circuit breaker.

This appliance must be earthed. In the event of a malfunction or breakdown, earthing will reduce the risk of electric shock by providing a path of least resistance for electric current. This appliance is equipped with a cord having an equipment-earthing conductor and an earthing plug. The plug must be plugged into an appropriate outlet that is installed and earthed in accordance with all local codes and ordinances. **WARNING-** Improper connection of the equipment-earthing conductor can result in a risk of electric shock. Check with a qualified electrician or service representative if you are in doubt as to whether the appliance is properly earthed.

Do not modify the power supply plug provided with the appliance - if it will not fit the outlet, have a proper outlet installed by a qualified electrician. Do not use an extension cord, adapter plug or multiple outlet box.

Failure to follow this advice may result in electrical shock or death.



⚠ WARNING!

Cut hazard

Take care - panel edges are sharp.

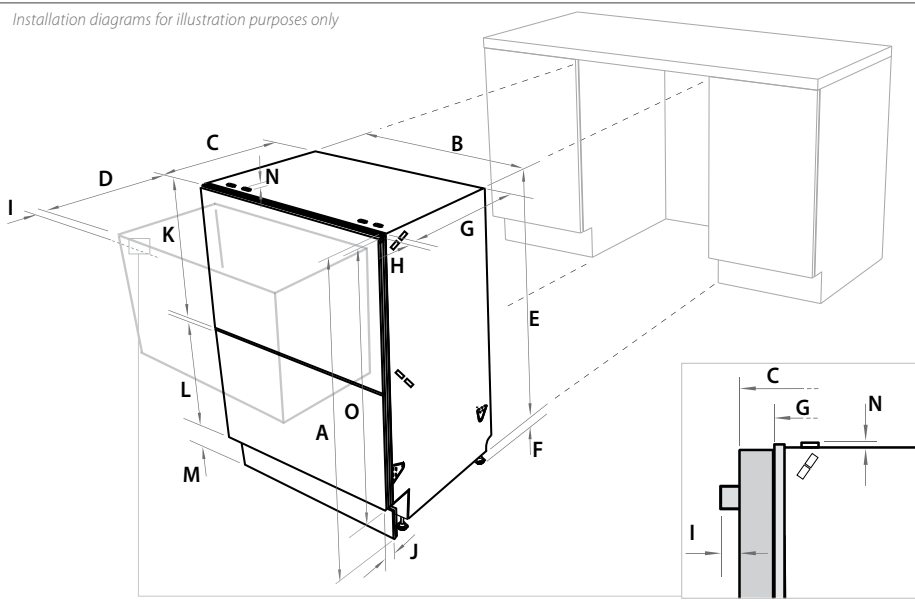
Failure to use caution could result in injury or cuts.



Important safety instructions!

- Installation of this DishDrawer® requires basic mechanical and electrical skills.
- Be sure to leave these Instructions with the Customer.
- Installation must comply with your local building and electricity regulations.
- At the completion of the DishDrawer® installation, the Installer must perform the Final Checklist.
- Remove all packaging materials supplied with the DishDrawer®.
- This DishDrawer® is manufactured for indoor use only.
- Ensure all water connections are turned OFF. It is the responsibility of the plumber and electrician to ensure that each installation complies with all Codes and Regulations.
- The DishDrawer® MUST be installed to allow for future removal from the enclosure if service is required.
- The switched power outlet must be outside the DishDrawer® cavity, so that it is accessible after installation.
- Care should be taken when the appliance is installed or removed to reduce the likelihood of damage to the power supply cord.
- If the DishDrawer® is to be relocated from one installation to another it must be kept upright to avoid damage from water spillage.
- Make sure only new hoses are used for connection (supplied with DishDrawer®). Old hoses should not be reused.
- Failure to install the DishDrawer® correctly could invalidate any warranty or liability claims.
- If the product is installed in a motor vehicle, boat or similar mobile facility, you must bring the vehicle, boat or mobile facility containing the product to the service shop at your expense or pay the service technician's travel to the location of the product.

② PRODUCT DIMENSIONS



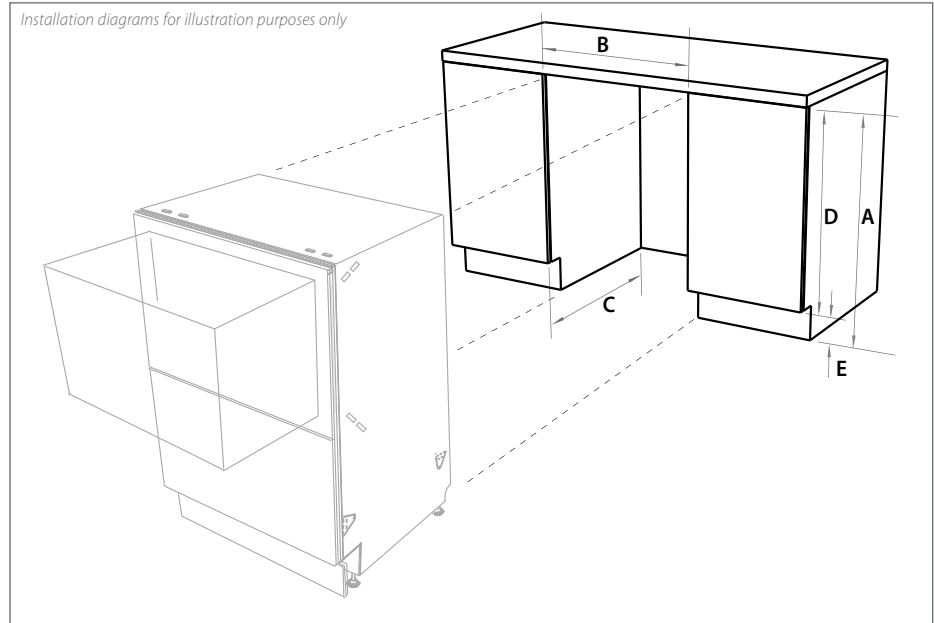
Product dimensions (mm)

	Prefinished LCD DD60D	Prefinished Flat door DD60D	Integrated DD60D
A	overall height* of product	819.5- 879.5	819.5- 879.5
B	overall width of product	599	599
C	overall depth of product (excl. curvature/handle)	570	570
D	depth of drawer (open) (excl. curvature/handle)	538	538
E	height* of chassis	809	809
F	height range of levelling feet	60	60
G	depth of chassis (incl. trimseal)	552	552
H	depth of drawer front panel (excl. curvature/handle)	18	18
I	depth of curvature or handle	11	41
J	depth of toe kick	50 - 65	50 - 65
K	height of upper drawer front	394	398
L	height of lower drawer front	312.5	311.5
M	height of toe kick panel (adjustable)	70 - 120	70 - 120
N	height of installation bracket slots (on top of chassis)	2	2
O	height of drawer fronts	719.5	717.5
			717.5 min

* Chassis heights include bracket slots

** Prefinished 50-65 mm; Integrated 67 mm less the Toe kick Panel thickness (Minimum Panel thickness using the supplied screws is 9 mm). Note: for Prefinished Flat door models, height from top of handle to top of drawer - 64 mm.

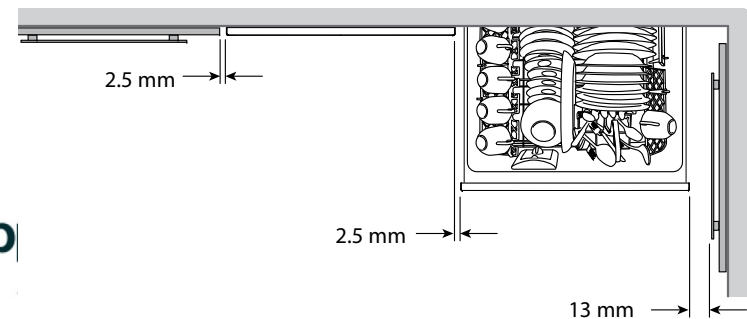
③ CABINETY DIMENSIONS



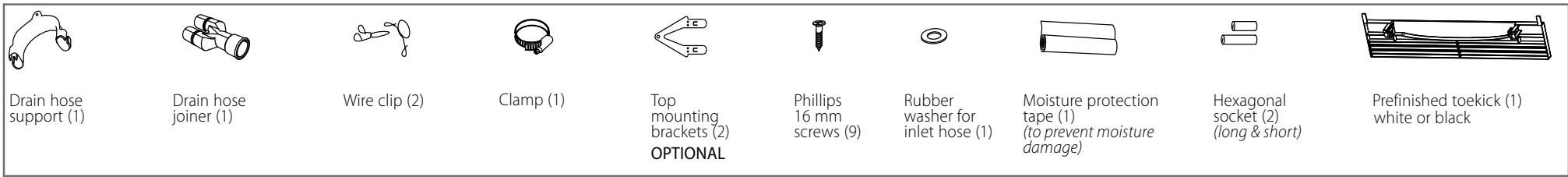
Cabinetry dimensions (mm)

	Prefinished LCD DD60D	Prefinished Flat door DD60D	Integrated DD60D
A	inside height of cavity	820- 882.5	820- 882.5
B	inside width of cavity	600	600
C	inside depth of cavity (inside)	580	580
D	height of adjacent cabinetry	720	min. 720
E	height of toe kick space	100 - 160	100 - 160

Minimum clearances (mm)



4 PARTS SUPPLIED



If the Drain hoses supplied are not long enough to reach your services, you **must** use a Drain Hose Extension Kit P/N 525798 which will extend the drain hoses by 3.6 m. The kit is available from the nearest Fisher & Paykel Authorised Service Centre or our local website listed at the end of this document.

5 CAVITY PREPARATION

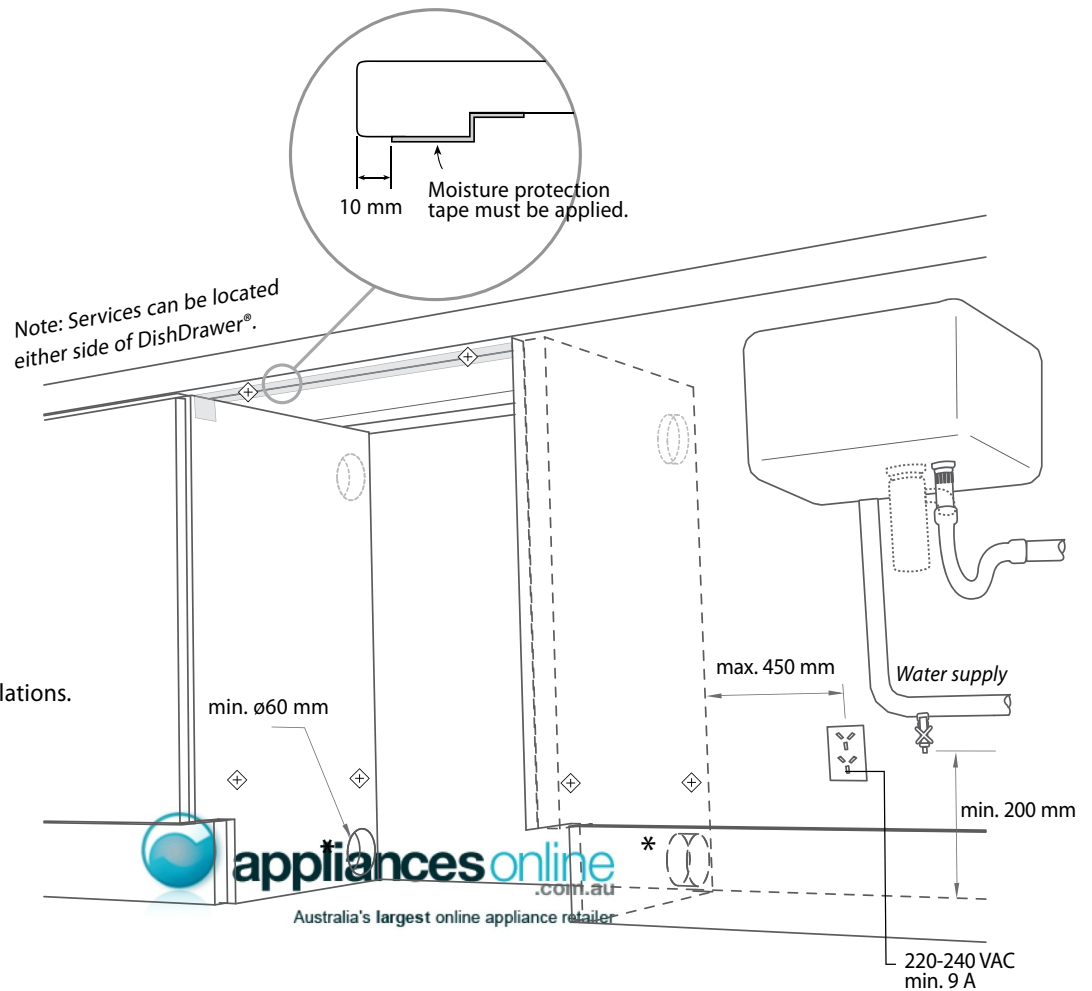
⊕ These marks indicate mounting bracket screw locations

* Preferred position. If adequate clearance, services hole can be higher to clear toekick space. If hole is higher, ensure drain hoses are routed straight into the waste connection.

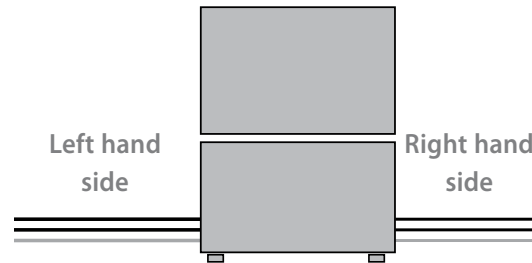
■ **Water Connection**
Recommended **COLD** (Maximum 60°C).
¾" BSP (GB20) to suit flat washer.

Water Pressure	Max	Min
Water softener models	1 MPa (145 psi)	0.1 MPa (14.5 psi)
Other models	1 MPa (145 psi)	0.03 MPa (4.3 psi)

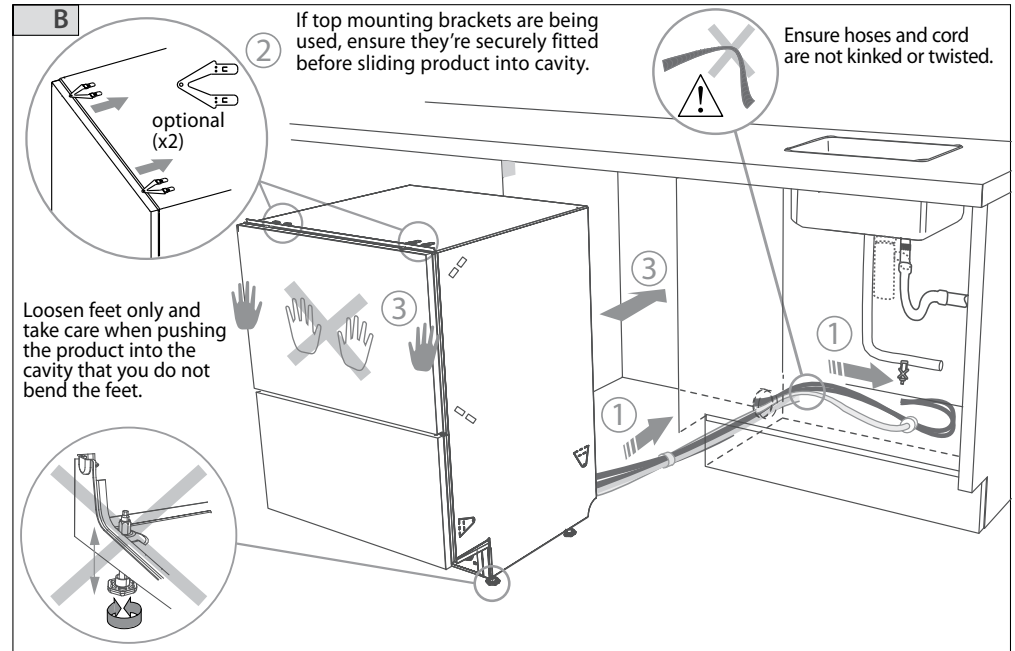
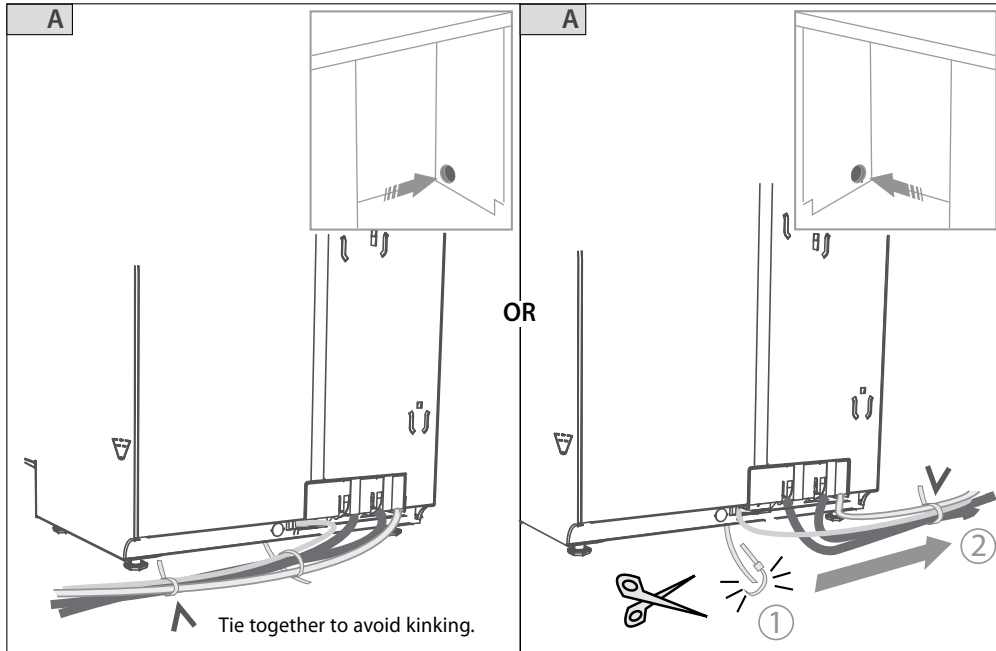
■ Drains will need to be separated to satisfy kosher requirements. We suggest you confirm acceptability with your local rabbi in respect to kosher installations.



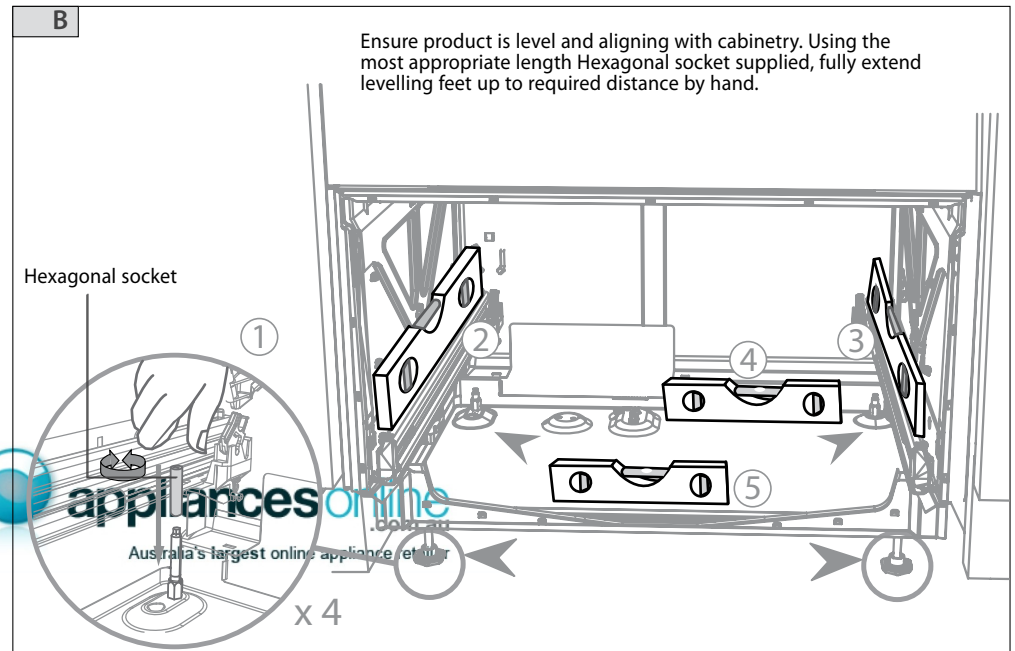
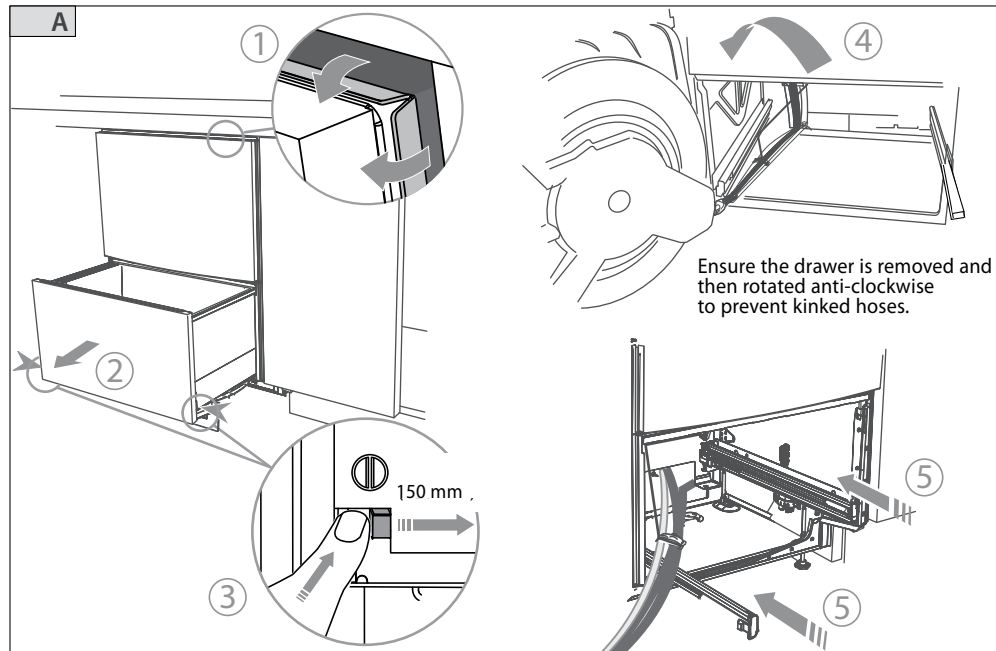
Max. distance of hoses and cord from chassis edge	Left hand side	Right hand side
<i>Drain hose</i>	2000 mm	1800 mm
<i>Inlet hose</i>	1650 mm	1250 mm
<i>Power cord (excl. plug)</i>	1650 mm	1650 mm



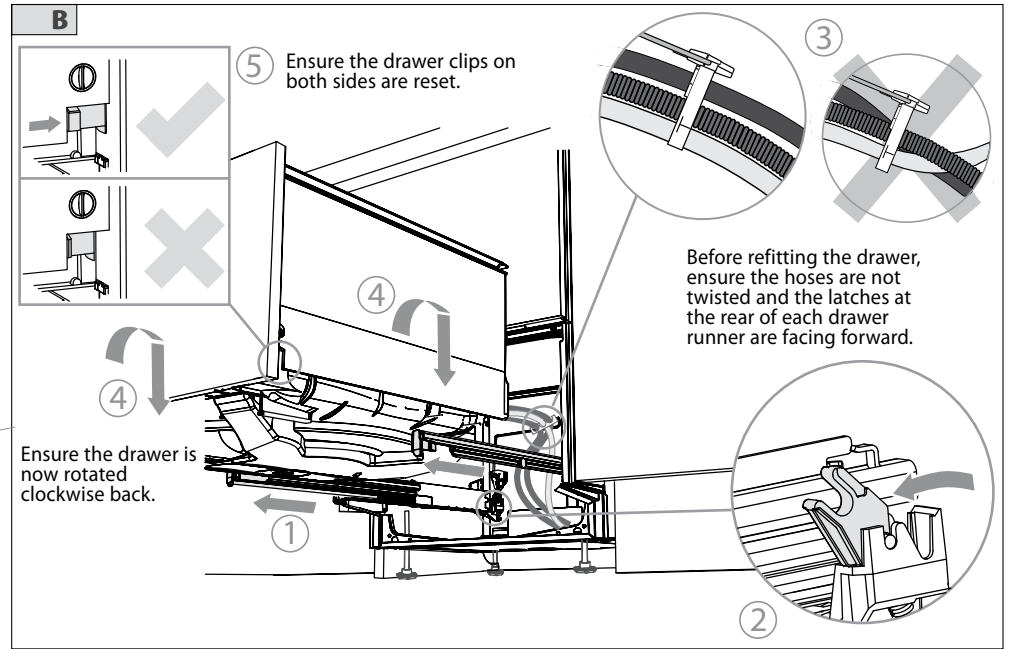
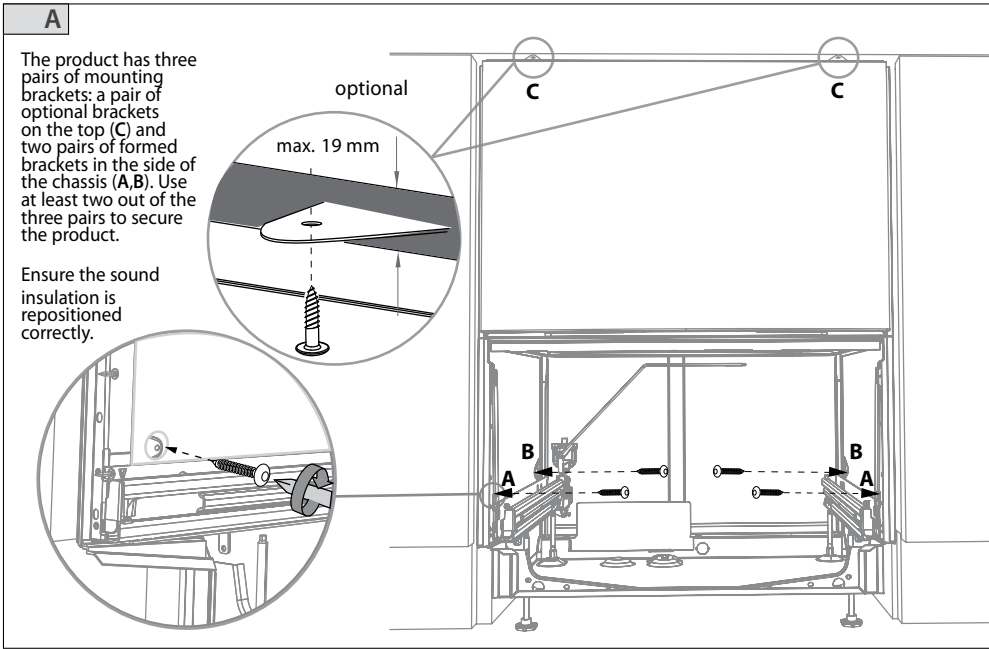
⑥ ROUTE THE HOSES AND MOVE INTO THE CAVITY



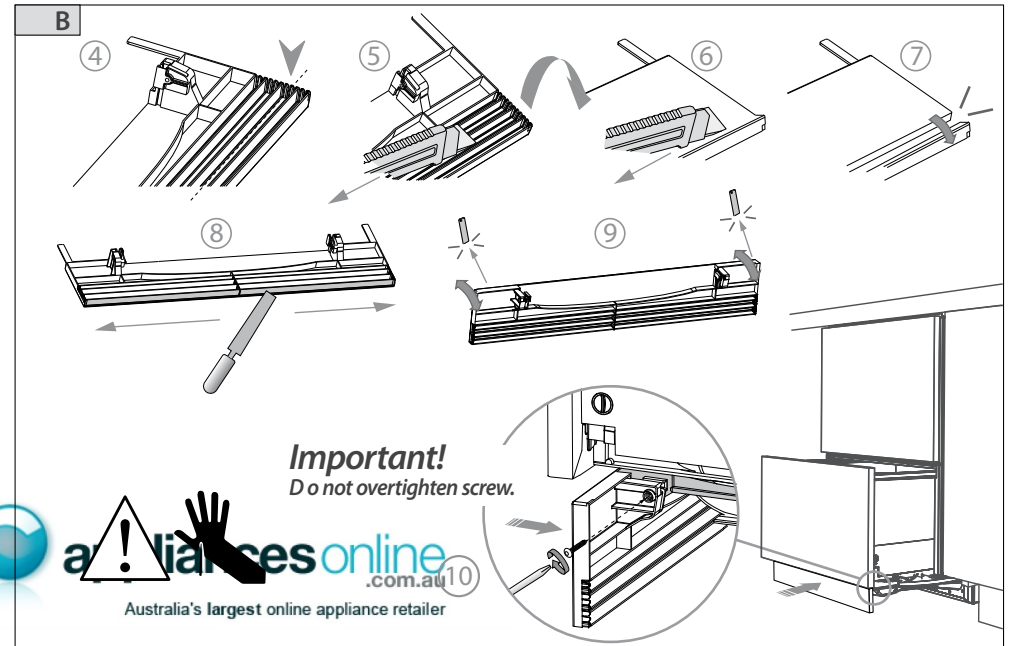
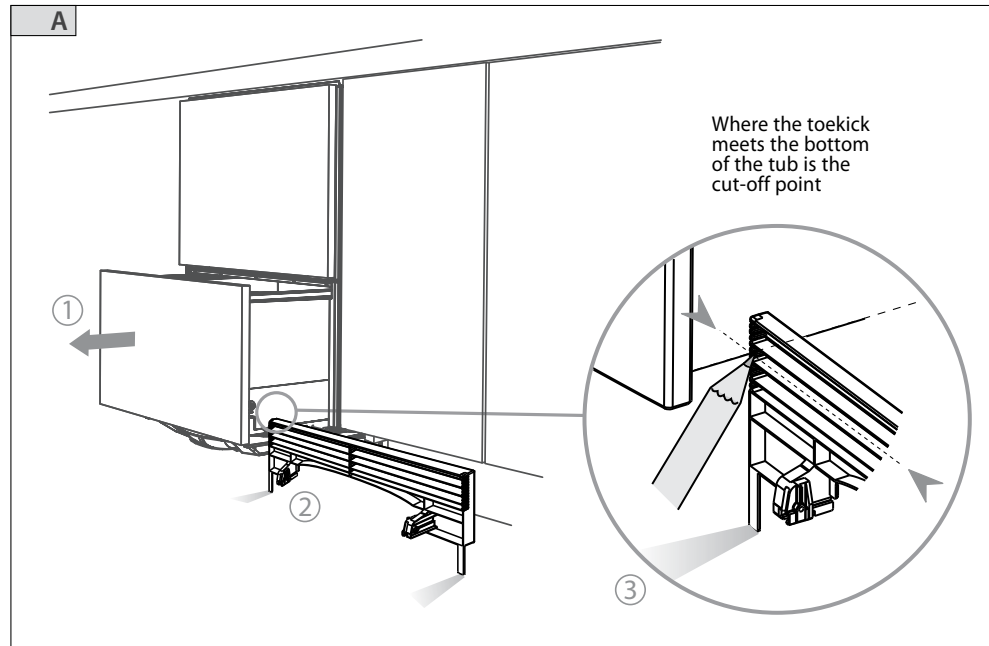
⑦ REMOVE THE DRAWER AND LEVEL THE PRODUCT



8 SECURE THE PRODUCT AND REFIT THE DRAWER



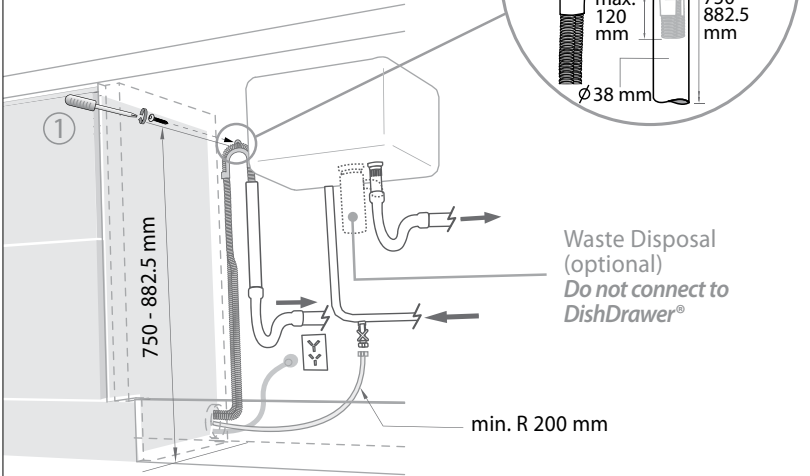
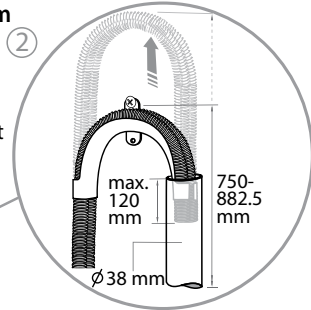
9 FIT THE TOEKICK



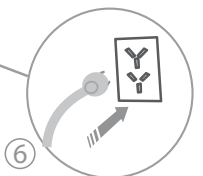
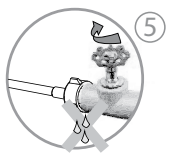
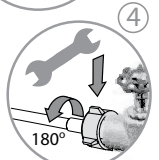
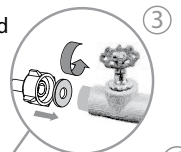
10 PLUMBING AND DRAINAGE OPTIONS

A DishDrawer® and Standpipe Ø 38 mm

If space is limited for fixing, push hoses through drain hose support to required height

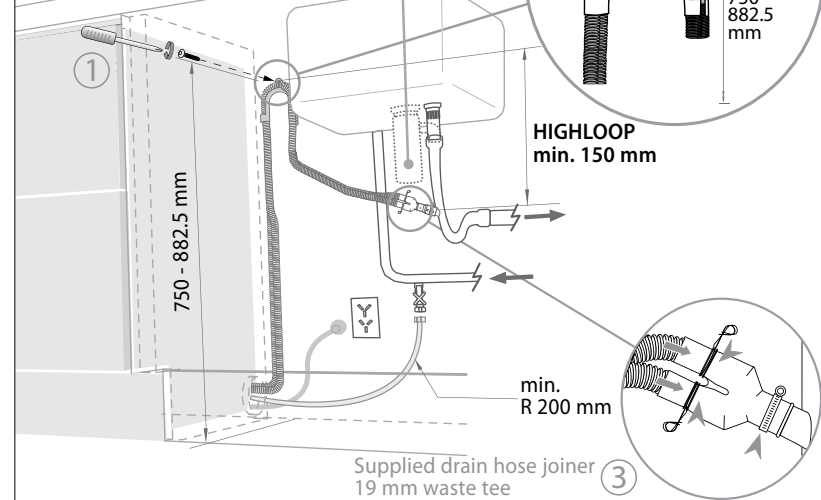
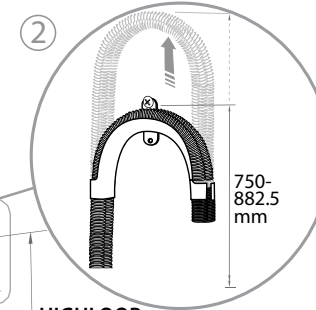


Fit the supplied rubber washer

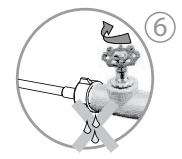
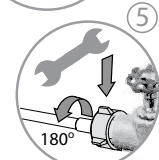
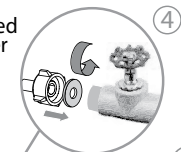


B DishDrawer® using sink trap with drain hose joiner

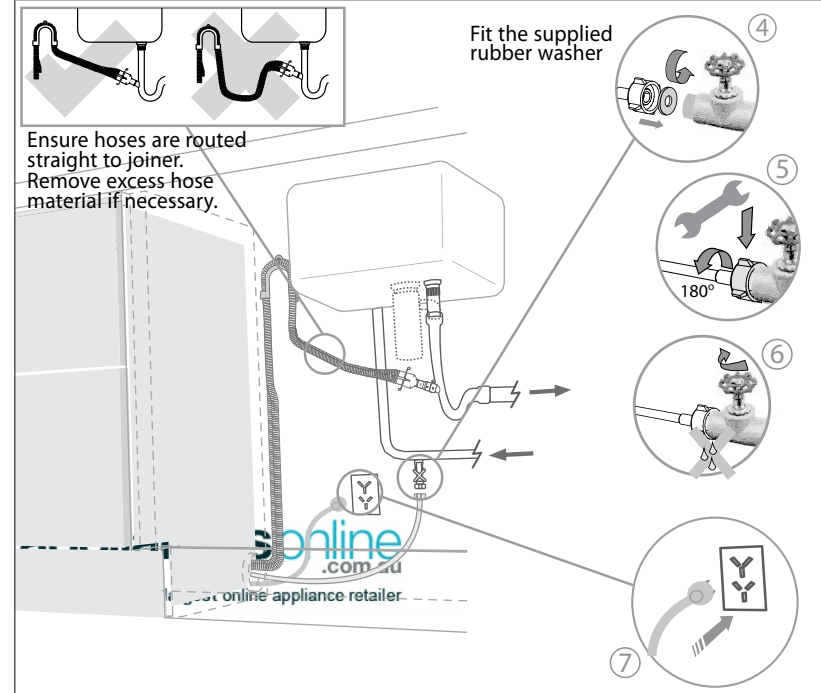
Waste Disposal (optional)
Do not connect to DishDrawer®



Fit the supplied rubber washer



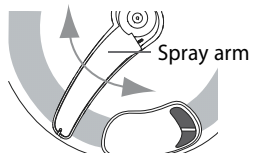
Ensure hoses are routed straight to joiner.
Remove excess hose material if necessary.



11 FINAL CHECKLIST



- Check all parts are installed.
- Ensure product is level, securely fastened to the cabinetry and opens and closes freely. The DishDrawer® must be free to fully close with no resistance from the cabinetry.
- Ensure inlet hose to water supply has supplied rubber washer fitted and that it is tightened a further half turn after seal contact.
- Ensure any knockouts or plugs in drain connection have been drilled out and drain connection has been made.
- The drain hose joiner must not support the weight of excess hoses. Keep hoses as fully extended as possible to prevent sagging. Any excess length of hose should be kept on the dishwasher side of the highloop.
- If using Plumbing and Drainage OPTION B, ensure the Highloop is a minimum 150 mm higher than the drain hose joiner.
- Turn on the power and water supply. Then press the Power (⏻) button to turn the DishDrawer® on. The DishDrawer® should beep and Wash Programme lights light up.
- Check the spray arm is in place and free to rotate.



- Add three cups of water into the DishDrawer®. On the Wash Programme Selector Panel press Rinse and close the drawer(s). Start the programme by pressing the Start/Pause (▶||) button.
- After the Rinse programme has finished, ensure machine has run and drained correctly.
- Check water supply and drainage connection for leakage.

Repeat for each drawer.

12 TROUBLESHOOTING

- **Excessive water remaining above the filter plate, after the rinse cycle**
Check for kinked drain hoses or blocked waste connection, high loop not properly installed or drain hoses not routed correctly.
- **No water supply (⊗ shows on display-models with LCD only)**
Check water is connected, turned on and the spray arm(s) are correctly fitted and free to rotate.
- **No lights come on when the drawer is opened**
Ensure power is connected and is switched on. Check if Auto Power option is on.
- **Water around water supply and drainage connections**
Check connections, existing plumbing and hoses for leaks. Check rubber washer and hose clamps are correctly fitted.
- **If product is tipping**
Ensure the product is secured to the cabinetry.
- **If front panels are misaligned**
Check and relevel product. Check the cabinetry is square.
- **Drawer(s) don't close properly**
Ensure nothing is obstructing the drawer(s) from closing properly eg sound insulation, hoses or drawer latches.
- If a problem occurs, consult the Troubleshooting section of the User Guide.
- If after checking these points you still need assistance, please refer to the Service & Warranty book for warranty details and your nearest Authorised Service Centre, or contact us through our website, listed below.

