

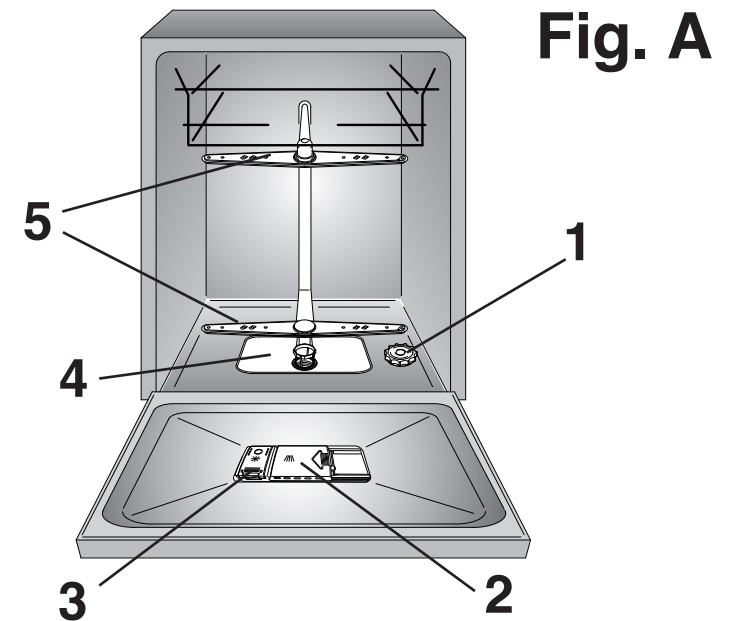
DDY 088T
DDY 088TX



DISHWASHER

CONTENTS

Safety advice	pag. 4
Setting up, installation	pag. 5
Water softener unit	pag. 9
Loading the salt	pag. 10
Adjusting the upper basket	pag. 11
Loading the dishes	pag. 12
Loading the detergent	pag. 15
Types of detergent	pag. 16
Loading the rinse aid	pag. 17
Cleaning the filters	pag. 18
Some practical hints	pag. 19
Routine cleaning and maintenance	pag. 20
Description of the control panel	pag. 21
Technical data	pag. 21
Programme selection and special functions	pag. 22
Programme guide	pag. 26
The Watercontrol system	pag. 28
Identifying minor faults	pag. 29



Please read the instructions in this booklet carefully because they contain important information on how to install, use and maintain your dishwasher safely as well as containing useful tips on how to make the most of it.

Keep this booklet safe for future reference.

SAFETY INSTRUCTIONS

There are certain basic safety rules which are valid for any domestic appliance.

Installation

- Make sure that the plug fitted to the machine is compatible with the power supply socket. If it is not, get a suitably qualified person to fit the correct type, and to make sure that the cables to the mains socket are able to cope with the power rating of the appliance.
- Ensure that the dishwasher does not crush power cables.
- Do not use this appliance with adaptors, power boards or extension cords.
- Should it be necessary to replace the supply cord, call the After Sales Service Centre.

Safety

- Never touch the appliance when your hands or feet are wet or damp.
- Do not use when your feet are bare.
- Do not remove the plug from the mains supply socket by pulling the mains cable or the machine itself.
- Do not leave the appliance exposed to the elements (rain, sun etc).
- This appliance is not intended for use by persons (including children) with reduced physical, sensory or mental capabilities, or lack of experience and knowledge, unless they have been given supervision or instruction concerning use of the appliance by a person responsible for their safety.

Children should be supervised to ensure that they do not play with the appliance.

- Water left in the machine or on the dishes at the end of the wash programme should not be swallowed.

- The door should not be left in the open position since this could present a potential hazard (es. tripping).
- Leaning or sitting on the open door of the dishwasher could cause it to tip over.



WARNING !

Knives and other utensils with sharp points must be loaded in the basket with their points down or placed in a horizontal position.

Daily use

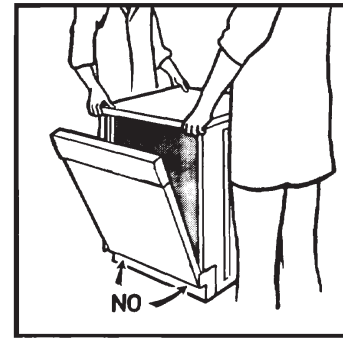
- This appliance is intended for indoor use only in household applications.
- The dishwasher is designed for normal kitchen utensils. Objects that have been contaminated by petrol, paint, traces of steel or iron, corrosive chemicals, acids or alkalis must not be washed in the dishwasher.
- If there is a water softening device installed in the home there is no need to add salt to the water softener fitted in the dishwasher.
- Cutlery is washed best if it is placed in the basket with the handles downwards.
- If the appliance breaks down or stops working properly, switch it off, turn off the water supply and do not tamper with it. Repair work should only be carried out by an approved service agent and only genuine spare parts should be fitted. Any failure to follow the above advice may have serious consequences for the safety of the appliance.

Disposal

- The dishwasher has been made from materials which can be recycled so that it can be disposed of in an environmentally friendly way.
- If you wish to dispose of an old dishwasher be careful to remove the door to eliminate the risk of children becoming trapped inside it.

INSTALLATION (Technical notes)

- After unpacking, adjust the height of the dishwasher. For the dishwasher to work correctly it must be level. Adjust the feet so that the machine does not tilt by more than 2 degrees.
- If it you need to move the machine after removing the packaging, do not try to lift it by the bottom of the door. Follow the instructions in the figure below. Open the door slightly and lift the machine by holding on the top.



IMPORTANT

When the appliance is located on a carpet floor, attention must be paid to ensure that there is no obstruction to the bottom vents.

Make sure that the plug on the appliance remains accessible after installation.

Electrical connection

This appliance complies with international safety standards, and is fitted with a 3 pin plug with earth connection to ensure complete earthing of the product.

Before connecting the appliance to the mains supply it is important to ensure:

1. that the supply socket is properly earthed;
2. that your electricity supply is capable of meeting the consumption requirements listed on the rating plate of your appliance.



WARNING!

Ensure that your product is properly earthed.

In the absence of adequate earthing you will notice that when touching the metal parts of your appliance an electrical dispersion can be felt, due to the presence of a radio interference suppressor.

Manufacturer declines all responsibility for any damage due to non-earthing of the machine.

CE Appliance complies with European Directives 73/23/EEC and 89/336/EEC, replaced by 2006/95/EC and 2004/108/EC, and subsequent amendments.

Water connection

IMPORTANT

The appliance must be connected to the water mains using new hose-sets. The old hose-sets should not be reused.

- The inlet and drain hoses can be directed to left or right.

IMPORTANT

The dishwasher can be connected to either cold or hot water, as long as it is no hotter than 60 °C.

- Water pressure must be between 80 kPa and 800 kPa. If the pressure is below the minimum consult our service department for advice.

- The inlet hose must be connected to a tap so that the water supply can be cut off when the machine is not in use (fig. 1 B).

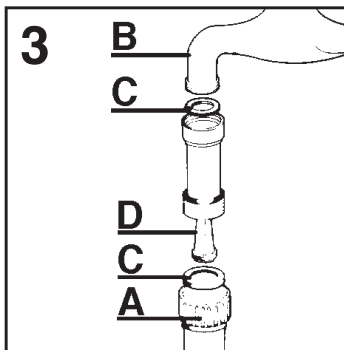
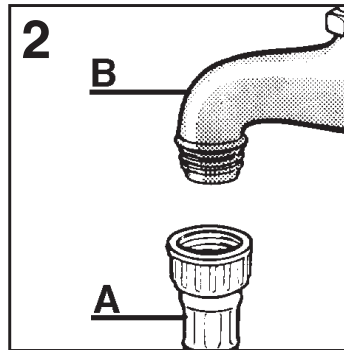
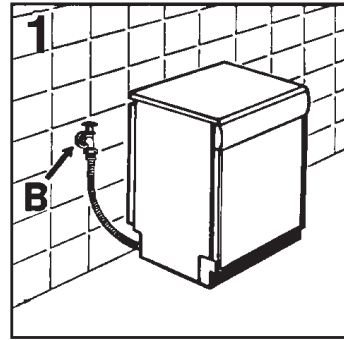
- The dishwasher is fitted with 3/4" threaded connector (fig. 2).

- Connect inlet hose "A" to water tap "B" with a 3/4" attachment making sure that it has been properly tightened.

- If it is necessary, the inlet pipe can be lengthened up to 2,5 m. The extension pipe is available from the After Sales Service Centre.

- If limescale deposits or sand are present in the water, it is advisable to obtain the appropriate filter, art. 9226085, from the After Sales Service Centre (fig. 3). The filter "D" must be inserted between the tap "B" and the inlet hose "A", remembering to fit the washer "C".

- If the dishwasher is connected to new pipes or to pipes which have not been in use for a long time run water through for a few minutes before connecting the inlet hose. In this way no deposits of sand or rust will clog up the water inflow filter.



Connecting the outlet hose

- The outlet hose should discharge into a standpipe, making sure that there are no kinks (fig. 4).

- The standpipe must be at least 40 cm above floor level and it must have an internal diameter of at least 4 cm.

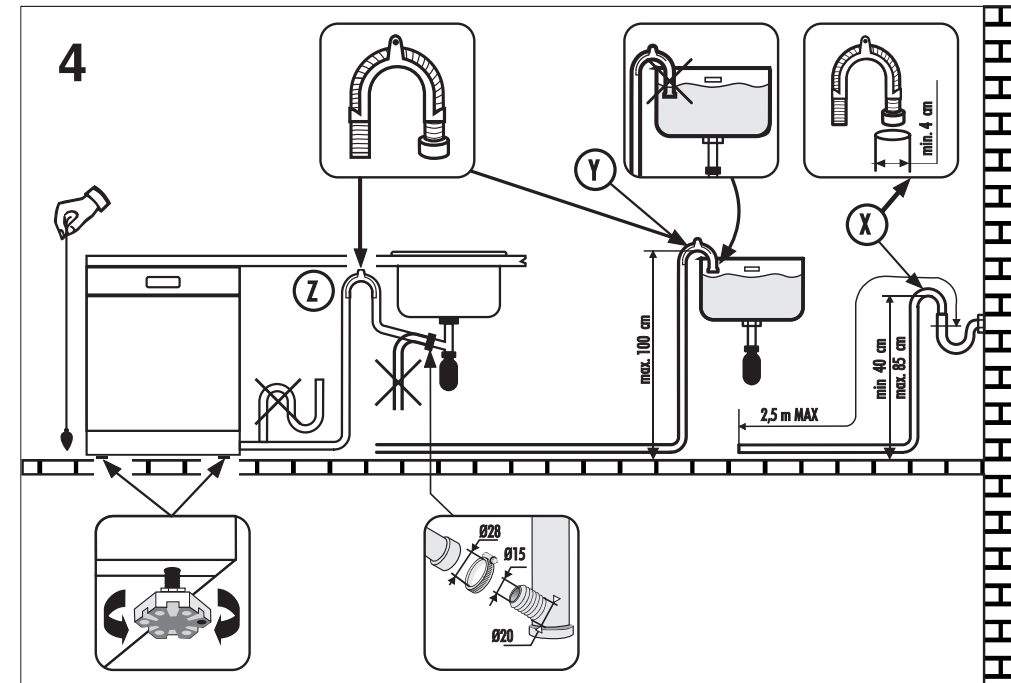
- It is advisable to fit an anti-odour air trap (fig. 4X).

- If necessary the outlet hose can be extended up to 2,5 m, provided that it is kept at a maximum height of 85 cm above floor level. The extension pipe is available from the After Sales Service Centre.

- The hose can be hooked over the side of the sink, but it must not be immersed in water, in order to prevent water from being syphoned back to the machine when this is in operation (fig. 4Y).

- When installing the appliance under a worktop the hose pipe clamp must be attached to the wall in the highest possible position under the worktop (fig. 4Z).

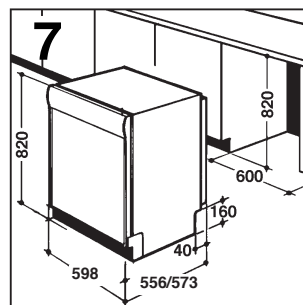
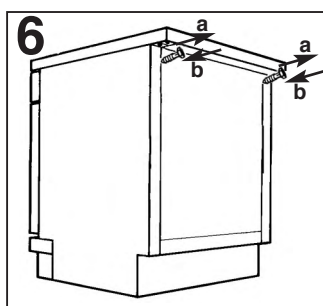
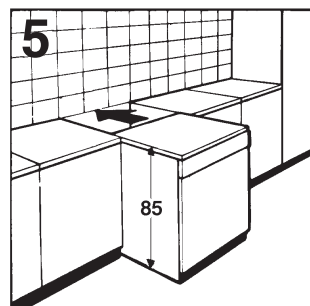
- Check that there are no kinks in the inlet and outlet hoses.



INSTALLATION IN FITTED KITCHENS

Fitting between existing cabinets

- The height of the dishwasher, 85 cm, has been designed in order to allow the machine to be fitted between existing cabinets of the same height in modern fitted kitchens (fig. 5). The feet can be adjusted so that correct height is reached.



Underneath existing work top

(when fitting beneath a work top)

- In most modern fitted kitchens there is only one single work top under which cabinets and electrical appliances are fitted. In this case remove the work top of the dishwasher by unscrewing the screws under the rear edge of the top (fig. 6a).

IMPORTANT
After removing the work top, the screws **MUST BE** screwed again under the rear edge of the top (fig. 6b).

- The height will then be reduced to 82 cm, as scheduled by the International Regulations (ISO) and the dishwasher will fit perfectly under the kitchen working top (fig. 7).

Opening the door

Put your hand into the recess and pull. If the machine comes open while it is working, an electrical safety device automatically switches everything off.

IMPORTANT
For the machine to work properly, the door should not be opened while it is in operation.

Closing the door

Place the baskets in the machine. Make sure that both the spray arms are free to rotate and are not obstructed by cutlery, crockery or pans. Close the door, pressing on it to make sure it is firmly shut.

WATER SOFTENER UNIT

Depending on the source of the supply, water contains varying amounts of limestone and minerals which are deposited on the dishes leaving whitish stains and marks. The higher the level of these minerals present in the water, the harder the water is. The dishwasher is fitted with a water softener unit which, through the use of special regenerating salt, supplies softened water for washing the dishes. The degree of hardness of your water can be obtained from your water supply company.

Regulating the water softener

The water softener can treat water with a hardness level of up to 90°fH (French grading) or 50°dH (German grading) through 8 settings.

The settings are listed in the table below:

Level	Water hardness		Use of regenerating salt	Water softener setting
	°fH (French)	°dH (German)		
0	0-5	0-3	NO	d0
1	6-10	4-6	YES	d1
2	11-20	7-11	YES	d2
3	21-30	12-16	YES	d3
*4	31-40	17-22	YES	d4
5	41-50	23-27	YES	d5
6	51-60	28-33	YES	d6
7	61-90	34-50	YES	d7

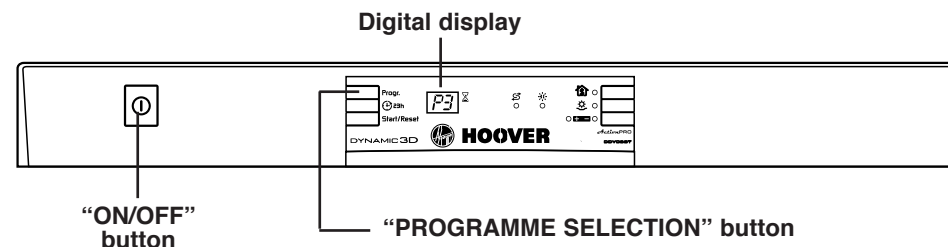
* The softener unit is set in the factory at level 4 (d4) as this satisfies the requirements of the majority of users.

Regulate the setting of your water softener unit according to the degree of hardness of your water as follows:

IMPORTANT
The dishwasher must be **ALWAYS** off before start this procedure.

1. Hold down the "PROGRAMME SELECTION" button and at the same time **switch** on the dishwasher by pressing the "ON/OFF" button (a brief audible signal will sound).
2. Keep the "PROGRAMME SELECTION" button pressed for at least 5 seconds, **UNTIL** a brief audible signal sounds. The current water softener setting level will be shown on the display.
3. Press the same button again to select the required water softener level: each time the button is pressed, the setting will increase by one level. When you have reached "d7", the display will go back to "d0".
4. Turn off the dishwasher by pressing the "ON/OFF" button to confirm the new setting.

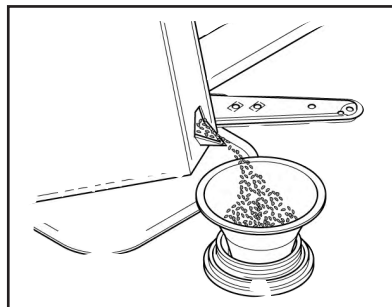
WARNING!
If any problem occurs, turn the dishwasher off by pressing the "ON/OFF" button and start the procedure again from the beginning (STEP 1).



LOADING THE SALT

- On the bottom of the machine there is a container for the salt for regenerating the softener.
- It is important to use only a salt that is specifically designed for dishwasher. Other types of salt contain small quantities of insoluble particles which over a long period of time may affect and deteriorate the softener performance.
- To add salt, unscrew the cap of the container on the bottom and then refill the container.
- During this operation a little water will overflow; but keep adding salt until the container is full. When the container is full, clean the thread of salt residue and retighten the tap.
- After loading the salt, it is recommended running a complete washing cycle, or COLD RINSE programme. The salt dispenser has a capacity of between 1.5 and 1.8 kg and, for efficient use of the appliance, it should be refilled from time to time according to the regulation of the water softener unit.

IMPORTANT
(Only for first start up)
When the appliance is used for the first time, after completely filling the salt container, it is necessary to add water until the container overflows.



Salt loading indicator

This model is provided with an indicator light on the control panel which will light up when it is necessary to reload the salt container.

IMPORTANT
The appearance of white stains on dishes is generally an important sign that the salt container needs filling.

ADJUSTMENT OF THE UPPER BASKET

If 27 cm to 31 cm plates are normally used, load them onto the lower basket after the upper basket has been placed in its upper position and proceed as detailed below:

1. Pull out the upper basket;
2. Then grasp the basket from both sides and lift it upwards (**fig. 1**).

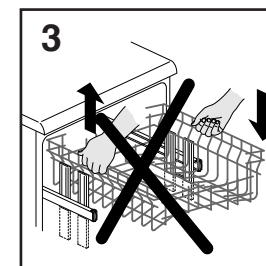
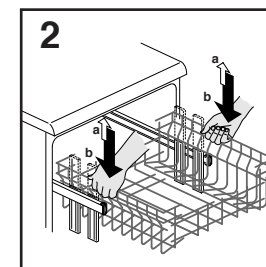
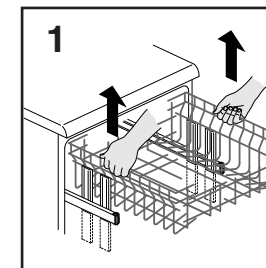
Dishes that are bigger than 14 cm in diameter can no longer be loaded onto the upper basket and the mobile supports cannot be used when the basket is in the upper position.

ADJUST BASKET TO THE LOWER POSITION:

1. Grasp the basket from both sides and lift slightly upwards (**fig. 2a**);
2. Then slowly release into the correct position (**fig. 2b**).

N. B. : NEVER LIFT OR LOWER THE BASKET BY ONE SIDE ONLY (fig.3).

Attention :
it is advisable to adjust the basket before loading the dishes.



LOADING DISHES

Using the upper basket

■ The upper basket is provided with mobile racks hooked to the sides of the basket, which can be regulated into two positions: upright and lowered.

■ In the lowered position the racks may be used for such items as: tea and coffee cups, kitchen knives and ladles. Also glasses with stems may be safely hung on the ends of the racks. Glasses, cups, saucers and dessert plates may be loaded under the racks.

■ In the upright position the racks allow you to load dinner plates and soup plates up to a maximum diameter of 19 cm. Plates should be loaded vertically with the underside of the plate towards the back of the dishwasher with a space between each plate to allow water to pass freely.

■ It is advisable that the plates loaded into the dishwasher together be the same size in order to utilize total basket capacity.

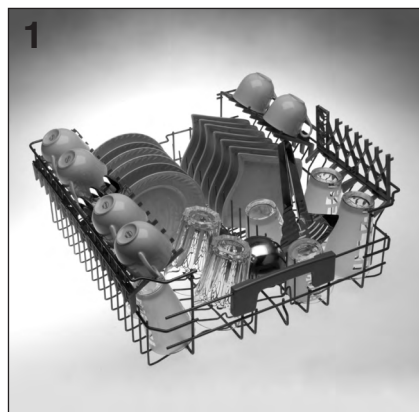
■ Plates may be loaded in a single row or in two rows.

■ It is advisable to load large plates slightly tilted towards the front to facilitate the introduction of the basket into the machine.

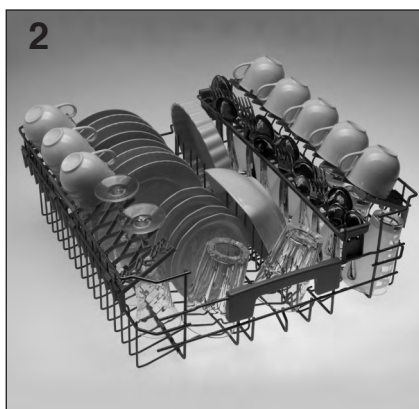
■ The upper basket has been designed to offer maximum flexibility in use and can be loaded with glasses, cups, small plates and small-sized bowls.

A standard daily load is represented in figs. 1 and 2.

Upper basket (fig. 1)



Upper basket (fig. 2)



Using the lower basket

■ Saucepans, oven dishes, tureens, salad bowls, lids, serving dishes, dinner plates and soup plates can be loaded into the lower basket.

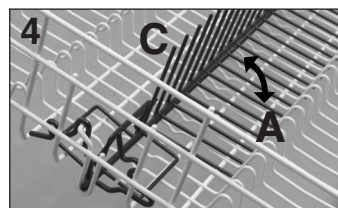
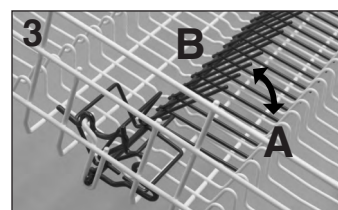
■ Place the cutlery in the plastic cutlery holder with the handles pointing upwards and place the cutlery holder on the lower basket (fig. 6) making sure that the cutlery does not get in the way of the rotating arms.

■ The lower basket is fitted with a special adjustable central rack (fig. 3 and 4). This permits stable and optimum loading, even when the size and/or shape of the dishes is non-standard.

- POSITION "A": for a standard load, or one that excludes pans, salad bowls and the like.

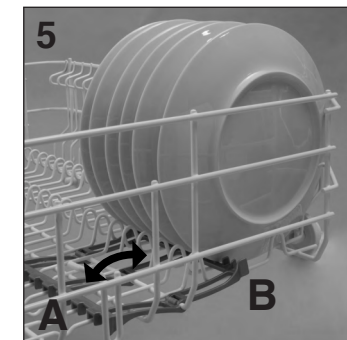
- POSITION "B": for dishes which, although standard size, have a particular shape (very deep bowls, square dishes or ones without borders etc.).

- POSITION "C": for larger than average flat plates and/or ones with non-standard shapes (square, hexagonal, oval, pizza dishes etc.).



■ Smaller plates (used for dessert plates for example), can also be placed into the lower basket as shown in the figure 5, with the support flap placed outwards ("B"). For normal or large plates the flap must be in the position ("A").

! WARNING!
If the small plates are placed in the basket with the support flap in the incorrect position, the plates will interfere with the lower spraying arm preventing it to rotate.



A standard daily load is represented in fig. 6.

Lower basket (fig. 6)



Please load the dishwasher sensibly to ensure the best wash results.

IMPORTANT
The lower basket has a safety-stop device, for its safe extraction, also especially useful with a full load. For loading salt, cleaning filter and for ordinary maintenance, the complete extraction of the basket is necessary.

Cutlery basket

The top of cutlery basket can be removed, for enable various loading options.

Using the third basket

■ The third basket has been designed to load items such as utensils of small dimensions or flat and long shaped items. By freeing the lower baskets from these objects, loading big-size items becomes more comfortable and easier, making it possible for instance to load plates and pots in the lower basket.

■ The third basket can be loaded with the following items: coffee cups and side plates, fruit or dessert cups, small bowls, saucers, kitchen knives and forks, ladles and large spoons, graters, and accessories for small appliances (e.g. food mixer blades).



ATTENTION!

The third basket is NOT designed for loading cutlery. The absence of racks for fixing cutlery could involve such items being found in the lower baskets.

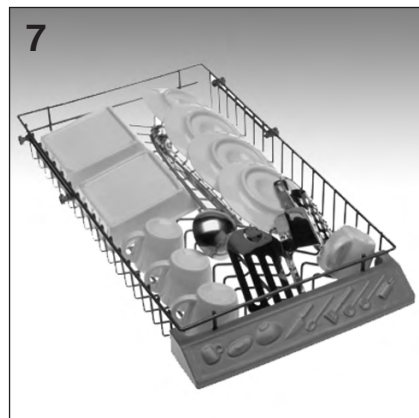
■ In order to obtain optimum washing results, it is advisable to load items with their underside towards the ceiling of the dishwasher (e.g. small plates and bowls).

■ The third basket can be easily extracted from the dishwasher, by removing the front stops at the beginning of basket tracks.

■ The third basket has been designed to offer maximum flexibility in use. Due to its partition in three tilted sections and absence of fixed racks, it can be loaded in numerous ways: only coffee cups and side plates; or coffee cups mixed with bowls and utensils; or again with side plates, graters, and spoons.

A standard daily load is represented in fig. 7.

Third basket (fig. 7)



LOADING THE DETERGENT

The detergent

IMPORTANT

It is essential to use a detergent that is specifically designed for dishwashers either in powder, liquid or tablet form.

Unsuitable detergents (like those for washing up by hand) do not contain the proper ingredients for use in a dishwasher, and stop the dishwasher from working correctly.

Filling the detergent container

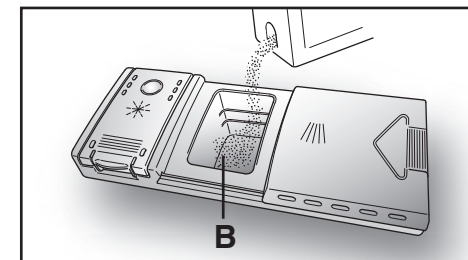
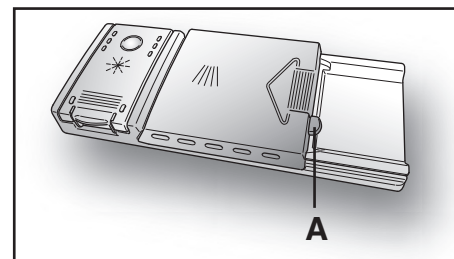
The detergent container is inside the door (fig. A "2"). If the lid of the container is closed, press the button (A) to open. At the end of every wash cycle the lid is always open and ready for the next time the dishwasher is used.



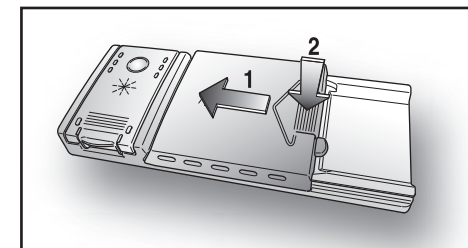
WARNING!

When loading the lower basket, please ensure that the plates or others do not obstruct the detergent dispenser.

The amount of detergent to be used varies according to how dirty the dishes are and on the type of dishes to be washed. We advise using 20-30 g of detergent in the wash section of detergent compartment (B).



After pouring the detergent into the container, close the lid, firstly pushing (1) and then pressing on it (2) until you hear the click.



Since not all detergents are the same the instructions on the boxes of detergent can vary. We should just like to remind users that too little detergent does not clean the dishes properly whilst too much detergent will not produce better results and is also a waste.

IMPORTANT

Do not use an excessive amount of detergent and help limit damage to the environment at the same time.

TYPES OF DETERGENT

Detergent tablets

Detergent tablets of different manufacturers dissolve at different speeds, for this reason, during short programmes, some detergent tablets may be not fully effective, because they are not completely dissolved. If these products are used, it is recommended to choose longer programmes to guarantee the complete use of the detergent.

IMPORTANT

To get satisfactory washing results, the tablets **MUST** be placed in the wash section of the detergent container and **NOT** directly in the tub.

Concentrated detergents

The concentrated detergents, with reduced alkalinity and with natural enzymes, in conjunction with 50°C wash programmes, have a smaller impact on the environment and they protect the dishes and the dishwasher. The 50°C wash programmes purposely exploit the dirt-dissolving properties of the enzymes, allowing therefore, with the use of the concentrated detergents, to achieve the same results of the 65°C programmes but at a lower temperature.

Combined detergents

The detergents that also contain the rinse aid must be placed in the wash section of the detergent container. The rinse aid container must be empty (if it is not empty, set the rinse aid regulator to lowest position before using combined detergents).

"ALL in 1" combined detergents

If you are planning to use "ALL in 1" ("3 in 1" / "4 in 1" / "5 in 1", etc.) combined detergents i.e. those with built in salt and/or rinse agent, we would advise the following:

- read carefully and follow the manufacturer's instructions given on the packaging;
- the effectiveness of detergents containing the built in water softener/salt depends on the hardness of your water supply. Check that the hardness of your water supply is within the effective range given on the detergent packaging.

If when using this type of product, you don't get satisfactory washing results, please contact the detergent manufacturer.

In certain circumstances use of combined detergents can cause:

- limescale deposits on dishes or in the dishwasher;
- a reduction in washing and drying performance.

IMPORTANT

Any problems which arise as a direct result of the use of these products are not covered by our warranty.

Please note that using the "ALL in 1" combined detergents, the rinse aid and salt indicator lights (only used on selected models) are superfluous, so you must ignore the lights.

If washing and/or drying problems occur, we recommend you return to use traditional separate products (salt, detergent and rinse agent). This will ensure that the water softener in the dishwasher operates correctly.

In this case, we recommend that you:

- refill both the salt and rinse aid container;
- run one normal washing cycle without a load.

Please note that on return to the use of conventional salt, a number of cycles will be required before the system becomes fully efficient again.

WARNING!

Some dishwasher detergents are strongly alkaline. They can be extremely dangerous if swallowed. Avoid contact with the skin and eyes and keep children away from the dishwasher when the door is open. Check that the detergent receptacle is empty after completion of the wash cycle.

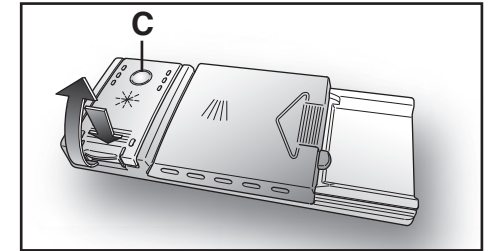
LOADING THE RINSE AID

The rinse aid

The rinse aid, which is automatically released during the last rinsing cycle, helps the dishes to dry quickly and prevents spots and stains forming.

Filling the rinse aid container

The rinse aid container can be found to the left of the detergent container (fig. A "3"). To open the lid, push the reference mark and, in the same time, pull the tab of opening. It is always advisable to use rinse aid that is specifically designed for dishwasher. Check the rinse aid level through the indicator eye (C) which is located on the dispenser.



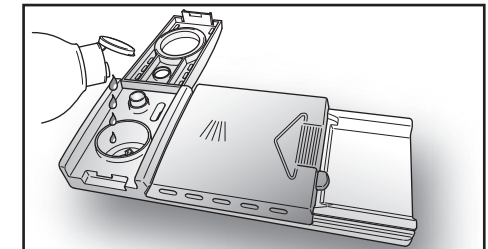
FULL

EMPTY



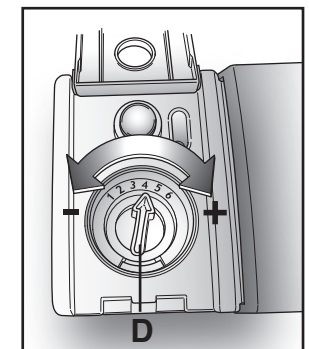
dark

light



Regulating the rinse aid from 1 to 6

The regulator (D) is placed under the lid and can be turned using a coin. The recommended position is 4. The limestone content of the water considerably affects the formation of limescale and the drying performance. It is therefore important to regulate the quantity of rinse aid to achieve good washing results. If, after the wash, streaks occur on the dishes, decrease the amount by one position. If whitish spots occur, increase the amount by one position.



CLEANING THE FILTERS

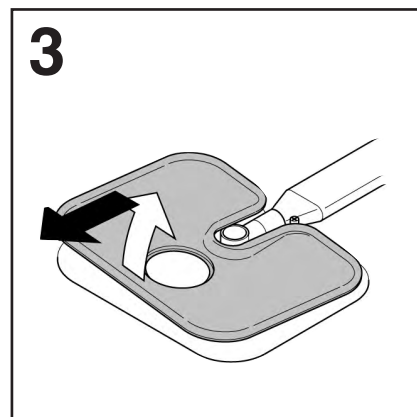
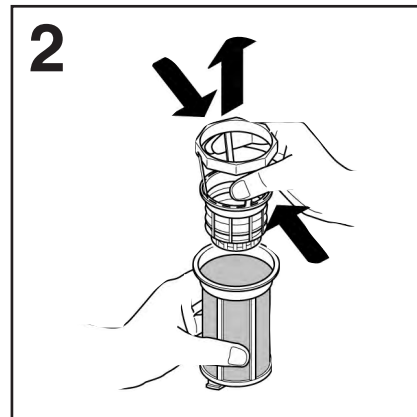
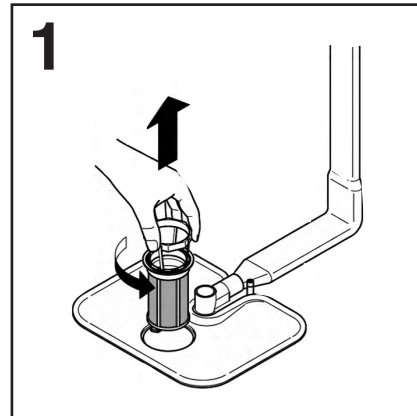
The filter system (**fig.A “4”**) consists of:

a central **container** that traps the larger particles;

a **flat gauze** that continuously filters the wash water;

a **micro filter**, located beneath the gauze, that traps the tiniest particles ensuring a perfect rinse.

- To achieve excellent results every time, the filters should be checked and cleaned after each wash.
- To remove the filter unit, simply turn the handle anticlockwise (**fig. 1**).
- For ease of cleaning, the central container is removable (**fig. 2**).
- Remove the gauze filter (**fig.3**) and wash the whole unit under a jet of water. If necessary a small brush can be used.
- With the **Self-cleaning Micro filter**, maintenance is reduced and the filter unit need only be checked every two weeks. Nevertheless, after each wash it is advisable to check that the central container and the gauze filter are not clogged.



WARNING!

After cleaning the filters, make sure that they are correctly reassembled and that the gauze filter is properly positioned at the bottom of the dishwasher.

Make sure that the filter is screwed back, clockwise, into the gauze, as poor seating of the filter unit could have an adverse effect on the efficiency of the appliance.

IMPORTANT

Never use the dishwasher without the filters.

PRATICAL HINTS

How to get really good wash results

- Before placing the dishes in the dishwasher, remove any remaining food (bones, shells, pieces of meat or vegetables, coffee grounds, skin of fruit, cigarette ash, tooth picks etc. to avoid blocking the filters, water outlet and washing arm nozzles.
- Try not to rinse the dishes before loading them into the dishwasher.
- If saucepans and oven dishes are encrusted with the remains of burnt or roast food, it is advisable to leave them to soak before washing.
- Place the dishes face downwards.
- Try to place the dishes in such a way that they are not touching one another. If they are loaded properly you will get better results.
- After loading the dishes check that the washing arms can rotate freely.
- Pans and other dishes that have particularly stubborn food particles or remnants of burnt food should be left to soak in water with dishwasher detergent.
- To wash silver properly:
 - a) rinse the silver immediately after use, especially if it has been used for mayonnaise, eggs, fish etc.;
 - b) do not sprinkle detergent onto it;
 - c) keep it separate from other metals.

How to make savings

- If you want the dishwasher to give a complete wash, place the dishes in the dishwasher at the end of each meal and if necessary turn on the COLD RINSE cycle to soften the food remains and remove bigger particles of food from the new load of dishes. When the dishwasher is full start the complete wash cycle programme.
- If the dishes are not very dirty or if the baskets are not very full select an ECONOMY programme, following the instructions in the program list.

What not to wash

- It should be remembered that not all dishes are suitable for washing in a dishwasher. We advise against using the dishwasher to wash items in thermoplastic, cutlery with wooden or plastic handles, saucepans with wooden handles, items in aluminium, crystal, leaded glass unless otherwise stated.
- Certain decorations may fade. It is therefore a good idea before loading the whole batch to wash just one of the items first so as to be sure that others like it will not fade.
- It is a good idea not to put silver cutlery with non-stainless steel handles into the dishwasher as there could be a chemical reaction between them.

IMPORTANT

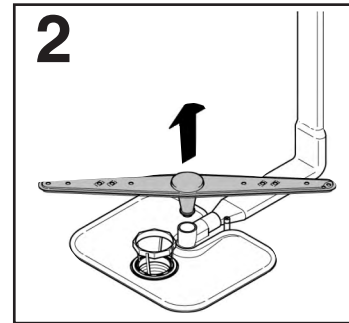
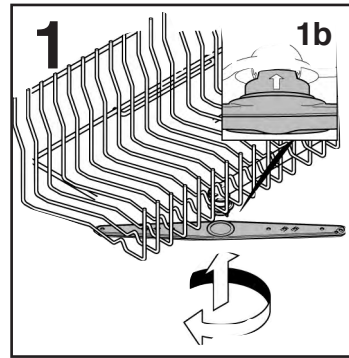
When buying new crockery or cutlery always make sure that they are suitable for washing in a dishwasher.

Useful hints

- In order to avoid any dripping from the top rack, remove the lower rack first.
- If the dishes are to be left in the machine for some time, leave the door ajar, to let some air circulate and to improve the drying performance.

CLEANING AND MAINTENANCE

- To clean the dishwasher outside, do not use solvents (degreasing action) neither abrasives, but only a cloth soaked with water.
- The dishwasher does not require special maintenance, because the tank is self-cleaning.
- Regularly wipe the door gasket with a damp cloth to remove any food remains or rinse aid.
- It is advisable to remove limestone deposits or dirt periodically, by doing an empty wash; pour a glass of vinegar on the bottom of the tank and select the light wash.
- If, in spite of the routine cleaning of the filters, you notice that the dishes or pans are not properly washed or rinsed, check that all the spray heads on the rotor arms (**fig. A "5"**) are clear.



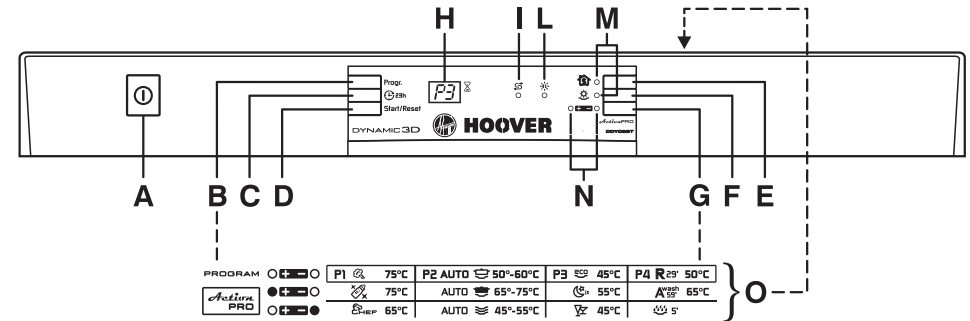
WHEN CYCLE IS FINISHED

After every wash it is essential to turn off water supply and to switch off the machine by pressing the On/Off button to the off position.

If the machine is not going to be used for some time, it is advisable to follow these rules:

1. do an empty wash with detergent in order to clean the machine of any deposits;
2. pull out the electric plug;
3. turn off the water tap;
4. fill the rinse aid container;
5. leave the door ajar;
6. keep the inside of the machine clean;
7. If the machine is left in places where the temperature is below 0°C any water left inside the pipes may freeze. Wait until the temperature rises above zero and then wait for about 24 hours before starting up the dishwasher.

DESCRIPTION OF THE CONTROL PANEL



- A** "ON/OFF" button
- B** "PROGRAMME SELECTION" button
- C** "DELAY START" button
- D** "START"/"RESET" button (start/cancelling programme)
- E** "SUPER ECO" option button
- F** "EXTRA DRY" option button
- G** "ACTION PRO" button
- H** Digital display
- I** "SALT EMPTY" light
- L** "RINSE AID EMPTY" light
- M** "OPTION SELECTION" lights
- N** "ACTION PRO" lights
- O** Programme guide

If they are blocked, clean them in the following way:

1. to remove the upper rotor arm, turn it until it lines up with the stop marked by the arrow (**fig. 1**). Push it upwards (**fig. 1b**) and, keeping it pushed in, unscrew it in a clockwise direction (**to reassemble it repeat the same operation, but turn it anticlockwise**). The lower rotor arm can be removed simply by pulling it upwards (**fig. 2**);
2. wash the rotor arms under a jet of water to clear any blockage in the spray heads;
3. when you have finished, refit the rotor arms in the same position, remembering to re-align the arrow and screw into position.

- Both the door lining and the tank lining are in stainless steel; however, should spots caused by oxidation occur, this is probably due to a high level of iron salts presents in the water.
- The spots can be removed with a mild abrasive agent; never use chlorine based materials, steel wool, etc.

DIMENSIONS:

		with working top	without working top
Height	cm	85	82
Depth	cm	60	57,3
Width	cm	60	59,8
Depth with door open	cm	120	117

TECHNICAL DATA:

EN 50242 place load	15
Capacity with pans and dishes	9 persons
Water supply pressure	Min. 80 kPa - Max 800 kPa
Fuse	(see rating plate)
Power input	(see rating plate)
Supply voltage	(see rating plate)

PROGRAMME SELECTION AND SPECIAL FUNCTIONS

(Use in conjunction with programme guide)

IMPORTANT



The dishwasher has a very practical function:

- the memory function which saves the last programme used, so that if you regularly use the same washing cycle, you do not have to re-set the programme every time, thereby saving time and effort.

"ACTION PRO" button

ActionPRO

This button allows you to modify the wash intensity, according to how dirty your dishes are, by modifying the wash time and temperature.


Press the button to increase the intensity of wash cycle ( indicator light) or to reduce the intensity of wash, this also allows you to decrease the wash length time ( indicator light).

The combination of the button with the 4 main wash programmes enables to have 8 additional wash cycles (achieving a total of 12 programmes of washing).

IMPORTANT

When the dishwasher is switched on, the setting last used will be indicated.

Programme settings

- Open the door and place the dirty dishes inside the appliance.
- Press the "ON/OFF" button . The display will show the last programme used.
- To set another programme, press the "PROGRAMME SELECTION" button.

- If you wish, press the "ACTION PRO" button.

- If you wish to select an option, press the corresponding button (the indicator light will turn on).

The option buttons can be selected or deselected WITHIN one minute of the programme commencing.

- Press the "START" button. The length of the program will be shown on the display alternating hours with minutes [i.e. 1 h] (1 hour) / [25] (25 minutes)].

- When the door is shut, after an audible signal has sounded, the programme will start automatically. The display will show the time remaining to the end of the cycle.

WITHIN one minute of the programme commencing, another programme can be selected, simply by pressing the "PROGRAMME SELECTION" button (it is also possible to change the "ACTION PRO" button setting).

"AUTOMATIC" programmes

The dishwasher is equipped with a *dirt sensor*, able to analyse water murkiness during all "AUTOMATIC" programme phases (see programme list); thanks to this sensor the washing cycle parameters are automatically adapted to the real quantity of dirt on dishes. Thus excellent washing results are guaranteed while optimising water and energy consumption.

"IMPULSE" programmes

The "IMPULSE" programmes use an impulse washing technology, which reduces consumption, noise and increases performances.

IMPORTANT

The "intermittent" working of the washing pump **MUST NOT BE** considered a malfunction, it is a characteristic of the impulse washing so must be considered a normal function of the programme.

Programme interruption

Opening the door when a programme is running is not recommended especially during the main wash and final hot rinse phases. However, if the door is opened while a programme is running (for example, to add dishes) the machine stops automatically and the display will flash the remaining time before the end of the cycle. Close the door, **without pressing any buttons**. The cycle will start from where it left off.

IMPORTANT

A running program can be interrupted without opening the door by pressing the "ON/OFF" button. In this case, simply press the "ON/OFF" button again to restart the cycle from where it left off.



WARNING!

If you open the door during the drying cycle, an audible audio signal advises you that the drying cycle has not yet finished.

Changing a running programme

Proceed as follows to change or cancel a running program:

- Hold the "RESET" button down for at least 5 seconds.
- The running programme will be cancelled.
- At this point a new programme can be set.



WARNING!

Before starting a new programme, you should check that there is still detergent in the dispenser. If necessary, top up the dispenser.

Programme operations

Whilst a programme is running, the display shows the time remaining to the end of the cycle, which is automatically updated.

If there is any break in the power supply while the dishwasher is operating, a special memory stores the selected programme and, when the power is restored, it continues where it left off.

Programme end

A 5 second alarm will sound (if not muted) 3 times at 30 second intervals to signal that the programme has ended.

The display and all the indicator lights will switch off.

Dishes can now be removed and the dishwasher turned off by pressing the "ON/OFF" button or dishes can be loaded for new cycle.

Option buttons

"SUPER ECO" button

This button provides an energy and time saving of 25% on average (according to the select cycle) reducing the wash water temperature and the drying time during the final rinse.

This programme is recommended for light soil washes, and for slightly wet dishes that are not fully dry, & improved drying results. We advise you to leave the door of the Dishwasher half-open at the end of the cycle, to allow for a natural circulation of air inside the dishwasher.

"EXTRA DRY" button

This option allows you to achieve the highest efficiency in drying, increasing the wash water temperature during the last phase of washing cycle.

IMPORTANT

The options "EXTRA DRY" and "SUPER ECO" are incompatible and therefore cannot be activated in the same washing cycle.

"DELAY START" button 23h

Dishwasher start time can be set with this button, delaying start from 1 to 23 hours.

Proceed as follows to set a delayed start:

- Press the "DELAY START" button ("00" will appear on the display).
- Press the button again to increase the delay in hours (each time the button is pressed the delay is increased by 1 hour to a maximum of 23).
- To start the countdown, press the "START" button.
The display will show the time remaining to the begin of the programme.

At the end of the countdown, the programme will automatically start and the length of the selected cycle will be shown in the display.

Proceed as follows to cancel a delayed start:

- Hold the "RESET" button down for at least 5 seconds.
- The delayed start and the selected programme will be cancelled.
- At this point, a new programme and option buttons must be set to start a new programme as indicated in the "PROGRAMME SETTINGS" section.

Alarm mute for the PROGRAMME END

The alarm for the programme end may be muted as follows:

IMPORTANT
The dishwasher must be ALWAYS off before start this procedure.

1. Hold down the "PROGRAMME SELECTION" button and at the same time **switch on** the dishwasher by pressing the "ON/OFF" button (a brief audible signal will sound).
2. Keep the "PROGRAMME SELECTION" button pressed for at least 15 seconds (during this time 2 audible signals will sound).
3. Release the button when the **second** audible signal sounds ("b1" will appear on the display to indicate that the alarm is on).
4. Press the same button again ("b0" will appear on the display to indicate that the alarm is off).
5. Turn off the dishwasher by pressing the "ON/OFF" button to confirm the new setting.

To turn the alarm on again, follow the same procedure.

IMPORTANT
This dishwasher is equipped with an anti-overflow safety device which will automatically discharge any excess water should a problem occur.

WARNING!

To ensure the correct operation of the anti-overflow safety device, we recommend that the dishwasher is not moved or tilted during operation. If however it is necessary to tilt or move the dishwasher, please ensure that the washing cycle is complete and that there is no remaining water inside the dishwasher.

The dishwasher is able to signal a series of faults in the display.

AUTOMATIC FAULT SIGNALS

FAULTS	CAUSE	SOLUTION
E2 appears on the display and the alarm sounds.	No water (inlet hose closed).	Turn off the dishwasher, open the inlet hose and reset the cycle.
E3 appears on the display and the alarm sounds.	The machine cannot drain water.	Check if the drain tube is bent or if the siphon or filters are clogged. If the problem persists, contact Customer Service.
E4 appears on the display and the alarm sounds.	Water leak	Check if the drain tube is bent or if the siphon or filters are clogged. If the problem persists, contact Customer Service.
E5,E6,E7,Ef or EL appears on the display and the alarm sounds.	Electronic control fault.	Contact Customer Service.
E8 or Ei appear on the display and the alarm sounds.	The water heating element is not working correctly or the filter plate is clogged.	Clean the filter plate. If the problem persists, contact Customer Service.

PROGRAMME GUIDE

Wash with prewash

For wash programmes with prewash, it is advisable to add a second dose of detergent (max. 5.75 g) directly in the machine.

◆/(○) = "AUTOMATIC" PROGRAMMES ARE OPTIMISED THANKS TO THE DIRT SENSOR THAT ADAPTS WASHING PARAMETERS TO DISH DIRT LEVELS.

P1 ●+—○		Hygiene+ 75°C	An antibacterial cycle, intended for washing and sterilising dishes (even heavily stained ones) babies' bottles etc.
P1 ○+—○		STEAM 75°C	Cycle with alternating action of water jets and steam. Effective in softening and removing dried up soil from heavily soiled loads.
P1 ○+—●		Chef 65°C	Intended for rapid washing of heavily soiled crockery and cutlery.
P2 ●+—○	AUTO	Family 65 - 75°C ◆	For mixed loads with pots and pans including some heavy soiled items of crockery and cutlery.
P2 ○+—○	AUTO	AUTO 50 - 60°C ◆	Intended mixed soiled loads including heavy soiled items of crockery, glassware and cutlery.
P2 ○+—●	AUTO	Auto 45 - 55°C ◆	Fast cycle for mixed lightly soiled loads of crockery, glassware, cutlery, pots and pans.
P3 ●+—○		Night 55°C	Quietest washing cycle for night washing of mixed lightly soiled loads of crockery, glassware, cutlery, pots and pans.
P3 ○+—○		ECO 45°C	Energy saving program intended for normal soiled loads of crockery, glassware and cutlery. Programme for testing to AS/NZS 2007.
P3 ○+—●		Cristal 45°C	Suitable for delicate crockery and glassware.
P4 ●+—○	A^{wash} 59'	A Wash 59' 65°C	Suitable for heavily soiled items that are to be washed straight after a meal (Max 8 place load).
P4 ○+—○	R^{29'}	RAPID 29' 50°C	Quick wash for dishes which are to be washed immediately after the meal (Max 6 place load).
P4 ○+—●	5'	Pre-wash	Short cold pre-wash for items that are stored in the dishwasher until you are ready to wash a full load.

■ = "IMPULSE" programmes

26

◆ = "AUTOMATIC" programmes

Check list					Programme contents					Average duration in minutes	Special function buttons available			
Detergent for soaking (Prewash)	Detergent for washing	Clean filter	Check rinse aid dispenser	Check salt container	Hot pre-wash	Cold pre-wash	Main wash	First cold rinse	Second cold rinse	Hot rinse with rinse aid	With cold water (15°C)* - Tolerance ± 10%*	"DELAY START" button	"SUPER ECO" button	"EXTRA DRY" button
● (5.75 g)	● (28 g)	●	●	●	○		75°C	○	○	○	140	YES	YES	YES
● (5.75 g)	● (28 g)	●	●	●	○		75°C	○	○	○	130	YES	YES	YES
● (5.75 g)	● (28 g)	●	●	●	○		65°C	○		○	85	YES	YES	YES
● (5.75 g)	● (28 g)	●	●	●	○		65°C/ 75°C	○	(○)	○	115/ 125	YES	YES	YES
	● (28 g)	●	●	●	(○)		50°C/ 60°C	(○)		○	100/ 120	YES	YES	YES
	● (28 g)	●	●	●	(○)		45°C/ 55°C	(○)		○	70/ 80	YES	YES	YES
	● (28 g)	●	●	●	○		55°C	○		○	240	YES	YES	YES
● (5.75 g)	● (28 g)	●	●	●	○		45°C			○	175	YES	YES	YES
	● (28 g)	●	●	●	○		45°C	○		○	85	YES	YES	YES
● (5.75 g)	● (28 g)	●	●	●	○		65°C			○	59	YES	YES	N/A
	● (28 g)	●	●	●			50°C			○	29	YES	N/A	N/A
	(0 g)	●									5	YES	N/A	N/A

N/A = OPTION NOT AVAILABLE

27

* WITH HOT WATER THE TIME REMAINING UNTIL THE END OF THE PROGRAMME IS AUTOMATICALLY DISPLAYED WHILE THE PROGRAMME IS RUNNING.

WATERCONTROL-SYSTEM

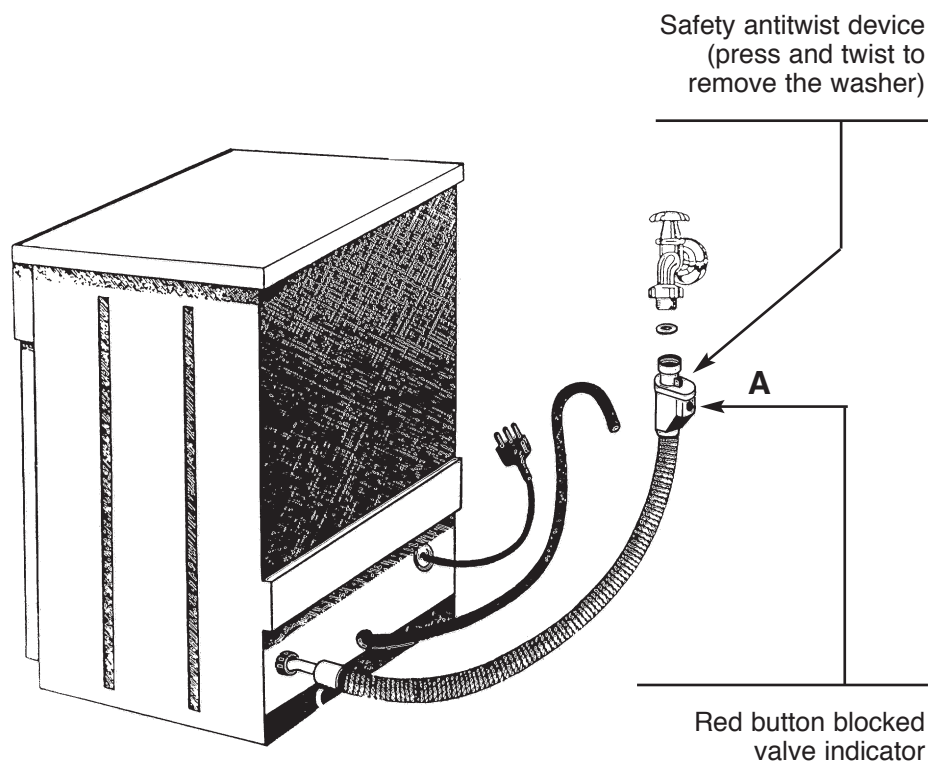
The water-stop device protects against water damages caused by leaks on the fill hose which could develop due to natural ageing of the hose.

In the water-stop system the leaking water fills the corrugated hose and activates a stop valve which cuts off the water supply to the machine.

This fault is shown by a red sector on the window «A».

Would this occur, please refer to your Service Agent.

If the hose is not long enough for correct connection, it must be replaced with a longer one. The hose can be obtained from your Service Agent.



IDENTIFYING MINOR FAULTS

Should the dishwasher fail to operate, before contacting the Service Centre, make the following checks:

FAULT	CAUSE	REMEDY
1 - Machine completely dead	Plug is not connected to wall socket	Connect electric plug
	O/I button has not been pressed	Press button
	Door is open	Close door
	No electricity	Check the fuse in the plug and the electricity supply
2 - Machine does not draw water	See causes for no. 1	Check
	Water tap is turned off	Turn water tap on
	Programme selector is not at correct position	Turn programme selector to correct position
	The inlet hose is bent	Eliminate the bends in the hose
3 - Machine does not discharge water	The inlet hose filter is not correctly connected	Clean the filter at the end of the hose
	Filter is dirty	Clean filter
	Outlet hose is kinked	Straighten outlet hose
4 - Machine discharges water continuously	The outlet hose extension is not correctly connected	Follow the instructions for connecting the outlet hose carefully
	The outlet connection on the wall is pointing downwards not upwards	Call a qualified technician
	Position of outlet hose is too low	Lift outlet hose to at least 40 cm above floor level
5 - Spray arms are not heard to rotate	Excessive amount of detergent	Reduce amount of detergent Use suitable detergent
	Item prevents arms from rotating	Check
	Plate and cup filter very dirty	Clean plate and cup filter
6 - On electronic appliances without a display: one or more LED flashing quickly.	Water inlet tap turned off	Switch off the appliance. Turn on the tap. Re-set the cycle.

FAULT	CAUSE	REMEDY
7 - Load of dishes is only partially washed	See causes for no. 5	Check
	Bottom of saucepans have not been washed well	Burnt on food remains must be soaked before putting pans in dishwasher
	Edge of saucepans have not been washed well	Reposition saucepans
	Spray arms are partially blocked	Remove spray arms by unscrewing ring nuts clockwise and wash under running water
	The dishes have not been properly loaded	Do not place the dishes too closely together
	The end of the outlet hose is in the water	The end of the outlet hose must not come into contact with the outflow water
	The incorrect amount of detergent has been measured out; the detergent is old and hard	Increase the measure according to how dirty the dishes are and change detergent
	The wash programme is not thorough enough	Choose a more vigorous programme
	The lower basket dishes have not been washed	Depress half load button
8 - Detergent not dispensed or partially dispensed	Cutlery, dishes, pans, etc... stop the detergent dispenser opening	Position dishes not to obstruct the dispenser
9 - Presence of white spots on dishes	Water is too hard	Check salt and rinse aid level and regulate amount. Should the fault persist, Contact Service Centre
10 - Noise during wash	The dishes knock against one another	Re-check loading of dishes in the basket
	The revolving arms knock against the dishes	Again re-check loading
11 - The dishes are not completely dry	Inadequate air flow	Leave the dishwasher door ajar at the end of the wash program to allow the dishes to dry naturally
	Rinse aid missing	Fill the rinse aid dispenser

N.B.: Should any of the situations occur and should the machine give a bad wash performance, it is necessary to remove the deposits from the dishes by hand since the final drying cycle hardens the deposits which a second wash in the machine would not be able to remove.

If the malfunction continues contact a Service Centre quoting the serial number of the dishwasher. This is found on the plaque on the inside of the dishwasher door at the top or on the guarantee. This information will make it possible to take more effective action more quickly.

The manufacturers decline any responsibility for any printing mistakes in this instruction booklet. They also reserve the right to modify their own appliances as necessary without altering the essential characteristics.

The manufacturer declines all responsibility in the event of any printing mistakes in this booklet. The manufacturer also reserves the right to make appropriate modifications to its products without changing the essential characteristics.

This appliance is marked according to the European directive 2002/96/EC on Waste Electrical and Electronic Equipment (WEEE).

By ensuring this product is disposed of correctly, you will help prevent potential negative consequences for the environment and human health, which could otherwise be caused by inappropriate waste handling of this product.

The symbol on the product indicates that this product may not be treated as household waste. Instead it shall be handed over to the applicable collection point for the recycling of electrical and electronic equipment. Disposal must be carried out in accordance with local environmental regulations for waste disposal.

For more detailed information about treatment, recovery and recycling of this product, please contact your local city office, your household waste disposal service or the shop where you purchased the product.



10.08 - 41034616 - www.graficaestampa.it - Printed in Italy - Imprimé en Italie