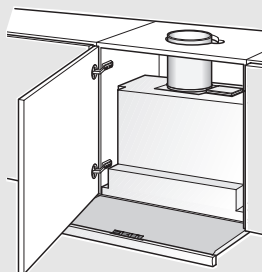




**DHI 645 F / DHI 655 F**



- de Gebrauchs- und  
Montageanleitung
- en Operating and  
installation instructions
- fr Mode d'emploi et  
notice de montage
- nl Gebruiksaanwijzing en  
montagevoorschrift
- it Istruzioni d'uso  
e per il montaggio
- es Instrucciones de uso  
y de montaje
- pt Instruções de serviço  
e de montagem



Household Appliances



de Seite 3–15

it pagina 55–67

en page 16–28

es página 68–80

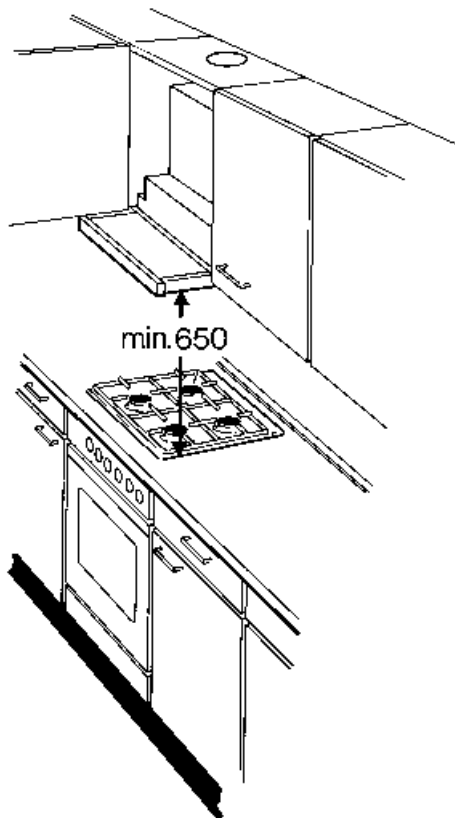
fr page 29–41

pt página 81–93

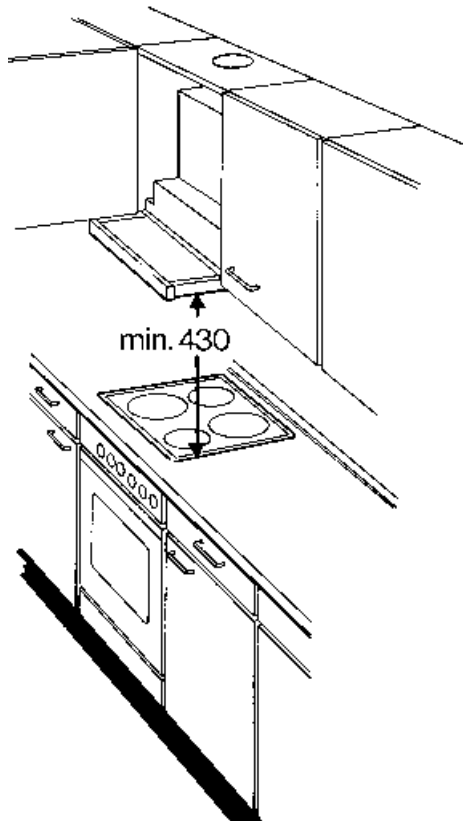
nl pagina 42–54

Abb. 1

GAS  
GAZ  
KAASU  
GASS

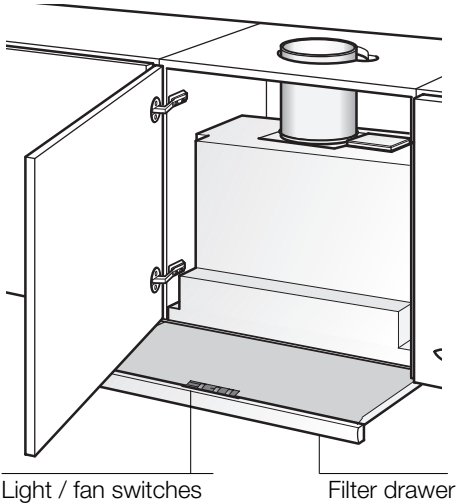


ELEKTRO  
ELECTR.  
ELETT.  
EL.



## Operating instructions:

### Description of appliance



### Operating modes

#### Exhaust-air mode:

- The extractor-hood fan extracts the kitchen vapours and conveys them through the grease filter into the atmosphere.
- The grease filter absorbs the solid particles in the kitchen vapours.
- The kitchen is kept almost free of grease and odours.

**⚠ If the extractor hood is operated in exhaust-air mode at the same time as a flue-type heater** (e.g. gas, oil or solid-fuel heater, instantaneous water heater, boiler), **ensure that there is an adequate air supply** which the heater requires for combustion.

Safe operation is possible provided that the partial vacuum in the room in which the heater is installed does not exceed 4 Pa (0.04 mbar).

### Operating modes

This can be achieved if the combustion air is able to flow through non-lockable openings, e.g. in doors, windows and in conjunction with an air supply/air-intake wall box or by other technical procedures such as reciprocal interlocking.

**If the air intake is inadequate, there is a risk of poisoning from combustion gases which are drawn back into the room.**

An air-intake/exhaust-air wall box by itself is no guarantee that the limiting value will not be exceeded.

Note: When assessing the overall requirement, the combined ventilation system for the entire household must be taken into consideration. This rule does not apply to the use of cooking appliances, such as hobs and ovens.

Unrestricted operation is possible if the extractor hood is used in recirculating mode – with activated carbon filter.

#### Circulating-air mode:

- An activated carbon filter must be fitted for this operating mode (see Filters and maintenance).
  - ⚠** The complete installation set and replacement filters can be obtained **from specialist outlets**. The corresponding accessory numbers can be found at the end of these operating instructions.
- The extractor-hood fan extracts the kitchen vapours which are purified in the grease filter and activated carbon filter and then conveyed back into the kitchen.
- The grease filter absorbs the grease particles in the kitchen vapours.
- The activated carbon filter binds the odorous substances.
- ⚠** If no activated carbon filter is installed, it is not possible to bind the odorous substances in the cooking vapours.



## Before using for the first time

### Important notes:

- ❑ The Instructions for Use apply to several versions of this appliance. Accordingly, you may find descriptions of individual features that do not apply to your specific appliance.
- ❑ This extractor hood complies with all relevant safety regulations.

**Repairs** should be carried out by qualified technicians only.

**Improper repairs may put the user at considerable risk.**

- ⚠ Do not use the appliance if damaged.
- ⚠ The appliance is not intended for use by young children or infirmed persons without supervision. Young children should be supervised to ensure they do not play with the appliance.
- ⚠ If the connecting cable for this appliance is damaged, the cable must be replaced by the manufacturer or his customer service or a similarly qualified person in order to prevent serious injury to the user.
- ⚠ The appliance may be connected to the mains by a qualified technician only.
- ⚠ Dispose of packaging materials properly (see Installation instructions).
- ⚠ Light bulbs must always be fitted when the extractor hood is in use.
- ⚠ Defective bulbs should be replaced immediately to prevent the remaining bulbs from overloading.
- ⚠ Never operate the extractor hood without a grease filter.
- ⚠ Overheated fat or oil can easily catch fire. If you are cooking with fat or oil, e.g. chips, etc., never leave the cooker unattended.

- ❑ Before using your appliance for the first time, please read these Instructions for Use carefully. They contain important information concerning your personal safety as well as on use and care of the appliance.
- ❑ Please retain the operating and installation instructions for a subsequent owner.

⚠ Do not flambé food directly under the extractor hood.

! Risk of grease filter catching fire due to flames.

⚠ Restrictions apply to the use of the extractor hood over a solid-fuel burner (coal, wood, etc.). (See Installation instructions).

### Gas hobs / gas cookers

⚠ Always use gas hobs in a proper and safe manner.

#### Important:

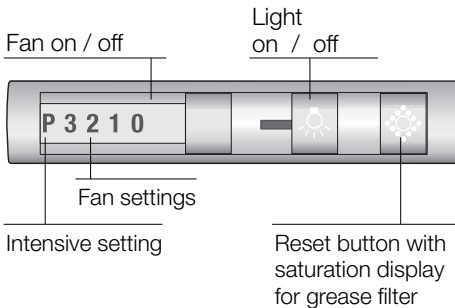
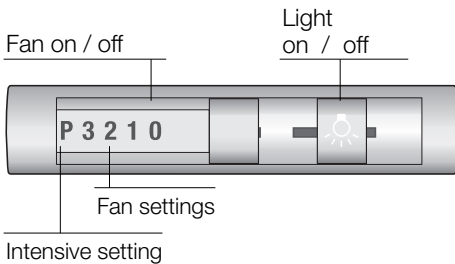
The flames from the gas hob must always be covered by pots or pans.

The intense heat generated by the gas flames could cause damage to the extractor hood.

## Operating the extractor hood

**⚠** Cooking vapours are best eliminated by:

- Switching on the extractor hood** when you start cooking.
- Only switching off the extractor hood** a few minutes after you have finished cooking.



### Switching on:

- Take hold of filter drawer handle and pull out the drawer.
- Select the required fan setting.

### Switching off:

The extractor hood can be switched off in various ways.

#### Switch-off 1:

- Sliding switch to 0 – switch off fans.

#### Switch-off 2:

- Push in filter drawer to stop. (Sliding switch remains as selected).
- To switch on the extractor again**, just pull out the filter unit. The extractor hood will start at the most recent fan setting.

### Light:

The light can be switched on at any time even when the appliance is off or the filter drawer is inserted.

## Faults

If you have any queries or the appliance is faulty, please call customer service (see list of customer service units).

Please give the following details when you call:

**Product no. (E-Nr.)    Serial no. (FD)**

Enter the numbers in the above box. The numbers can be found on the rating plate inside the extractor hood following removal of the filter screen.



## Filters and maintenance

### Grease filters:

**Metal-mesh filters** are used to trap the grease particles in the cooking vapours.

The filter mats are made from non-combustible metal.

### Caution:

As the filter becomes more and more saturated with grease, there is an increased risk of fire and the function of the extractor hood may be impaired.

### Important:

Clean the metal-mesh grease filters at regular intervals to prevent the risk of fire from the accumulation of heat when deep-fat frying or roasting.

- ❑ If used in normal mode (daily 1 to 2 hours), the metal-mesh grease filter must be cleaned 1x a month.

### Saturation indicator:

When the grease filter is saturated, the indicator starts flashing.

You should now change the grease filter if you have not already done so.

- ❑ Ensure that the grease filters are cleaned at regular intervals (approx. 1 month).

### Cleaning the metal-mesh grease filters:

- ❑ The filters can be cleaned in a dishwasher. However, they may become slightly discoloured.

### Important:

Do not wash highly saturated metal-mesh grease filters with other utensils.

- ❑ If cleaning the filters by hand, soak them in a hot soap solution. Then brush the filters, rinse thoroughly and leave to drain.

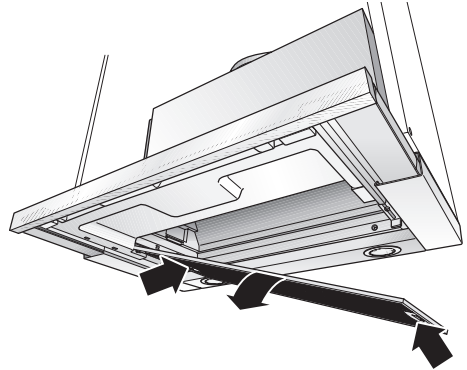
### Removing and inserting the metal-mesh grease filters:



**Warning:** The halogen bulbs must be switched off and cool.

1. Pull the filter drawer all the way out.
2. Depress both catches at the front of the grease filter and remove the grease filter.



3. Depress the catches at the rear of the grease filter and remove the grease filter.



4. Clean the filters.
5. Insert the clean filters back into the hood.
6. **Cancel the  in the display.**
  - ❑ Press the  button.

## Filters and maintenance

### Activated carbon filter:

**For neutralizing odours in recirculating mode.**

#### Caution:

As the filter becomes more and more saturated with grease, there is an increased risk of fire and the function of the extractor hood may be impaired.

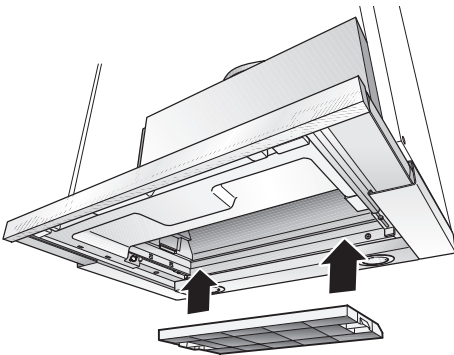
#### Important:

Change the activated carbon filter promptly to prevent the risk of fire from the accumulation of heat when deep-fat frying or roasting.

#### Inserting the filter:

**Warning:** The halogen bulbs must be switched off and cool.

1. Remove the metal-mesh filters (see "Removing and inserting the metal-mesh grease filters").
2. Insert the activated carbon filter.



3. Engage the catches at both sides.
4. Insert the metal-mesh grease filters (see "Removing and inserting the metal-mesh grease filters").

#### Removing the filter:

**Warning:** The halogen bulbs must be switched off and cool.

1. Remove the metal-mesh filters.
2. Depress the catches on both sides of the filter and remove the activated carbon filter.
3. Replacing the activated carbon filter:
  - A replacement filter can be obtained from any authorized dealer (see optional accessories).
  - Use original filters only.** This will ensure maximum performance.
4. Insert the grease filters.

#### Disposing of the old activated carbon filter:

- Activated carbon filters do not contain any pollutants and can be disposed of with domestic refuse.



---

## Cleaning and care

---

### Isolate the extractor hood by pulling out the mains plug or switching off the fuse.

- When cleaning the grease filters, remove grease deposits from accessible parts of the housing. This prevents the risk of fire and ensures that the extractor hood continues operating at maximum efficiency.
- Clean the extractor hood with a hot soap solution or a mild window cleaner.
- Do not scrape off dried-on dirt but wipe off with a damp cloth.
- Do not use scouring agents or abrasive sponges.
- Note:** Do not use alcohol (spirit) on plastic surfaces, as dull marks may appear.

**Caution:** Ensure that the kitchen is adequately ventilated. Avoid naked flames!

**⚠** Clean the operating buttons with a mild soapy solution and a soft, damp cloth only. Do not use stainless-steel cleaner to clean the operating buttons.

### Stainless steel surfaces:

- Use a mild non-abrasive stainless steel cleaner.
- Clean the surface in the same direction as it has been ground and polished.

**⚠** Do not use any of the following to clean stainless steel surfaces: abrasive sponges, cleaning agents containing sand, soda, acid or chloride!

### Aluminium and plastic surfaces:

- Use a soft, non-linting window cloth or micro-fibre cloth.
- Do not use dry cloths.
- Use a mild window cleaning agent.
- Do not use aggressive, acidic or caustic cleaners.
- Do not use abrasive agents.

---

## Replacing the light bulbs

---

1. Switch off the extractor hood and pull out the mains plug or switch off the electricity supply at the fuse box.

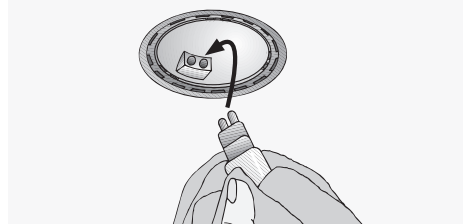
**⚠** When switched on, the halogen bulbs become very hot. Even for some time after the bulbs have been switched off there is still a risk of burns.

2. Remove the bulb ring with a screwdriver or similar tool.



3. Replace the halogen light bulb (conventional halogen bulb, 12 Volt, max. 20 Watt, G4 bulbholder).

**Caution:** Plug-in bulbholder. Take hold of the bulb with a clean cloth.



4. Re-insert the bulb ring.
5. Restore the power by inserting the mains plug or switching on the fuse.

**Note:** If the light does not function, check that the bulbs have been inserted correctly.



## Installation Instructions:

### Important information

⚠ Old appliances are not worthless rubbish. Valuable raw materials can be reclaimed by recycling old appliances. Before disposing of your old appliance, render it unusable.

⚠ You received your new appliance in a protective shipping carton. All packaging materials are environmentally friendly and recyclable. Please contribute to a better environment by disposing of packaging materials in an environmentally-friendly manner.

Please ask your dealer or inquire at your local authority about current means of disposal.

⚠ The extractor hood can be used in exhaust air or circulating air mode.

⚠ Always mount the extractor hood over the centre of the hob.

⚠ Minimum distance between electric hob and bottom edge of extractor hood: **430 mm**, Fig. 1.

#### Additional information concerning gas cookers:

⚠ When installing gas hotplates, comply with the relevant national statutory regulations (e.g. in Germany: Technische Regeln Gasinstallation TRGI).

⚠ Always comply with the currently valid regulations and installation instructions supplied by the gas appliance manufacturer.

⚠ Only one side of the extractor hood may be installed next to a high-sided unit or high wall. Gap at least 300 mm.

⚠ **The installation of the extractor hood above gas cooking devices**, at a minimum height of **650 mm** – Fig. 1 – is permitted provided that the following nominal heat loads (Hs) are not exceeded:

#### ❑ Gas cookers

|                       |             |
|-----------------------|-------------|
| Load of one hotplate  | max. 3.0 kW |
| Load of all hotplates | max. 8.3 kW |
| Load of the oven      | max. 3.9 kW |

#### ❑ Gas hobs

|                       |              |
|-----------------------|--------------|
| Load of one hotplate  | max. 3.9 kW  |
| Load of all hotplates | max. 11.3 kW |

#### ❑ Gas ceramic hotplate

The nominal heat load specifications do not apply to closed gas ceramic hobs. Always observe the specifications of the hob manufacturer.

#### ❑ Solid-fuel cookers

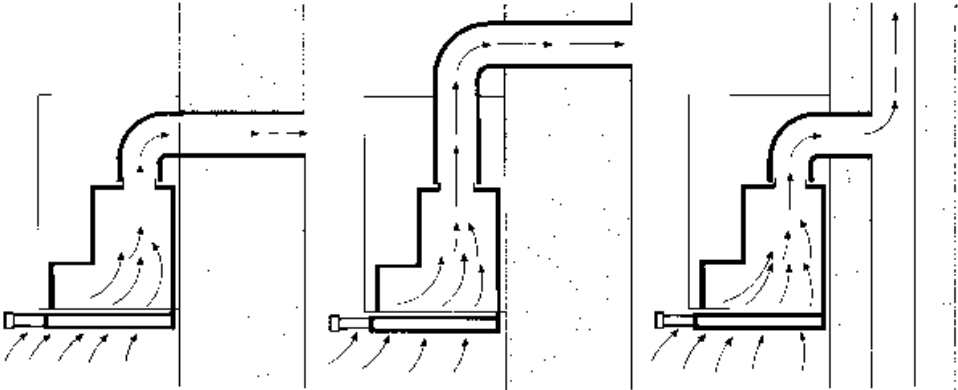
The maximum nominal heat loads and the minimum distance are the same as for gas cookers.

⚠ The extractor hood must not be installed over a solid fuel cooker – a potential fire hazard (e.g. flying sparks) – unless the cooker features a **closed, non-removable cover** and all national regulations are observed.

⚠ The smaller the gap between the extractor hood and hotplates, the greater the likelihood that droplets will form on the underside of the extractor hood.



### Exhaust-air mode



The exhaust air is discharged upwards through a ventilation shaft or directly through the outside wall into the open.

✎ Exhaust air must not be discharged via a smoke or exhaust gas flue which is already in use or via a shaft which is used for ventilating rooms in which fireplaces are located.

**Discharge exhaust air in accordance with official and statutory regulations (e.g. national building regulations).**

Discharge of air into smoke or exhaust air flues which are not in use requires the consent of a heating engineer.

✎ **If the extractor hood is operated in exhaust-air mode at the same time as a flue-type heater** (e.g. gas, oil or solid-fuel heater, instantaneous water heater, boiler), **ensure that there is an adequate air supply** which the heater requires for combustion.

Safe operation is possible provided that the partial vacuum in the room in which the heater is installed does not exceed 4 Pa (0.04 mbar).

This can be achieved if the combustion air is able to flow through non-lockable openings, e.g. in doors, windows and in conjunction with an air supply/air-intake wall box or by other technical procedures such as reciprocal interlocking.

**If the air intake is inadequate, there is a risk of poisoning from combustion gases which are drawn back into the room.**

An air-intake/exhaust-air wall box by itself is no guarantee that the limiting value will not be exceeded.

Note: When assessing the overall requirement, the combined ventilation system for the entire household must be taken into consideration. This rule does not apply to the use of cooking appliances, such as hobs and gas cookers.

The extractor hood can be used without restriction in circulating air mode – with an activated carbon filter.

**For exhaust air mode** a one-way flap should be installed in the extractor hood unless already installed in the exhaust air pipe or wall box.

If a one-way flap is not enclosed with the extractor hood, you purchase one from your dealer.

**If the exhaust air is conveyed through the outside wall,** a telescopic wall box should be used.

## Before installation

### Optimum efficiency of the extractor hood:

- Short, smooth exhaust pipe.
- As few bends as possible.
- Pipe diameter as large as possible (ideally 150 mm dia.) and wide pipe bends.

**If long, rough exhaust-air pipes, many pipe bends or smaller pipe diameters are used, the air extraction rate will no longer be at an optimum level and there will be an increase in noise.**

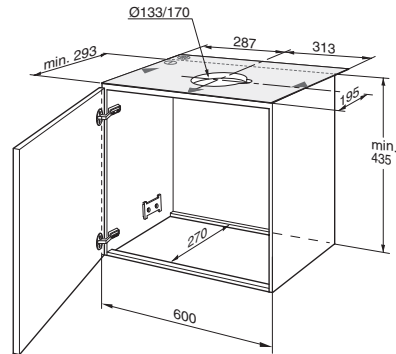
- Round pipes**  
**Short exhaust air pipe:**  
inside diameter **min. 120 mm**,  
**Longer exhaust air pipe:**  
inside diameter **min. 150 mm**.
- Flat ducts** must have an **inside cross-section equivalent** to that of the round pipes.  
**There should be no sharp bends.**  
Ø 120 mm dia. approx. 113 cm<sup>2</sup>  
Ø 150 mm dia. approx. 177 cm<sup>2</sup>
- If pipe diameters differ**, insert sealing strip.
- Ensure that there is an adequate air supply for **exhaust air mode**.

### Exhaust air directed backwards:

Only possible inside tall wall cupboards depending on the size of the exhaust air pipe.

- Make a hole in the rear panel of the wall cupboard, cutting out a notch for the power supply cable.

### Exhaust air directed upwards:



1. Make a hole in the top of the wall cupboard, cutting out a notch for the power supply cable.  
– template ① enclosed –.
2. If fitted, cut out the cupboard base to a min. depth of 270 mm over the entire width.

### Connecting a 150 mm exhaust pipe:


- Attach the exhaust pipe directly to the air connector.

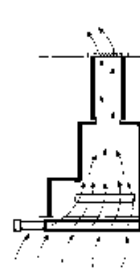
### Connection of 120 mm Ø exhaust air pipe:

- Attach enclosed reducing connector to the air outlet.  
Holes in the air outlet must be sealed.
- Attach exhaust air pipe to the reducing connector.

### Circulating-air mode

- With activated carbon filter if exhaust-air mode is not possible.

 The complete installation set can be obtained **from specialist** outlets. The corresponding accessory numbers can be found at the end of these operating instructions.



## Preparing the wall cupboard

**This extractor hood** is designed to be installed in a wall cupboard with the following dimensions:

width: 600 mm

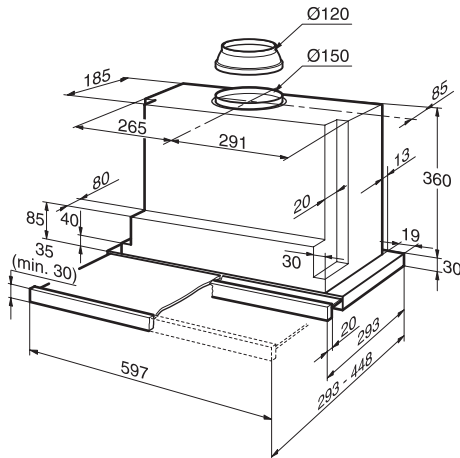
depth: 293 to 350 mm

height: min. 435 mm.

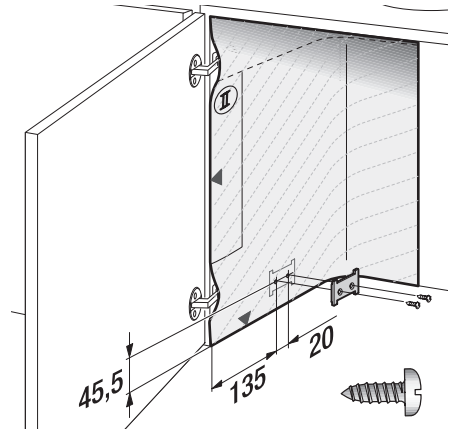
**If the cupboard is deeper than 293 mm**, the extractor hood can be moved back, e.g. to put a spice rack in front of the extractor hood.

To do this, place the template ① further back.

⚠ Ensure that the cupboard is stable both during and after installation, even if fitted at the end of a row of kitchen units.



1. Mark two attachment points on both the right and left inside faces of the cupboard and make holes with a bradawl.



When you drill:

2 mm diameter – max. 10 mm in depth.

Use the enclosed template ① to mark the attachment points.

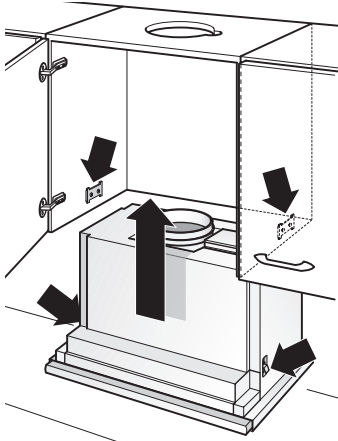
2. Screw on both attachment plates
3. Attach the door to the cupboard and align.

⚠ Observe the minimum distance between hotplates and extractor hood! Fig. 1.

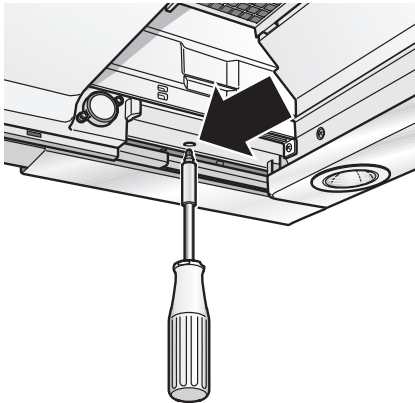
## Fitting into wall cupboard

⚠ Check door alignment and readjust if necessary.

1. Remove grease filter (see Operating instructions).
2. Lift the extractor hood into the cupboard from below until both fixing lugs have locked firmly into position.



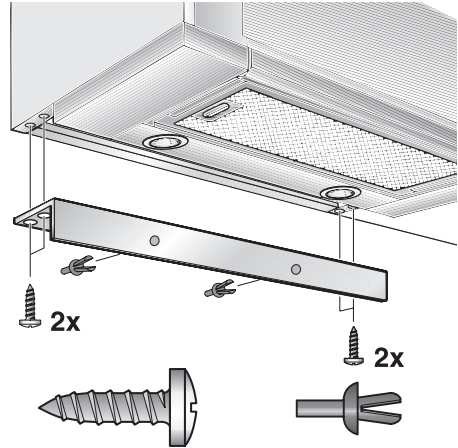
3. Tighten the two fixing screws with a screwdriver (cordless).



- Align the extractor hood in the cupboard.
- Carefully tighten both fastening screws.

⚠ Check that the extractor hood is secure in the cupboard.

4. If required, shorten the wall cover to the required dimension (e.g. saw off). Attach the wall cover with the enclosed clips. Screw the wall cover to the wall cupboard.



5. Feed the mains connection cable out of the cupboard.
6. Connect the pipes in the wall cupboard.  
– If required, attach the air hose to the cupboard ceiling –.
7. Re-insert grease filter (see Operating instructions).

**Note:** The extractor hood housing can be clad inside the wall cupboard (e.g. with chipboard).

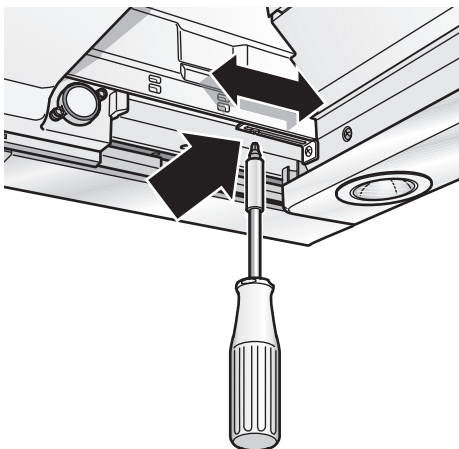
### If so, observe the following:

- The intermediate base must not be placed on the extractor hood housing.
- Never attach cladding to the housing.
- Provide access for customer service.



## Fitting into wall cupboard

- If the extractor hood is to be installed further back in the cupboard, the stops for the filter drawer can be moved forwards.
- To do this, undo the screws, move the stops and retighten the screws.



Weight in kg:

| Exhaust air | Circulating air |
|-------------|-----------------|
| 13,0        | 13,5            |

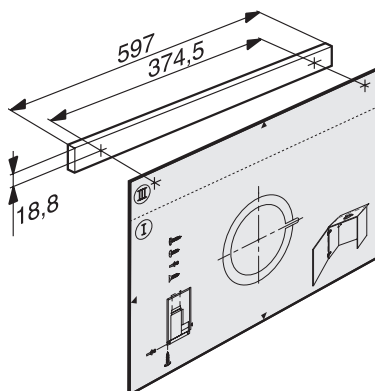
We reserve the right to construction changes within the context of technical development.

### Attaching the handle moulding:

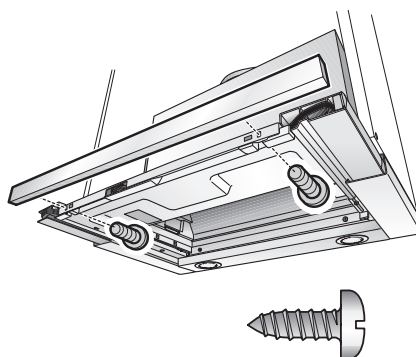
**A handle moulding must be attached to the filter drawer.**

This handle moulding may be a wooden strip which matches the kitchen units or a handle moulding available as an optional accessory (see optional accessories on the back page).

1. Using the enclosed template (III), mark the attachment points on the wooden strip and make holes with a bradawl. When you drill:  
2 mm dia – max. 10 mm in depth.



2. Align handle moulding and screw to the appliance.



## Electrical connection

### **WARNING: THIS APPLIANCE MUST BE EARTHED**

#### **IMPORTANT: Fitting a Different Plug:**

The wires in the power cord are colour-coded as follows:

|                  |           |
|------------------|-----------|
| Green and Yellow | – Earth   |
| Blue             | – Neutral |
| Brown            | – Live    |

If you fit your own plug, the colours of these wires may not correspond with the identifying marks on the plug terminals.

Proceed as follows:

1. Connect the green and yellow (Earth) wire to the terminal in the plug marked 'E' or with the symbol (  $\equiv$  ), or coloured green or green and yellow.
2. Connect the blue (Neutral) wire to the terminal in the plug marked 'N' or coloured black.
3. Connect the brown (Live) wire to the terminal marked 'L', or coloured red.

The extractor hood may be connected to a correctly installed earthed socket only. Attach the earthed socket near the extractor hood in an accessible position.

- The earthed socket should be connected via its own power circuit.

**⚠** If appliances do not feature the OFF delay function, the indicator may start flashing when the extractor hood has been switched off for several hours via a separate switch, even though the grease filters are not yet saturated.

(See instructions for use, section on filter and maintenance).

### **Electrical specifications:**

These can be found on the rating plate inside the appliance following removal of the filter frames.

**⚠** Before carrying out repairs, always isolate the appliance.

**Length of the connection cable: 1.30 m.**

### **If permanent connection is required:**

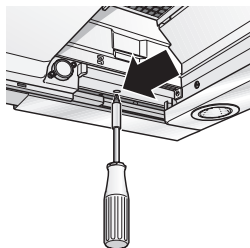
The extractor hood may only be connected by an electrician registered with the local electricity board.

A disconnecting device must be provided on the installation side. Switches with a contact opening of more than 3 mm and all-pole disconnection are regarded as disconnecting devices. These include LS switches and contactors.

This extractor hood complies with EU regulations on interference suppression.

## Removal from the wall cupboard

1. Disconnect from power.
2. Disconnect pipes.
3. Remove filters.
4. Undo right and left fixing screws until the extractor hood cannot drop any further.



- ⚠** Do not lift the extractor hood when undoing the fixing screws.
5. Raise the extractor hood briefly until the fixing lugs detach and the appliance can be lowered.
    - ⚠** Fastening screws may project. When raising the extractor hood, do not force in the filter drawer.
  6. **Preparing for re-installation:** Screw in the left and right fixing screws until the lugs are pressed out at the sides.



---

## Notes

---



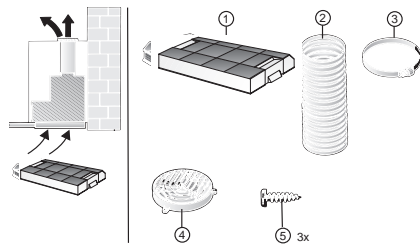
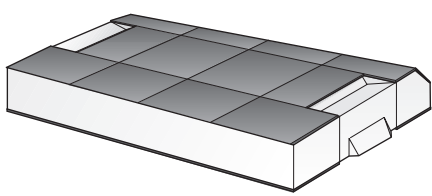
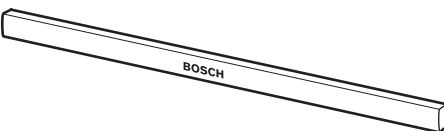
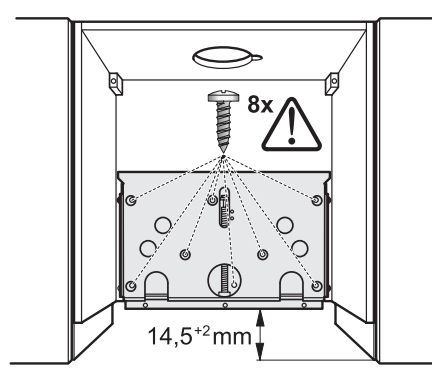


---

## Notes

---



|  |  |
|--|--|
|    | <p>DHZ 4505</p>  |
|   | <p>434229</p>  |
|   | <p>Aluminium: DHZ 4670<br/>Metall: DHZ 4650</p>  |
| <p>Absenkrahmen<br/>Lowering frame<br/>Du cadre<br/>d'abaissement<br/>Befestigungsframe<br/>Dei telai per<br/>l'abbassamento<br/>Bastidor para bajar</p> |  <p>DHZ 4600</p> |



