
HOOVER®

Washing machine

Instructions for use

DYNAMIC
STEAM

Kg MODE
SUPER SILENT 



Introduction

Please read these instructions for use carefully and all other information enclosed with the washing machine.

Keep all documentation in a safe place for future reference or for any future owners.

Note: this machine is solely for domestic use.

Notes on disposal

All packaging material used is environmentally-friendly and recyclable. Please help dispose of the packaging via environmentally-friendly means.

Your supplier or local council will be able to give you details of current means of disposal.

Valuable materials can be salvaged from an old appliance via scrap reprocessing.

Note: pull out the mains plug from any old appliance. Cut the power cable and dispose of it, together with the plug.

When disposing of an old washing machine, please ensure that the door lock is rendered inoperable to prevent children shutting themselves in the appliance.

Contents

Page

Introduction	2
General delivery notes	4
Safety notes	4
Quick start	5
Description of controls	6
Programme Table	14
Programme buttons	16
Detergent drawer	18
Detergents, washing aids and amounts to use	19
Useful advice for the user	21
The main wash	22
Cleaning and routine maintenance	24
Investigating malfunctions	26
Technical data	27
Setting up + installation	28

BEFORE SWITCHING ON THE APPLIANCE MAKE SURE IT IS CORRECTLY INSTALLED AND THAT THE TRANSIT BRACES ARE REMOVED AS SHOWN IN PAGE 28.

General delivery notes

Please check that the following items are delivered with the appliance:

- Instruction manual
- Certificate of guarantee
- Inlet hose
- Liquid detergent or liquid bleach compartment

Check that no damage has occurred during transit, and if so, call your nearest Authorised Hoover Service Centre.

Safety notes.

Note:
for cleaning or maintenance of the washing machine.

- A) Pull out the plug
- B) Turn off the tap
- C) **Hoover** equips all its appliances with earthing. Ensure that the mains supply is earthed, and if it is not, seek assistance from a qualified person.
- D) Do not touch the appliance when hands or feet are wet or damp. Do not use the appliance with bare feet.
- E) **WARNING:** Do not use this appliance with a cord extension set, multiple connector or electrical portable outlet device due to risk of overload, splashing or ingress of moisture.

Note:
water temperature can reach 90°C during the wash cycle.

- F) Check there is no water left in the drum before opening the door.
- G) This appliance is not intended for use by persons (including children) with reduced physical, sensory or mental capabilities, or lack of experience and knowledge, unless they have been given supervision or instruction concerning use of the appliance by a person responsible for their safety.
Children should be supervised to ensure that they do not play with the appliance.
- H) Do not pull the power cable or the appliance itself to remove the plug from the socket.
- I) The appliance must not be exposed to weather conditions (rain, direct sun, etc...)
- L) When moving the appliance never lift it by the controls or by the detergent drawer.
When in transit never rest the door against the trolley or transport the appliance without the polystyrene base.

M) **N.B!**

If the appliance is installed on a carpeted floor ensure that the ventilation holes on the base of the appliance are not obstructed.

- N) If the appliance is not running properly or breaks down, switch it off, turn off the tap and do not tamper with the appliance.

Consult only the Authorised Hoover Service Centre for possible repair and ask them to use original spare parts.

Failure to comply with the above can compromise the safety of the appliance.

- O) If the appliance's power cable should ever need replacing, consult the Authorised Hoover Service Centre.

Quick start

Washing

- Open the door by using the handle "A" (Fig. 1, page 6)
- Select laundry and put it in the machine
- Close the door
- Put detergent in the compartments as indicated in the programme guide in this instruction manual
- Switch on the appliance by the ON/OFF button
- Select the required programme
- The display will show the settings for the programme selected.
- Adjust the wash temperature if necessary.

Press additional function buttons (if required)

- Press the "Start/Pause" button
- The programme starts.

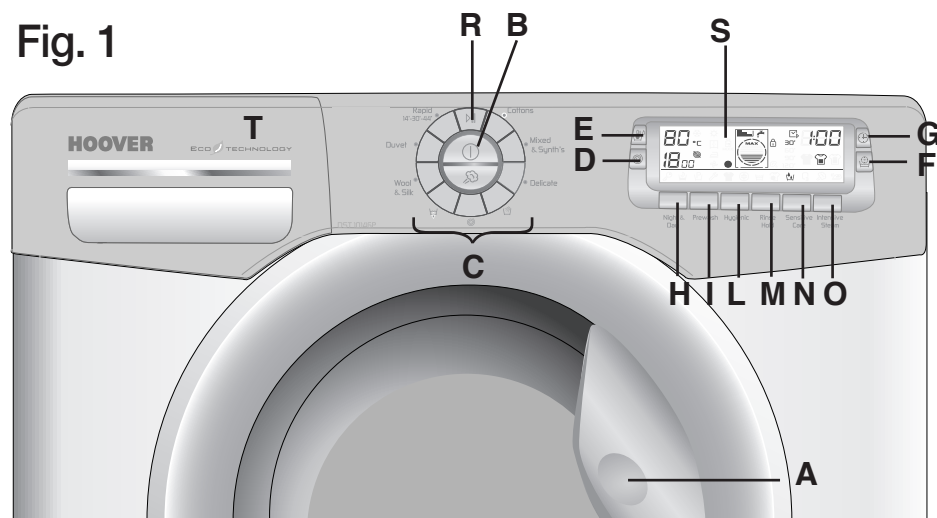
After washing

- **The word "End" will appear on the display.**
- **Wait for the door lock to be released (about 2 minutes after the programme has finished). The "Door Security" indicator light will go out.**
- **Switch off the appliance by pressing the ON/OFF button**
- **Open the door and remove the laundry.**

Ensure that the machine is correctly installed in line with the instructions found on page 29.

Description of controls

Fig. 1



Door handle	A
"On/off" button	B
Programme selection buttons	C
"Spin Selection" button	D
"Wash Temperature" button	E
"Wash time" button	F
"Delay Start" button	G
"Night & Day" button	H
"Prewash" button	I
"Hygienic" button	L
"Rinse hold" button	M
"Sensitive care" button	N
"Intensive steam" button	O
"Start/Pause" button	R
Digital Display	S
Detergent drawer	T

Door handle

Press the finger-bar inside the door handle to open the door.

A

ON/OFF Button



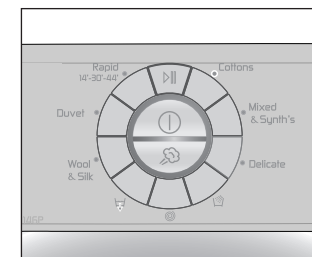
Press this button to switch ON/OFF the appliance.

B

PROGRAMME SELECTION buttons

C

Pressing a programme button the display lights up to show the settings for the programme selected.
N.B. To switch the machine off press the ON/OFF button



Today, most detergents have been improved to wash efficiently at lower temperatures, therefore we have set the default temperature settings of each programme to a lower level, saving electricity and reducing the carbon footprint of your machine. You can select an high temperature by pressing the temperature button.
 Please refer to the programme guide for the maximum temperature to which each programme can be set.

Press the START button to start the selected cycle

When the cycle ends, switch off the appliance by pressing the ON/OFF button

“SPIN SELECTION” button

D

The spin cycle is very important to remove as much water as possible from the laundry without damaging the fabrics. You can adjust the spin speed of the machine to suit your needs.

By pressing this button, it is possible to reduce the maximum speed, and if you wish, the spin cycle can be cancelled.

To reactivate the spin cycle press the button until you reach the spin speed you would like to set.

To prevent damage to the fabrics, it is not possible to increase the speed over that which is automatically suitable during the selection of the program.

It is possible to modify the spin speed without to pausing the machine.

Note:

The machine is fitted with a special electronic device, which prevents the spin cycle should the load be unbalanced.

This reduces the noise and vibration in the machine and so prolongs the life of your machine.

“WASH TEMPERATURE button”

E

When a programme is selected on the display it shows the recommended wash temperature.

The temperature button can be used to decrease or increase the temperature of your chosen wash cycle.

Each time the button is pressed, the new temperature level is shown on the display.

“WASH TIME” button

F

By selecting this button (active only on COTTON and MIXED FIBRES programmes) there is a choice of 3 levels of wash times (long, medium and short), depending on how much the fabrics are soiled.

Once the programme has been selected the indicator light will automatically show the minimum level required for that programme. Pressing the button increases the duration of the wash cycle, and adjusts the wash settings accordingly. For example: Using this button on the Rapid Wash cycle will enable you to select either a 14 (min.), 30 or 44 (max) minute wash cycle.

“DELAY START” button

G

This button allows you to pre-programme the wash cycle to delay the start of the cycle for up to 24 hours.

To delay the start use the following procedure:

- Switch on the appliance by the ON/OFF button
- Select the required programme

Press the button once to activate it (h00 appears on the display) and then press it again to set a 1 hour delay (h01 appears on the display); the pre-set delay increases by 1 hour each time the button is pressed, until h24 appears on the display, at which point pressing the button again will reset the delay start to zero.

Confirm by pressing the “START/PAUSE” button (the light on the display starts to flash). The countdown will begin and when it has finished the programme will start automatically.

It is possible to cancel the delay start by taking the following action:

Press and hold the button for 5 seconds until the display will show the settings for the programme selected.

At this stage it is possible to start the programme previously selected by pressing the START/PAUSE button or to cancel the process by pressing the ON/OFF button.

Warning: If there is any break in the power supply while the machine is operating, a special memory stores the selected programme and, when the power is restored, it continues where it left off.

The option buttons should be selected before pressing the "Start/Pause" button.

“NIGHT & DAY” Button

H

Press this button (available for all the washing programmes) to reduce the intermediate spin speed to 400 rpm, where applicable; the water level is increased during rinsing and the washing is kept immersed in water after the final rinse in order to spread the fibres evenly.

During the phase in which the water is held in the tub, the indicator lights to show that the machine is at a standstill.

Release the button to end the cycle with a spin dry (which may be reduced or cancelled using the appropriate button) and emptying phase.

Thanks to electronic control, the water in the intermediate phases is emptied silently, making this option very useful for washing at night.

“PRE-WASH” Button


I

This option is particularly useful for heavily soiled loads and can be used only on some programmes as shown in the programmes table.

Detergent for this programme should be added to the compartment of the soap drawer labelled “I” (Please refer to Detergent Drawer Section of manual). We recommend you use only 20% of the recommended quantities shown on the detergent pack and fabric conditioner should not be used for this programme.

“HYGIENIC” Button

L

It's a special rapid and powerful cycle, combined with the heating steam action and designed specifically to reduce 99,9% of contaminating agents; typically found on the hand washed laundry or colored fabrics washed with cool programs. Appropriate with cottons and synthetic programs with temperature equal or greater than 40 C°. Suitable for Cotton or Synthetic garments with label recommendation  as washing temperature at least 40C°.

“RINSE HOLD” button

M

Pressing this button means the cycle stops at the final rinse stage, leaving the drum filled with water.

The garments thus stay immersed in the water, preventing them from bunching up and forming creases that are difficult to remove.

During the phase in which the water is held in the tub, the indicator blinks to show that the machine is at a standstill. Release the button to end the cycle with a spin (which may be reduced or cancelled using the appropriate button) and emptying phase.

“SENSITIVE CARE” button

N

By pressing this button you can activate a special new wash cycle in the **Cotton** and **Mixed Fabrics** programs, thanks to the new Sensor System. This option treats with care the fibres of garments and the delicate skin of those who wear them.

The load is washed in a much larger quantity of water and this, together with the new combined action of the drum rotation cycles, where water is filled and emptied, will give you garments which have been cleaned and rinsed to perfection. The amount of water in the wash is increased so that the detergent dissolves perfectly, ensuring an efficient cleaning action. The amount of water is also increased during the rinse procedure so as to remove all traces of detergent from the fibres. This function has been specifically designed for people with delicate and sensitive skin, for whom even a very small amount of detergent can cause irritation or allergy.

You are advised to also use this function for children's clothing and for delicate fabrics in general, or when washing garments made of towelling, where the fibres tend to absorb a greater quantity of detergent. To ensure the best performance for your wash, this function is always activated on the Delicates and Woollens.

“INTENSIVE STEAM” Button

O

This special option activates on normal cottons & synthetic washing cycle the penetrating and de-greasing steam action. The combination of water and steam offers a completely professional washing cycle.

“START/PAUSE” button

R

Press to start the selected cycle .

NOTE:
FEW SECONDS AFTER THE START, THE KG MODE FUNCTION (ACTIVE ONLY ON COTTON AND SYNTHETICS PROGRAMMES) WILL WEIGH THE CLOTHES AND UPDATE THE MAXIMUM WASH TIME REMAINING WITHIN THE FIRST 4 MINUTES OF THE WASH CYCLE.
WHILE THIS FUNCTION IS OPERATING THE KG MODE INDICATOR IS ON.

Changing the settings after the programme has started (PAUSE)

Once the programme has started the settings can only altered by pressing the relevant buttons.

Press and hold the “START/PAUSE button for about 2 seconds, the flashing light on the START/PAUSE button and time remaining will show that the machine has been paused, adjust as required and press the START/PAUSE button again to cancel the flashing light. If you wish to add or remove items during washing, wait 2 minutes until the safety device unlocks the door.

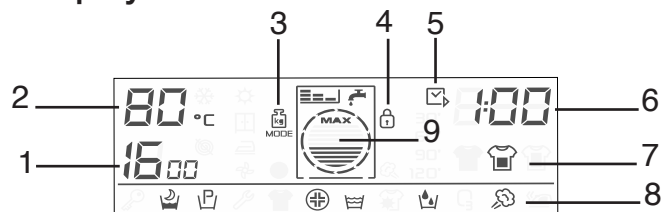
When you have carried out the manoeuvre, close the door, press "Start/Pause" button and the appliance will continue working where it left off.

CANCELLING THE PROGRAMME

To cancel the programme press and hold the START/PAUSE button for about 5 seconds.

“DIGITAL” Display

S



The display's indicator system allows you to be constantly informed about the status of the machine:

1) SPIN SPEED

Once the programme has been selected, the maximum spin speed allowed for that programme appears on the display. Pressing the spin button will reduce the speed by 100 rpm each time the button is pressed. The minimum speed allowed is 400 rpm, or it is possible to omit the spin by pressing the spin button repeatedly.

2) WASH TEMPERATURE

When a programme is selected on the display is show the recommended wash temperature. The temperature button can be used to decrease or increase the temperature of your chosen wash cycle.

Each time the button is pressed, the new temperature level is shown on the display.

3)Kg MODE Indicator

Available on Cotton and Synthetic cycles, during the first 4 minutes of the cycle the intelligent sensor will weigh the laundry and adjust the cycle time, water and electricity consumption accordingly.

4) DOOR LIGHT

The “Door Security” indicator light is illuminated when the door is fully closed and the machine is ON. When "Start/Pause" is pressed on the machine with the door closed the indicator will flash momentarily and then illuminate.

If the door is not closed the indicator will continue to flash. A special safety device prevents the door from being opened immediately after the end of the cycle. Wait for 2 minutes after the wash cycle has finished and the “Door Security” light has gone out before opening the door.

5) DELAY START LIGHT

This flashes when delay start has been set.

6) WASH CYCLE TIME

When a programme is selected the display automatically shows the maximum cycle duration for a full load, which can vary, depending on the options selected. Once the programme has started you will be kept informed constantly of the time remaining to the end of the wash. The appliance calculates the time to the end of the selected programme based upon a standard loading, during the cycle, the appliance corrects the time to that applicable to the size and composition of the load.

7) WASH TIME

When a programme is selected the relevant indicator will light up to show the minimum possible Wash time.

Selecting a greater Wash time using the special button will cause the corresponding indicator to light up.

8) BUTTONS INDICATOR LIGHT

These light up when the relevant buttons are pressed.

If an option is selected but it is not compatible with the selected programme then the symbol first flashes and then goes off.

9) MAXIMUM LOADING CAPACITY and DETERGENT INDICATOR

When a programme is selected on the display is shown the maximum load of laundry suitable for that cycle and the relative detergent quantity.

Detergent:

- 20% of the maximum quantity
- - 50% of the maximum quantity
- - - maximum quantity

The detergent quantity suggested can be vary depending on how much the fabrics are soiled.

Maximum load



Every levels shown on the display is the 10% of the maximum loading capacity.

When a programme is selected the maximum capacity suggested is shown on the display.

For the programmes where the KG MODE function is active, the appliance in the first minutes it calculates the real laundry loaded, updating the levels on the display in real time.

“Kg MODE”

(Function active only on Cotton and Synthetics programmes)

Through every wash phase “Kg MODE” allows to monitor information on the wash load in the drum.

So, as soon as the “Kg MODE” is set in motion, in the first 4 minutes of the wash, it:

- adjusts the amount of water required
- determines the length of the wash cycle
- controls rinsing

according to the type of fabric selected to be washed it:

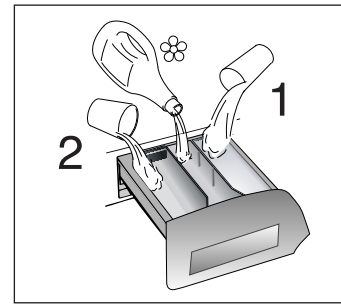
- adjusts the rhythm of drum rotation for the type of fabric being washed
- recognises the presence of lather, increasing, if necessary, the amount of water during rinsing
- adjusts the spin speed according to the load, thus avoiding any imbalance.

In this way “Kg MODE” is able to decide, by itself, the most suitable programme for each individual wash from the hundreds of possible wash combinations.

“Kg MODE” meets the need for easy use by permitting a simplified programme selection. Infact, the user need only tell the machine the type of fabric in the drum and the degree of soiling, to obtain a perfect wash with the highest level of drying possible with a spin which really cares for your clothes.

TABLE OF PROGRAMMES

PROGRAM FOR:	PROGRAMME SELECTION BUTTONS	WEIGHT MAX kg	RECOMMENDED TEMP °C	■ MAX TEMP. °C	CHARGE DETERGENT		
					2	☼	1
Resistant fabrics Cotton, linen	1) Cottons * *	9	40°	Up to: 90°	●	●	(●)
Mixed fabrics and synthetics Cotton, mixed fabrics, synthetics	1) Mixed & Synth's	4,5	40°	Up to: 60°	●	●	(●)
Very delicate fabrics	Delicate	2,5	40°	Up to: 40°	●	●	
Rinse		-	-	-	△	●	
Fast spin		-	-	-			
Drain only		-	-	-			
Wool & Silk	Wool & Silk	1,5	30°	Up to: 30°	●	●	
Duvet	Duvet	3	30°	Up to: 30°	●	●	
Rapid 14'	Rapid 14'-30'-44' *	1,5	30°	Up to: 30°	●	●	
Rapid 30'		2,5	30°	Up to: 40°	●	●	
Rapid 44'		3,5	30°	Up to: 40°	●	●	
Refresh Steam		2	-	-			



Please read these notes

**Programme tested in accordance with AS/NZS 2040.2 with the maximum Wash Time selected and a temperature of 40°C.

Programme also recommended for low-temperature washes (lower than the max. shown).

The spin speed may also be reduced, to match any guidelines suggested on the fabric label, or for very delicate fabrics cancel the spin completely this option is available with a spin speed button.

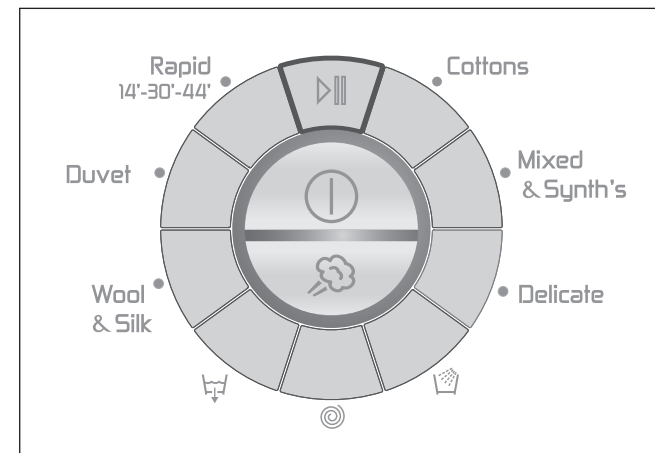
(●) Only with the Prewash button selected. (Programmes with Prewash button available)

■ Pressing the wash temperature button makes it possible to wash at any temperature below the maximum allowed.

1) For the programmes shown you can adjust the duration (long, medium and short) of the wash using the Wash Time button.

* Using the Wash Time button on the Rapid cycle will enable you to select either a 14, 30 or 44 minute wash cycle.

△ When only a limited number of articles have stains which require treatment with liquid bleaching agents, preliminary removal of stain can be carried out in the washing machine. Pour the bleach into the liquid bleach container, inserted into the compartment marked "2" in the detergent drawer, and set the special programme "RINSE" . When this phase has terminated, switch off the appliance, add the rest of the fabrics and proceed with a normal wash on the most suitable programme.



Programme Buttons

For the various types of fabrics and various degrees of dirt the washing machine has different programme bands according to: wash cycle, temperature and length of cycle (see table of washing cycle programmes).

Cottons

The Cottons programme is also designed for maximum washing and rinsing efficiency for normally soiled laundry. With spin cycles in between, the programme guarantees the laundry is rinsed perfectly. The final spin cycle ensures laundry is spun dry as much as possible up to the maximum speed. This cycle is set to 40°C, but the temperature may be altered using the Temperature option button.

Cottons 40°C with long time is recommended for normally soiled cotton cloths.

Cottons

MIXED AND SYNTHETIC FABRICS

The main wash and the rinse gives best results thanks to the rotation rhythms of the drum and to the water levels.

A gentle spin will mean that the fabrics become less creased.

Mixed
& Synth's

SPECIAL DELICATE FIBRES

This is a new wash cycle which alternates washing and soaking and is particularly recommended for very delicate fabrics.

The wash cycle and rinses are carried out with high water levels to ensure best results.

Delicate

SPECIAL "RINSE" PROGRAMME

This programme carries out three rinses with a intermediate spin (which can be reduced or excluded by using the correct button). It can be used for rinsing any type of fabric, eg. use after hand-washing.

This program can be also used as cycle of Bleaching (see table of washing cycle programmes).



SPECIAL "SPIN" PROGRAMME

Programme "SPIN" carries out a maximum spin (which can be reduced by using the correct button).



DRAIN ONLY

This programme drains out the water.



Pulse Technology

Thanks to the new generation of 3 phase motors controlled by a sophisticated electronic system, we have developed a new washing mode which simulates hand washing action during wash cycle.

The new motor allows the drum to move with a pulse action. This action of partial rotation with pauses in between creates a delicate wash only equalled to that of hand washing.

This delicate wash system applies to all programmes identified with this symbol

WOOL & SILK

This programme allows a complete washing cycle for garments specified as "Machine-Washable" Wool fabrics and laundry items made from silk or specified "Wash as Silk" on the fabric label.

The programme has a maximum temperature of 30°C and concludes with 3 rinses, one for fabric conditioner, and a slow spin.

Wool
& Silk

DUVET

This is a programme dedicated to washing a single duvet or big size laundry.

This programme washes at a cool 30°C, carries out 3 rinses (one is for fabric conditioner) and concludes with a slow spin.

We suggested to follow the instruction on the cloths label.

Duvet

REFRESH AND FAST IRONING PROGRAM BY STEAM

To be load 1/5 of the maximum capacity. This innovative program offers, thanks to the special steam action and without detergent and water, the possibility to refresh our garments and to remove the unpleasant smells such as last night's mixture of perfume, food and cigarettes. It also has another special program inside, in fact thanks to the delicate action of the steam it is able to relax all cloth fibers, taking all wrinkles out. This permits an easy ironing, suggested for shirts and skirt. Suitable for laundry with this label



RAPID PROGRAMME

The Rapid programme allows a washing cycle to be completed in just 14 minutes! This programme is particularly suited to slightly dirty cottons and mixed fabrics.

Using the Wash Time button on the Rapid cycle will enable you to select either a 14, 30 or 44 minute wash cycle.

When selecting the rapid programme, please note that we recommend you use only 20% of the recommended quantities shown on the detergent pack.

For information about these programmes please refer to the programmes table.

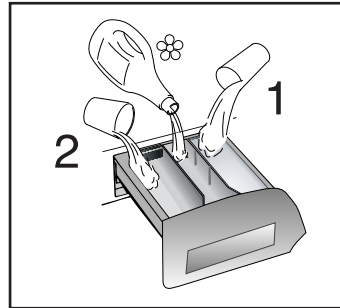
Rapid
14'-30'-44'

Detergent drawer

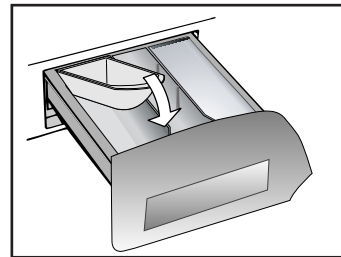
T

The detergent drawer is split into 3 compartments:

- the compartment labelled "1" is for prewash detergent;
- the compartment labelled "☼" is for special additives, fabric softeners, fragrances, starch, brighteners etc;
- the compartment labelled "2" is for main wash detergent.



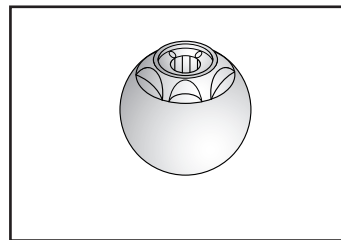
If liquid detergents are used, please insert the special container supplied into the compartment marked "2" in the detergent drawer. This ensures that the liquid detergent enters the drum at the right stage of the wash cycle.



This special container must be inserted into the compartment marked "2" in the detergent drawer, also when you wish to use the "RINSE" programme as BLEACHING cycle.

NOTE:

Some Detergents are Difficult to utilise. Ensure to use an in drum dispenser if recommended by the detergent Manufacturer.



Note: only put liquid products in the compartment labelled "☼". The machine is programmed to automatically take up additives during the final rinse stage for all wash cycles.

Detergents, washing aids and amounts to use

Choice of detergent

General purpose detergents

- **Powder detergents**, for a thorough wash, with bleaching agent, particularly suitable for use in hot wash programmes (60°C and over), for heavily soiled and stained laundry.
- **Liquid detergents**, particularly suitable for grease stains, such as greasy skin marks, cosmetics and oil.
These detergents are not suitable for washing stained laundry, as they do not contain bleach.
- **Biological detergents**, not all the products available give a really thorough wash.

Additional laundry aids

- **Water softener**, means less detergent can be used where water hardness is classed as hard to very hard.
- **Prewash substances**, for the programmed treatment of stains prior to the main wash. Using them means the subsequent wash can be at a low temperature or with bleach-free detergents.
- **Fabric softener**, prevents static build-up in synthetic fabrics and softens fabrics. If you own a tumble dryer, clothes are softened even without the use of a fabric softener.

Do not put solvents in the washing machine!

Keep detergents and other laundry products out of children's reach.

Before pouring in the detergent check that there are no foreign bodies in the detergent drawer.

Dosage details are usually shown on the detergent packaging. Follow those instructions.

Dosages

Only use detergents which are suitable for use in a washing machine.

You will obtain the best results from your wash with the minimum use of chemical products and the best care for your laundry if you take into consideration the degree of soiling as well as the type of detergent to choose.

The amount of detergent to use depends on:

- water hardness: depending on the hardness of the water and the type of detergent used, it is possible to reduce the amount of detergent.
- the degree of soiling: it is possible to reduce the amount of detergent used depending on the degree of soiling.
- amount of laundry: it is possible to reduce the amount of detergent when washing only a small amount of laundry.

Dosage for powder detergent

For normal and low concentration detergents: for normally soiled laundry choose a programme without prewash.

Put the detergent in compartment “2” of the drawer.

For heavily soiled laundry, choose a programme with prewash.

Put 1/4 of the detergent in compartment “1”, 3/4 in compartment “2” of the drawer.

When using water softeners, first put in the detergent, then add the softener to compartment “2”.

For highly concentrated detergents not in single dose format, follow what is shown on pack exactly as regards type and amount of dosage.

To avoid the difficulty of checking if the detergent has been taken up, use the dosage aids provided in the detergent packaging.

Liquid detergent dosage

Liquid detergents may be used in accordance with the instructions on the relevant packaging, for all programmes without prewash, by using the special container which is placed in the drum or, for those models that have it, in the special insert for liquid detergents.

Useful advice for users

Tips on using your domestic appliance in the most environmentally-friendly and economical way

Do a full load in your washing machine

To prevent any possible waste of energy, water or detergent we recommend that you put a full load in your washing machine, not exceed the recommended maximum load size.

Up to 50% energy saving can be made with one full load compared to two half load washes

When is prewashing really needed?

Only with particularly dirty loads!

Energy savings of 5 to 15% are made by not selecting the prewash option for normal soiled laundry.

Which wash temperature should you choose?

40°C is recommended for normally soiled laundry.

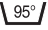
Using stain removers before machine washing reduces the need to wash at temperatures over 60°C.

Energy savings of up to 50% can be made by using a 60°C wash temperature rather than 90°C

Main wash

Sorting the laundry

- It is recommended you wash only items which are machine washable with water and detergent and not dry-clean items.
- If you need to wash rugs, bedspreads or other heavy items, it is best not to spin them.
- Sort the laundry according to fabric type, degree of soiling and wash temperature: Always follow the wash care advice on the garment label for the most suitable care and treatment of the laundry

Laundry for hot wash 

Coloured, easy-care materials   


Delicates and wool  

Wash by hand 

Items labelled with the following symbol are not suitable for machine washing:

Dry clean 

For very delicate items, such as net curtains, underwear, tights etc., you are advised to use a laundry net or wash bag.

- Woollen items must be labelled with the "Pure New Wool" symbol to be washed in the machine , and must also be labelled "non-matting" or "machine washable".
- Colour often leaks from new coloured items.

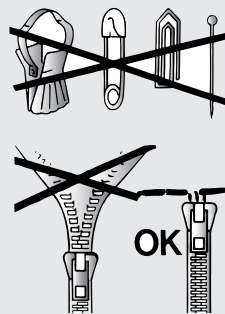
This can then colour other lighter items being washed.

We therefore recommend that coloured items should be washed for the first time separately.

For future washes, colourfast items can only be washed with whites up to 40°C.

Note: when sorting laundry

- check there are no metal objects in the laundry (such as paper clips, safety pins, pins, coins etc...);
- button up pillowcases, fasten zips, hook & eye fasteners, belts and long dressing gown cords;
- remove curtain hooks;
- pay close attention to the labels on items
- if you notice stubborn stains whilst sorting the laundry, remove them using a special detergent or a special stain remover.



- We recommend that you do not do a full load of towelling items only as these become too heavy since they absorb a lot of water.

The correct way to wash

Preparing the laundry

A) Select the laundry.

Loading the laundry

B) Open the porthole.

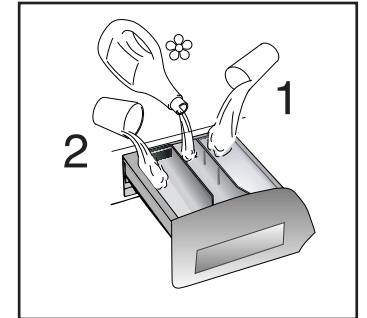
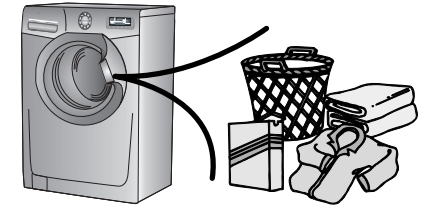
C) Put the laundry in the washing machine.

Close the porthole again, ensuring that no items of laundry are obstructing the lock.

Putting detergent in machine

D) Open the drawer, choose the detergent and put in the correct amount, according to the manufacturer's instructions and the advice on page 19.

Add any other laundry aids (see page 19). Close the drawer again.



Selecting the wash programme

Refer to the programme guide or the programme descriptions on the machine to select the most suitable programme.

- Switch on the appliance by the ON/OFF button
 - Select the required programme
- Adjust the wash temperature if necessary.

Press additional function buttons (if required).

Check that the tap is turned on and that the discharge hose is positioned correctly.

Press the "Start/Pause" button.

When the "Start/Pause" button is pressed the machine sets the working sequence in motion.

Warning: If there is any break in the power supply while the machine is operating, a special memory stores the selected programme and, when the power is restored, it continues where it left off.

When the programme is finished

The word "End" will appear on the display.

Wait for the door lock to be released (about 2 minutes after the programme has finished).

The "Door Security" indicator light will go out.

- Switch off the appliance by pressing the ON/OFF button
- Open the door and remove the laundry. Turn off the tap.

Cleaning and routine maintenance

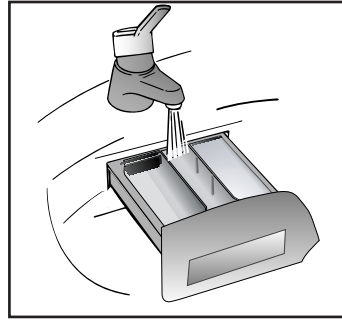
Do not use alcohol-based scourers and / or thinners on the outside of your washing machine, just a wipe with a damp cloth will suffice. The washing machine needs very little maintenance:

- Cleaning the drawer compartments.
- Cleaning the filter.
- Cleaning the door glass.

Cleaning the drawer compartments

Even if it is not strictly necessary, it is good to clean the compartments for bleaching detergents and additives occasionally.

- To do this you just need to pull them out firmly, but without forcing them.
- Clean everything in the compartment under running water.
- Put everything back in its proper place.



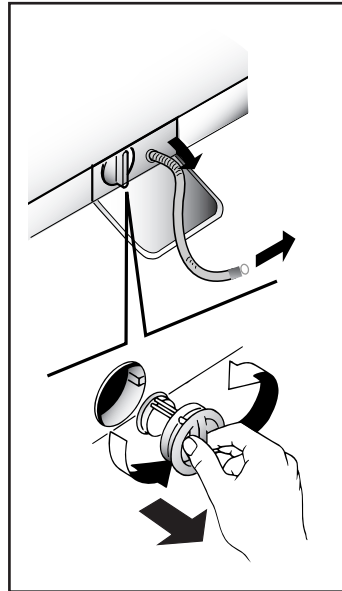
Cleaning the filter

The washing machine is fitted with a special filter for handling large deposits which could block the discharge hose (coins, buttons etc.) and which can, therefore, be easily retrieved.

We recommend that the filter be cleaned at least once a month.

The cleaning operation is as follows:

- Open the flap
- Only available on certain models:
Pull out the corrugated hose, remove the stopper and drain the water into a container.
- Before removing the filter, place an absorbent towel below the filter cap to collect the small amount of water likely to be inside the pump
- Turn the filter anti-clockwise until it stops in the vertical position.
Remove and clean.
- After cleaning, replace by turning the notch on the end of the filter clockwise. Then follow all procedures described above in reverse order.



Attention: if the filter needs cleaning while there is washing still in the drum, follow the instructions on the following page to empty the water. This will prevent excessive loss of water via the filter.

Cleaning the door glass

Regularly clean the door glass with a damp cloth. A build up of soiling and residues from the water may result in water leaking from the door.

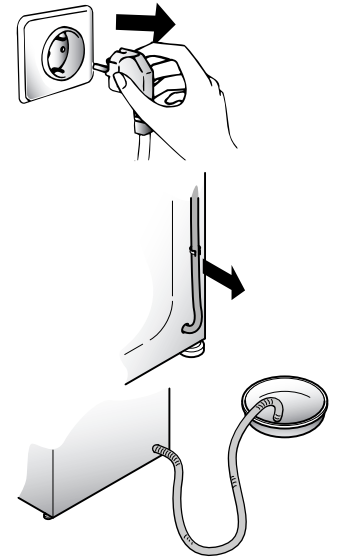
Do not use abrasive cleaners as they can scratch the surface.

Transporting the appliance or long periods when appliance is not in use

If the appliance is being transported or is out of use for long periods in unheated places, all remaining water must be completely removed from the hoses.

Ensure mains power is off, then unclip the hose and point it downwards into a basin until all the water has emptied out.

When finished, repeat the operation in the reverse order.



Investigating malfunctions

What might be the cause of... Defects you can remedy yourself

MALFUNCTION	CAUSE	REMEDY
1. Does not work on any programme	Plug not in socket. Not switched on. Power failure. Fuse blown. Door open.	Plug it in. Switch on. Check. Check. Close door.
2. Does not fill with water	See cause 1. Tap turned off. Fill hoses are kinked	Check. Turn on tap. Straighten fill hoses
3. Water does not drain away	Kink in discharge hose. Foreign bodies in filter House drain is blocked	Straighten discharge hose. Examine filter (see pages 24-25) Clean drain
4. Water on floor around the washing machine	Leaking gasket between tap and water inlet hose. House drain is blocked Soap drawer blocked with soap residues	Replace gasket and tighten hose and tap well. Clean drain Clean soap drawer
5. Does not spin	Water has not yet drained away. "No spin" selected (certain models only).	Wait a few minutes for machine to empty. Reset button or turn "no spin" knob.
6. Machine vibrates a lot during spin	Washing machine not completely level. Transit brackets not removed yet. Load not distributed evenly.	Adjust the special adjustable feet. Remove transit brackets. Rearrange the laundry evenly.
7. Door will not open	Two minutes have not elapsed since the programme finished.	Wait two minutes.
8. Display reads error 0, 1, 5, 7, 8	-	Call service.
9. Display reads error 2	No water fill.	Check water supplies are on.
10. Display reads error 3	No pump out.	Check drain is clear. Check drain hose is not kinked.
11. Display reads error 4	Machine overfilled with water.	Turn off water supply to machine. Call service.
12. Display reads error 9	-	Switch off the appliance. Wait 10-15 seconds and start again the programme.

The machine makes a different noise when spinning! This is because it has a brush motor for better performance.

Only a small level of water can be seen in the drum! This is because new machines do not use much water, yet achieve the same standard of washing and rinsing.

Note:

- The use of environmentally-friendly, phosphate-free detergents can have the following effects:
- waste water from rinsing may be cloudier because of the presence of zeolites held in suspension, without the rinse performance being adversely affected;
 - presence of white powder (zeolites) on laundry after washing, which is not absorbed by the fabric and does not alter the colour of the fabric.
 - The presence of foam in the final rinsing water is not necessarily an indication of poor rinsing.
 - Anionic surfactants used in washing detergent formulae often prove to be difficult to remove from the laundry itself and, even in small quantities, can still cause considerable foam production.
 - Carrying out more rinse cycles does not serve any purpose in such cases.

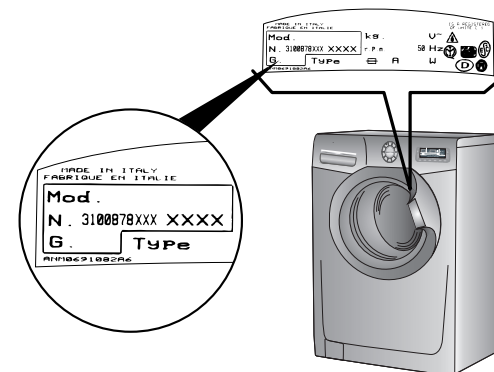


Fig. 2

Technical data

- Max. load of dry laundry
- Water pressure

9 kg
50 to 800 kPa

Measurements

- Width
- Depth
- Height

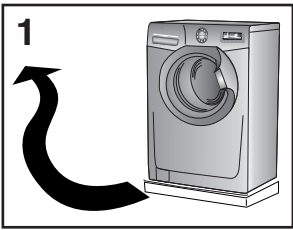
60 cm
64 cm
85 cm

NB: For specifications regarding electrical data, see the data panel on the front of the washing machine (porthole area) - as shown in diagram above.



Appliance complies with European Directives 73/23/EEC and 89/336/EEC, replaced by 2006/95/EC and 2004/108/EC, and subsequent amendments.

SETTING UP + INSTALLATION



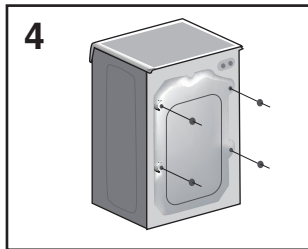
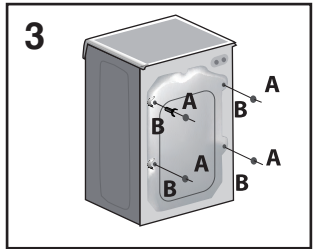
1 Remove the polystyrene base and place the machine near its permanent position (diagram 1).

Carefully cut through the hose retaining clip at the rear of the appliance (diagram 2).

Remove the 4 fixing screws marked (A) and remove the 4 spacers marked (B) (diagram 3).

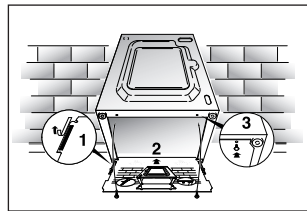


2 Cover the 4 holes using the caps provided in the instruction booklet pack (diagram 4).



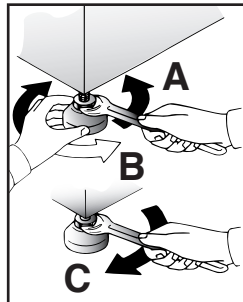
WARNING:
DO NOT LEAVE THE PACKAGING WITHIN REACH OF CHILDREN AS IT IS A POTENTIAL SOURCE OF DANGER.

Apply the insulation sheet of corrugated material to the base as shown.



Use the 4 feet to level the machine with the floor:

- Turn the nut clockwise to release the screw adjuster on the foot.
- Rotate the foot to raise or lower it until it stands firmly on the ground.
- Lock the foot in position by turning the nut anti-clockwise until it comes up against the bottom of the machine.



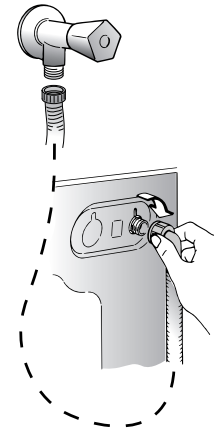
Note: we recommend you keep the screws to immobilise the machine for future transit.
**The Manufacturers will not be responsible for any possible damage to the machine caused by not following the rules relating to releasing the mechanism.
The user is responsible for all costs of installation.**

Water connection

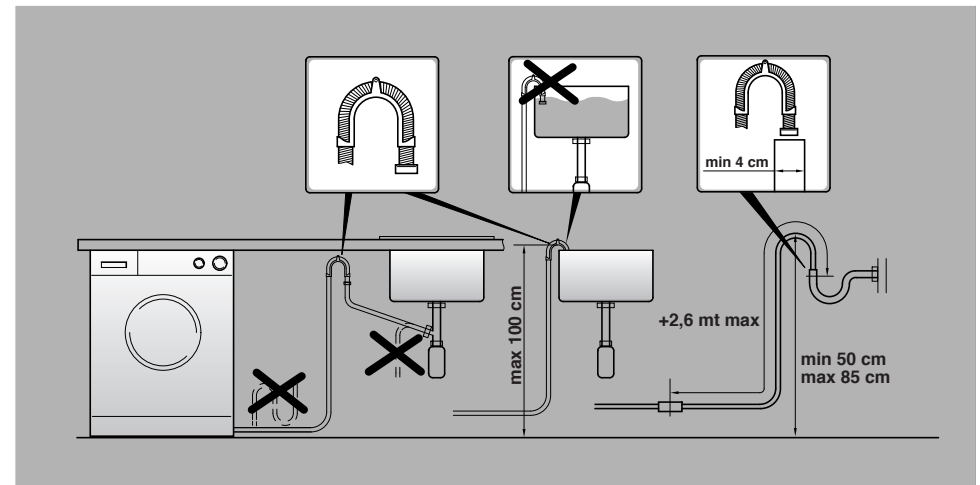
The appliance must be connected to the water mains using new hose-sets.

The old hose-sets should not be re-used.

The machine has an inlet hose with 3/4" B.S.P threaded end connection to attach between the threaded connector on the appliance and the cold water supply.



This machine only uses cold water, therefore only one hose is needed to connect to the cold water supply. Do not connect to the hot supply. Cold fill is an energy efficient system. Only the water required for the washing is heated. There is no loss of heat in the pipeline from a hot water tank or boiler to the machine.



HOOVER®

This appliance is marked according to the European directive 2002/96/EC on Waste Electrical and Electronic Equipment (WEEE).

By ensuring this product is disposed of correctly, you will help prevent potential negative consequences for the environment and human health, which could otherwise be caused by inappropriate waste handling of this product.

The symbol on the product indicates that this product may not be treated as household waste. Instead it shall be handed over to the applicable collection point for the recycling of electrical and electronic equipment. Disposal must be carried out in accordance with local environmental regulations for waste disposal.

For more detailed information about treatment, recovery and recycling of this product, please contact your local city office, your household waste disposal service or the shop where you purchased the product.



EN

09.05 - australia - www.graficaestampa.it - Printed in Italy - Imprimé en Italie

The manufacturer declines all responsibility in the event of any printing mistakes in this booklet. The manufacturer also reserves the right to make appropriate modifications to its products without changing the essential characteristics.

