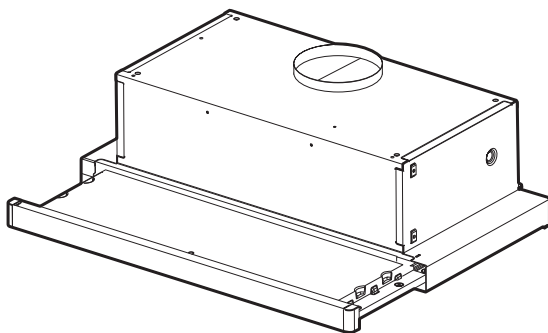


 **Electrolux**

***EFP 6500***

***EFP 9500***



**Instructions Manual**

# Instructions Manual

## INDEX

---

RECOMMENDATIONS AND SUGGESTIONS .....	3
CHARACTERISTICS .....	4
INSTALLATION .....	5
USE .....	7
MAINTENANCE .....	8

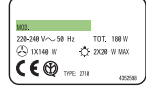
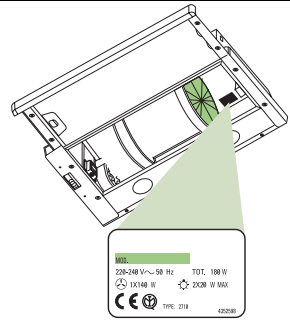
# RECOMMENDATIONS AND SUGGESTIONS

## INSTALLATION

- The manufacturer will not be held liable for any damages resulting from incorrect or improper installation.
- The minimum safety distance between the cooker top and the extractor hood is 650 mm.
- Check that the mains voltage corresponds to that indicated on the rating plate fixed to the inside of the hood.
- For Class I appliances, check that the domestic power supply guarantees adequate earthing.

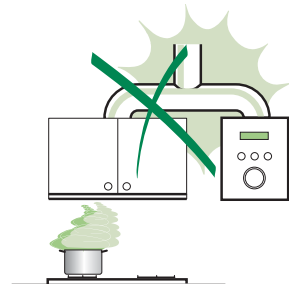
Connect the extractor to the exhaust flue through a pipe of minimum diameter 120 mm. The route of the flue must be as short as possible.

- Do not connect the extractor hood to exhaust ducts carrying combustion fumes (boilers, fireplaces, etc.).
- If the extractor is used in conjunction with non-electrical appliances (e.g. gas burning appliances), a sufficient degree of aeration must be guaranteed in the room in order to prevent the backflow of exhaust gas. The kitchen must have an opening communicating directly with the open air in order to guarantee the entry of clean air.



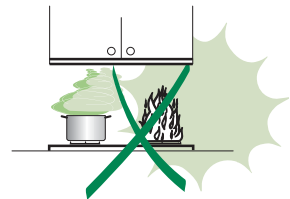
## USE

- The extractor hood has been designed exclusively for domestic use to eliminate kitchen smells.
- Never use the hood for purposes other than for which it has been designed.
- Never leave high naked flames under the hood when it is in operation.
- Adjust the flame intensity to direct it onto the bottom of the pan only, making sure that it does not engulf the sides.
- Deep fat fryers must be continuously monitored during use: overheated oil can burst into flames.
- The hood should not be used by children or persons not instructed in its correct use.

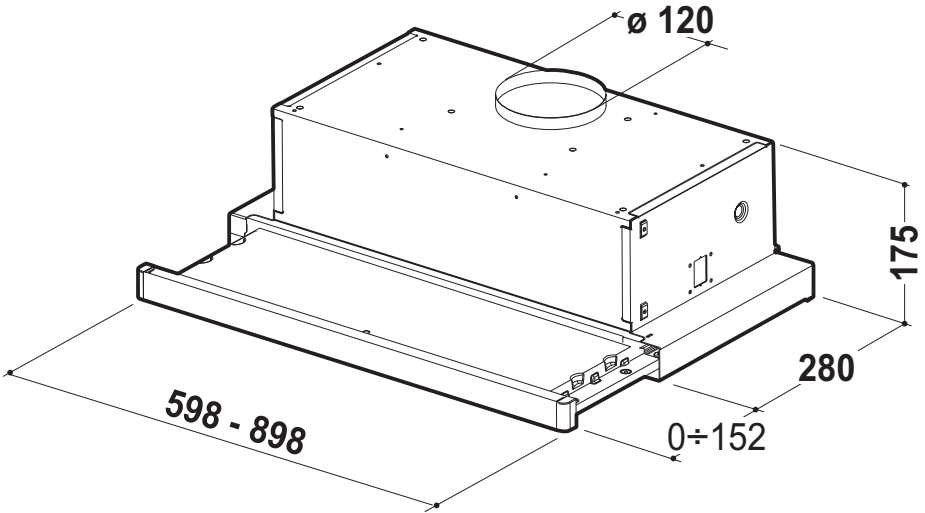


## MAINTENANCE

- Switch off or unplug the appliance from the mains supply before carrying out any maintenance work.
- Clean and/or replace the Filters after the specified time period.
- Clean the hood using a damp cloth and a neutral liquid detergent.



# CHARACTERISTICS



## Components

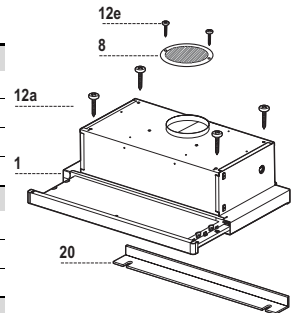
Ref.	Q.ty	Product Components
1	1	Hood Body, complete with: Controls, Light, Blower, Filters
8	1	Directional Air Outlet grille
20	1	Closing element

Ref.	Q.ty	Installation Components
12a	4	Screws 4,2 x 44,4
12e	2	Screws 2,9 x 9,5

Q.ty	Documentation
1	Instruction Manual

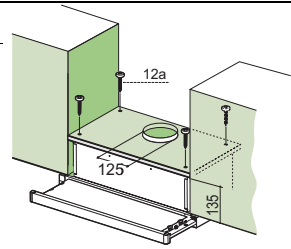


# INSTALLATION

## Drilling the Support surface and Fitting the Hood

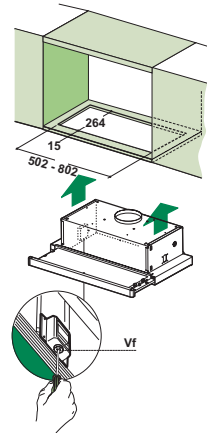
### SCREW FITTING

- The hood support surface must be 135 mm above the bottom surface of the wall units.
- Drill the support with a  $\varnothing 4,5$  mm drill bit, using the drilling template provided.
- Cut a hole  $\varnothing 125$  mm in size on the support surface, using the drilling template provided.
- Fix using the 4 screws **12a** (4,2 x 44,4) provided.



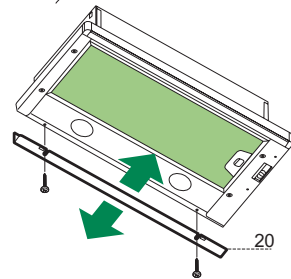
### SNAP-ON FITTING

- The hood can be installed either directly on the bottom surface of the wall units (min. 650 mm above the hob) using snap-on side supports.
- Cut a fitted opening in the bottom surface of the wall unit, as shown.
- Insert the hood until the side supports snap into place.
- Lock in position by tightening the screws **Vf** from underneath the hood.



### CLOSING ELEMENT

- The space between the edge of the hood and the rear wall can be closed by applying the element **20** provided, using the screws supplied for this purpose.

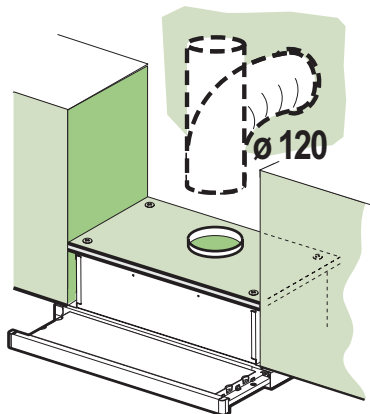


## Connections

### DUCTED VERSION AIR EXHAUST SYSTEM

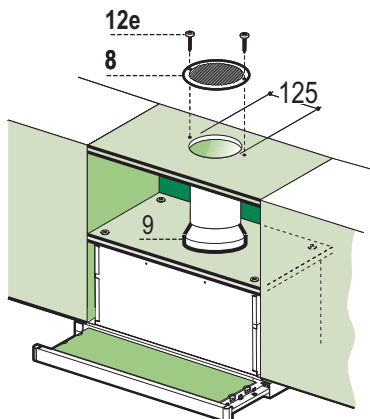
When installing the ducted version, connect the hood to the chimney using either a flexible or rigid pipe  $\varnothing 120$  mm, the choice of which is left to the installer.

- Fix the pipe in position using sufficient pipe clamps (not supplied).
- Remove any activated charcoal filters.



### RECIRCULATION VERSION AIR OUTLET

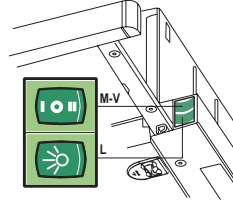
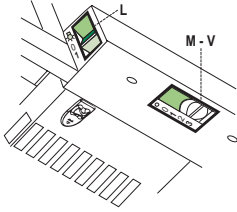
- Cut a hole  $\varnothing 125$  mm in any shelf that may be positioned over the hood.
- Connect the flange to the outlet on the shelf over the hood using a flexible or rigid pipe  $\varnothing 120$  mm.
- Fix the pipe in position using sufficient pipe clamps (not supplied).
- Fix the directional grille **8** on the recirculation air outlet using the 2 screws **12e** (2,9 x 9,5) provided.
- Ensure that the activated charcoal filters have been inserted.



### ELECTRICAL CONNECTION

- Connect the hood to the mains through a two-pole switch having a contact gap of at least 3 mm.
- When opening the sliding carriage for the first time after installing the hood, pull it out briskly until it clicks.

## Control panel



<b>L</b>	Light	Switches the lighting system on and off.	<b>L</b>	Light	Switches the lighting system on and off.
<b>M</b>	Motor	Switches the extractor motor on and off.	<b>M</b>	Motor	Switches the extractor motor on and off.
<b>V</b>	Speed	Sets the operating speed of the extractor:	<b>V</b>	Speed	Sets the operating speed of the extractor:
		<ol style="list-style-type: none"> <li>1. Low speed, used for a continuous and silent air change in the presence of light cooking vapour.</li> <li>2. Medium speed, suitable for most operating conditions given the optimum treated air flow/noise level ratio.</li> <li>3. Maximum speed, used for eliminating the highest cooking vapour emission, including long periods.</li> </ol>			<ol style="list-style-type: none"> <li>1. Low speed, used for a continuous and silent air change in the presence of light cooking vapour.</li> <li>2. Medium speed, suitable for most operating conditions given the optimum treated air flow/noise level ratio.</li> </ol>

# MAINTENANCE

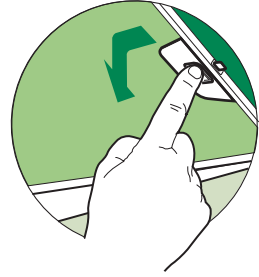
---

## Grease filters

---

### CLEANING METAL CASSETTE GREASE FILTERS

- The filters must be cleaned every 2 months, or more frequently in case of particularly heavy use of the hood. Filters can be washed in a dishwasher.
- Pull out the sliding suction panel.
- Remove the filters one by one, after having disconnected the relative fastening elements.
- Wash the filters, taking care not to bend them. Let them get dry before refitting them. (The colour of the filter surface may change throughout the time but this has no influence to the filter efficiency).
- When refitting the filters, make sure that the handle is visible on the outside.
- Close the sliding suction panel.

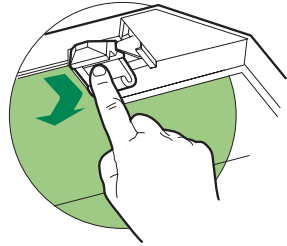


### Charcoal filter (Recycling version)

---

#### REPLACING CHARCOAL FILTERS

- These filters are not washable and cannot be regenerated, and must be replaced approximately every four months or more frequently by particularly heavy use.
- Pull out the sliding suction panel.
- Remove the grease filters.
- Remove the saturated carbon filter by releasing the fixing hooks
- Replace the grease filters.
- Close the sliding suction panel.



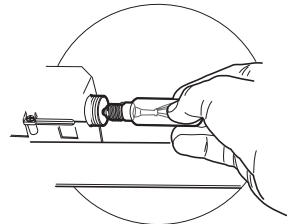
## Lighting

---

### LIGHT REPLACEMENT

#### 40 W incandescent light.

- Remove the metal grease filters.
- Unscrew the bulbs and replace them with new ones having the same characteristics.
- Replace the metal grease filters.













Dir. 89/336/CEE  
73/23/CEE  
93/68/CEE