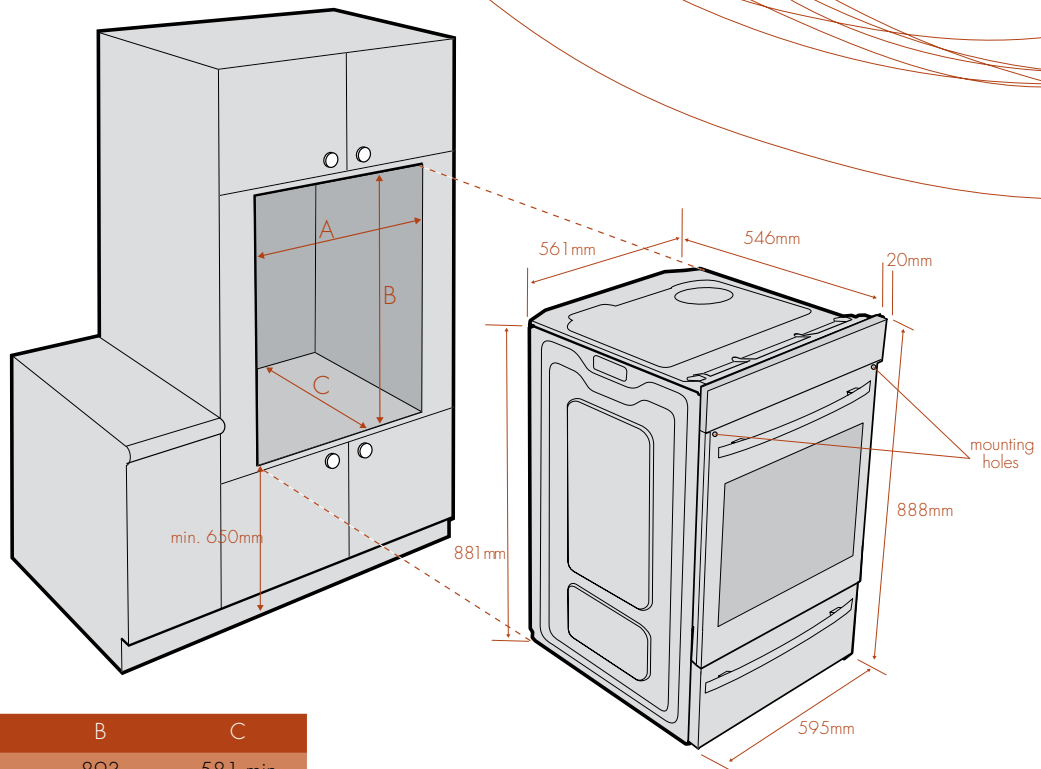


installation guide

electric wall ovens with separate grill

models: EXC614 (S/W), EXC624 (S/W)

oven dimensions



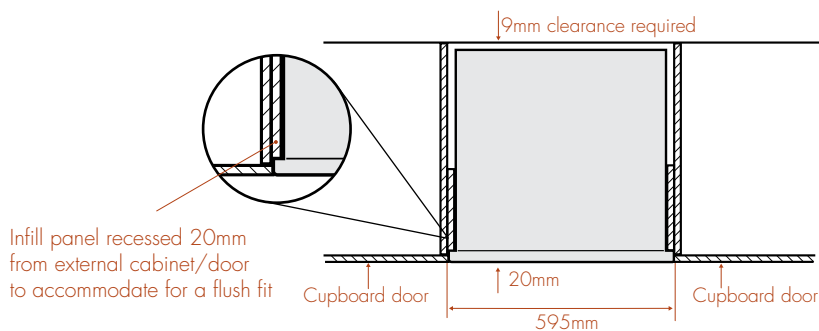
	A	B	C
Flush fit	600	893	581 min
Proud fit	565	885	560 min

C = from face of cabinet/door to rear of enclosure.

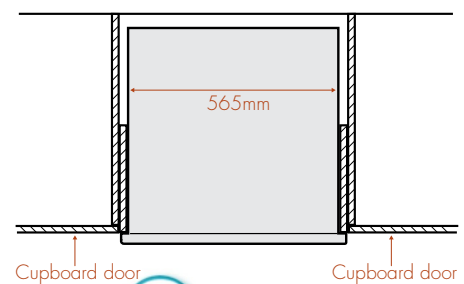
Cabinet construction for your appliance

For the best integration within a kitchen, install this appliance in a standard 600mm wide cupboard that gives a flush fit with the surrounding cupboard fronts. A recess of 20mm is ideal. It can also be installed using a proud fit with the surrounding cupboard.

Flush fit (top view)



Proud fit (top view)

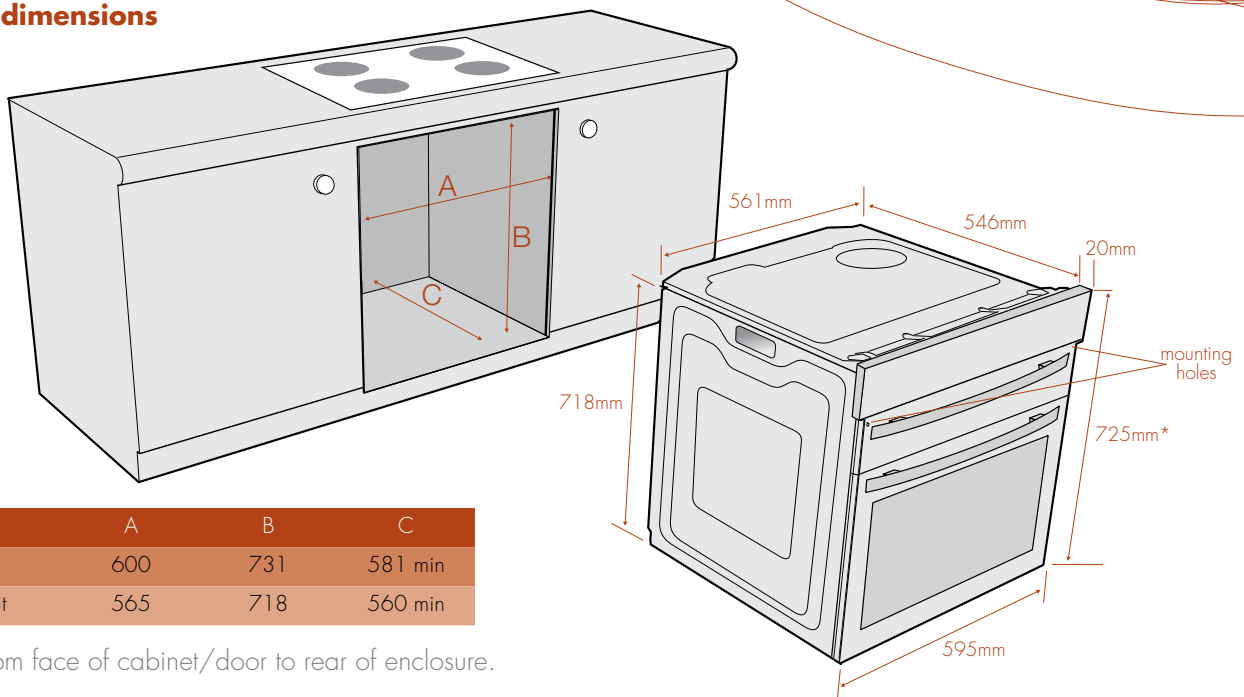


installation guide

electric underbench ovens with separate grill

models: EGC624 (S/W), EGC634 (S/W)

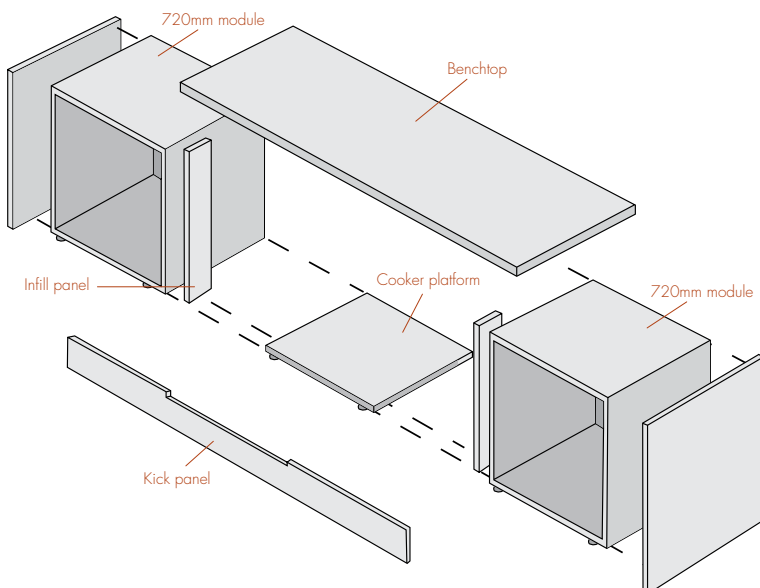
oven dimensions



	A	B	C
Flush fit	600	731	581 min
Proud fit	565	718	560 min

C = from face of cabinet/door to rear of enclosure.

Cabinet construction for your appliance



*Visible front surface from bottom of door to top of control panel = 720mm (to match standard cabinet door height).

Separate grill underbench oven installation requires kitchen kick panel to be rebated (see diagram on the left).

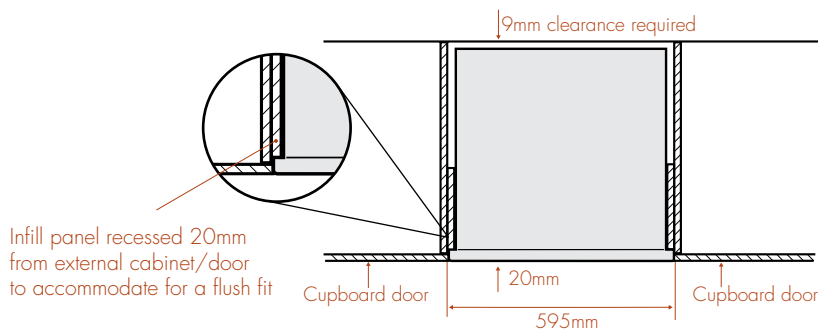
installation guide

electric underbench ovens with separate grill

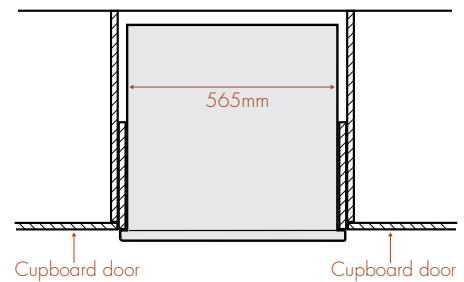
models: EGC624 (S/W), EGC634 (S/W)

For the best integration within a kitchen, install this appliance in a standard 600mm wide cupboard that gives a flush fit with the surrounding cupboard fronts. A recess of 20mm is ideal. It can also be installed using a proud fit with the surrounding cupboard.

Flush fit (top view)



Proud fit (top view)

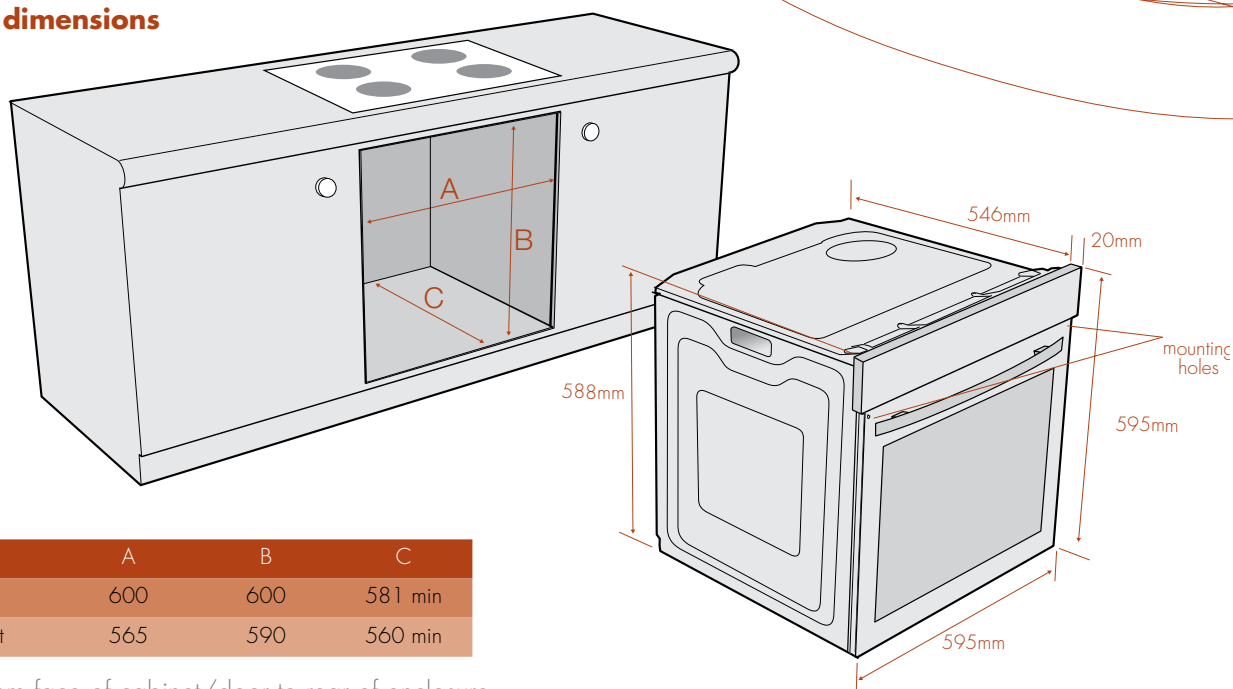


installation guide

chef electric underbench ovens

models: EOC614 (S/W), EOC624 (S/W), EOC644 (S/W)

oven dimensions



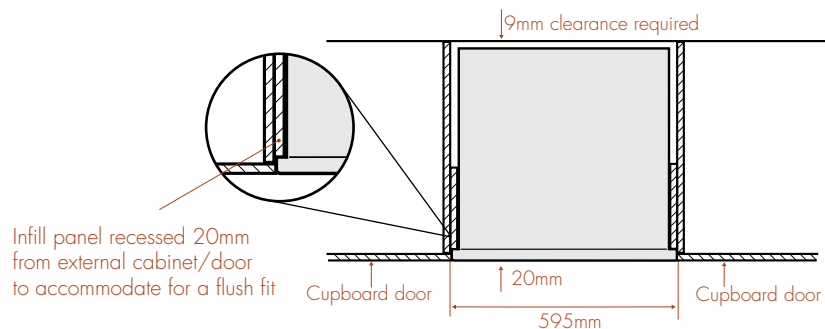
	A	B	C
Flush fit	600	600	581 min
Proud fit	565	590	560 min

C = from face of cabinet/door to rear of enclosure.

Cabinet construction for your appliance

For the best integration within a kitchen, install this appliance in a standard 600mm wide cupboard that gives a flush fit with the surrounding cupboard fronts. A recess of 20mm is ideal. It can also be installed using a proud fit with the surrounding cupboard.

Flush fit (top view)



Proud fit (top view)

