

# Fisher & Paykel Refrigerator Installation Instructions

## Installing your new refrigerator into your home

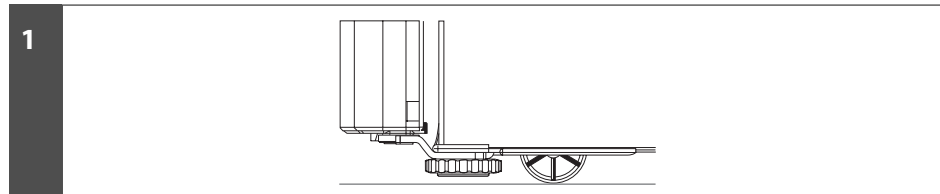
### IMPORTANT!

Correct installation of this refrigerator in your home is critical to its performance.

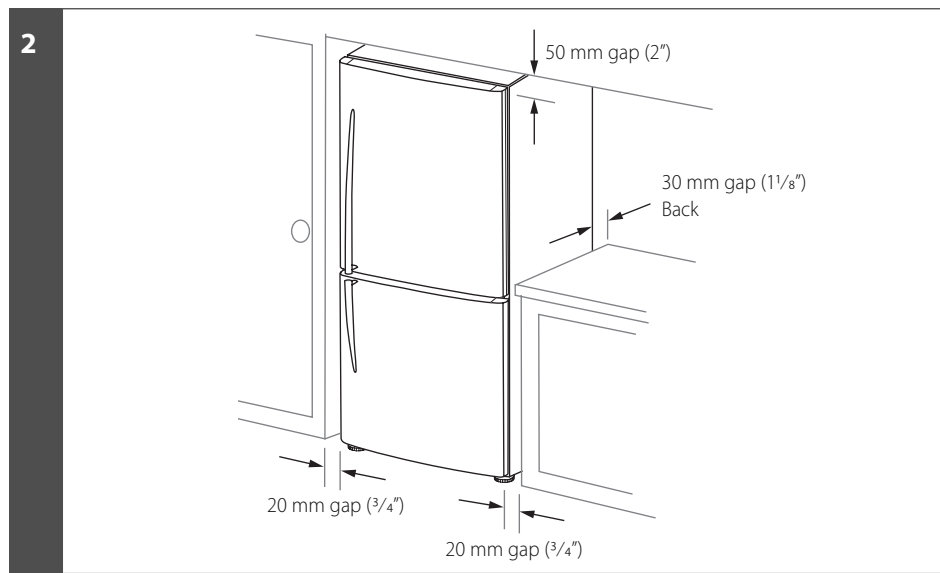
Your Fisher & Paykel *Active Smart*® refrigerator is fitted with front and rear rollers, designed for moving the product in the forwards and backwards direction.

**Avoid** moving the product in a sideways direction as this may damage the rollers or the floor covering/surface.

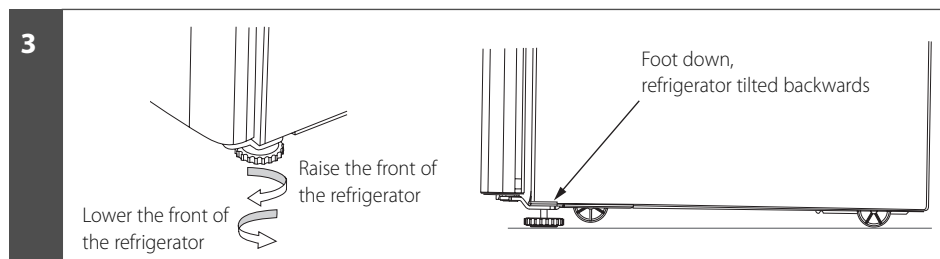
**1 Your refrigerator will arrive with the front feet wound up** making moving the product into its final location a simple task.



**2 Roll the refrigerator into its final position** making sure there is the correct air gap between the product and surrounding cabinetry.



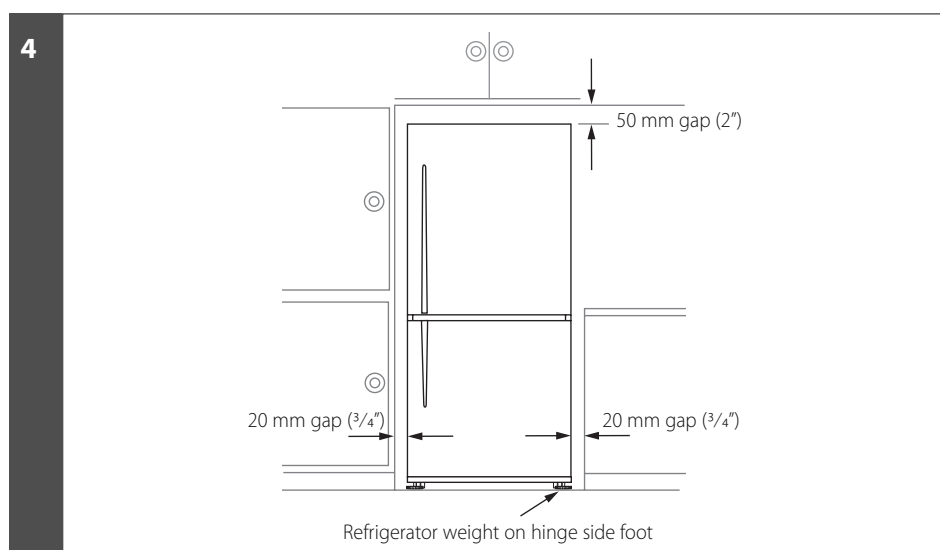
**3 Adjust the front feet down** until the refrigerator is leaning backward approx 10 mm. This will ensure a good door closing action.



**4 Aligning your refrigerator with cabinetry.**

- Align the sides of the refrigerator with the cabinetry by adjusting the hinge side front foot.
- Adjust the handle side foot until it touches the floor and takes a small amount of weight.
- Once the refrigerator is in place and aligned with cupboards/alcove push gently on the front top and check if the product is rocking or stable.

**If the product is rocking there may be an uneven floor or slightly out of square construction of cabinetry. (See "What to do if your new refrigerator is unstable when installed.")**



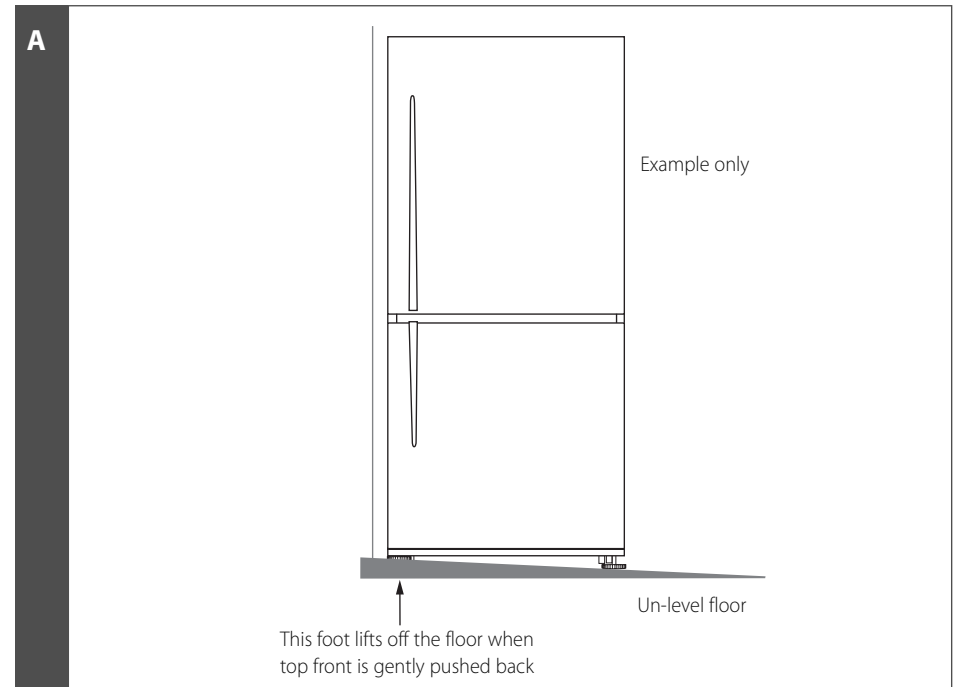
## What to do if your new refrigerator is unstable when installed

**A** Gently push the refrigerator back until the rear rollers contact floor.

- Measure the gap under the front foot, which has come off the floor.
- Obtain some solid packing material (hardwood, plastic etc) which fits firmly into the gap under the foot.

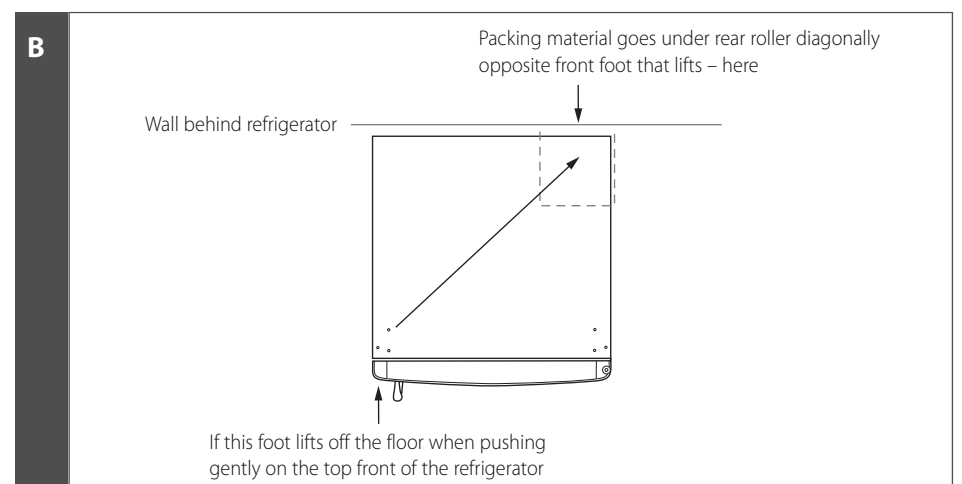
**Note:**

Do not use metallic materials that may corrode and stain or damage floor coverings.



**B** Wind both front feet up and roll the product out of position.

- Place the packing material in the location diagonally opposite the front roller that lifts off the floor.
- Make sure the packing material stays in place when the product is pushed back into position.
- Ideally, the packing material is large enough to rest against the back wall so as to prevent it moving when the cabinet is pushed into position.



**C** Roll the refrigerator back into position and adjust front feet as per step 4. ( Check alignment and door closing action are satisfactory).

- Make small adjustments to front feet where necessary.
- Check that the product is stable (all 4 feet are on the floor). If not return to step A and re-do steps B and C.

If you need assistance with the installation of your refrigerator please call your Fisher & Paykel Customer Care Centre. A Customer Care operator will provide expert guidance and if necessary can organise a Service Technician visit ensuring the correct installation is achieved. (A service fee will be charged).

**Australia** Ph: 1 300 650 590  
**New Zealand** Ph: 0800 37 2273  
**Canada and USA** Ph: 1 888 936 7872  
**Singapore** Ph: +65 6741 0777  
**UK** Ph: +44 0845 066 2200



Incorrect installation may result in the product twisting which will give the appearance of doors and handles being out of alignment.

Please ensure that your refrigerator has been correctly installed as per the above instructions, as product issues brought about by poor installation are not covered under product warranty. Refer product warranty guidelines covered in the User Guide.  
 appliancesonline.com.au  
 Australia's largest online appliance retailer