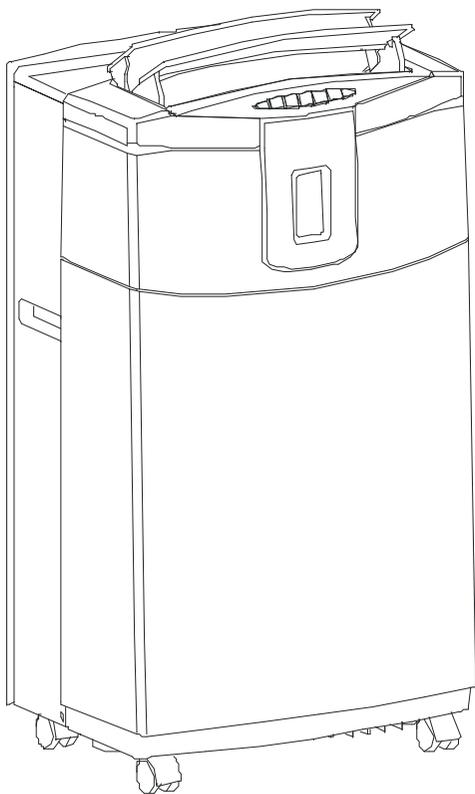




**MODEL: GDC9RWA / GDC12RBA / GDC12RWA
GDC12RCWA / GDC12RCBA / GDC14RBA
GDC14RWA / GDC14RCWA / GDC14RCBA**

INSTRUCTIONS FOR USE



PORTABLE AIR CONDITIONER

VERY IMPORTANT !

Do not install or use your portable air conditioner unit before carefully reading this instruction manual.

Please retain this manual for product warranty and future reference

CAUTION !

- 1." DO NOT BLOCK VENTILATION "! Please make sure the inlet and outlet ventilation is not blocked at all times.
2. Operate this unit on a horizontal surface to avoid water leakage.
3. Do not operate this unit in an explosive or corrosive atmosphere.
4. Operate this unit in an ambient temperature of 17~43 degrees Celsius when switched to cooling and when switched to heating, the ambient operating temperature should be 5~23 degrees Celsius.
5. Clean the air filter periodically to enjoy the most efficient cooling.
6. When the unit is turned off, please wait at least 3 minutes before restarting it.
This is to prevent the compressor from being damaged.
7. This unit needs to be plugged into a 10 Amp power point.
Please do not use any extension cords with this unit.
8. This unit is for indoor operation only.
9. Make sure the adjustable air vent is open, and also the exhaust pipe and drain pipe if fitted are extended to the closest window before using.
10. When the supply cord is damaged, it must be replaced by the manufacturer, its service agent or similarly qualified persons in order to avoid hazard.
11. The batteries, from the remote control, must be removed from the appliance before it is scrapped and must be disposed of safely.
12. This appliance is not intended for use by persons (including children) with reduced physical, sensory or mental capabilities, or lack experience and knowledge, unless they have been given supervision or instruction concerning use of the appliance by a person responsible for their safety.
13. Children should be supervised to ensure that they do not play with the appliance.

Important.

The air conditioning unit must always be stored and transported upright.

In case of doubt we suggest to wait for at least 24 hours before you start the air-conditioning unit.

CONTENTS

1 / Air control unit

2 / 1-remote control unit

3/ Window kit

CONGRATULATIONS ON YOUR SELECTION OF A QUALITY PORTABLE AIR CONDITIONER

PORTABLE AIR CONDITIONER

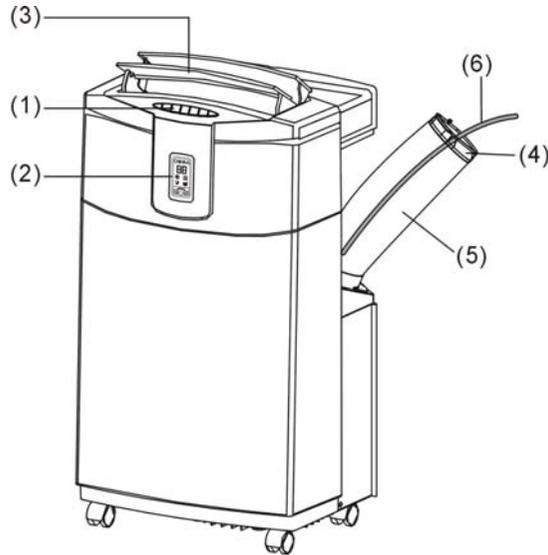
Your Air Conditioner has been designed and manufactured to the highest standards of modern engineering.

One of its many features is a remote control device which allows you to control all functions conveniently.

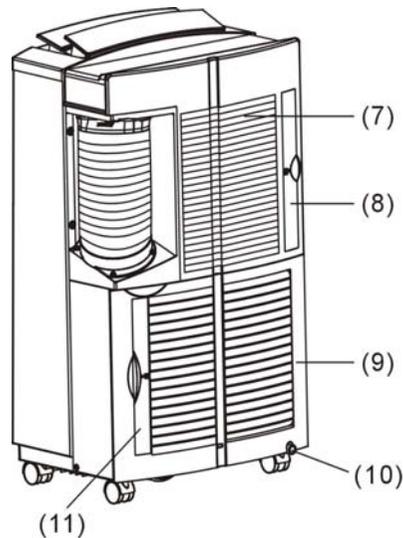
- **Moves easily from room to room on easy glide castors**
- **No installation required-just plug into any household 10 Amp power outlet**
- **Refrigerated air system designed to cool instantly whenever you want it**
- **Heated air system design heats instantly whenever you want it**
- **Powerful dehumidification process and filtered air cycle for improved breathing conditions**
- **If the remote control function is not required, your one touch electronic pad provides easy to identify manual operation**
- **24 hour programmable timer that can be used with either the air conditioning or dehumidification setting**
- **Unique sleep control function**
- **220-240 Volt 50Hz operation**
- **1.6 meter cord with plug**

NAMES OF THE PARTS

1. Push button switch
2. Display screen
3. Adjustable air vent
4. Window kit adaptor
5. Exhaust tube
6. Drain hose (cooling & heating model only)

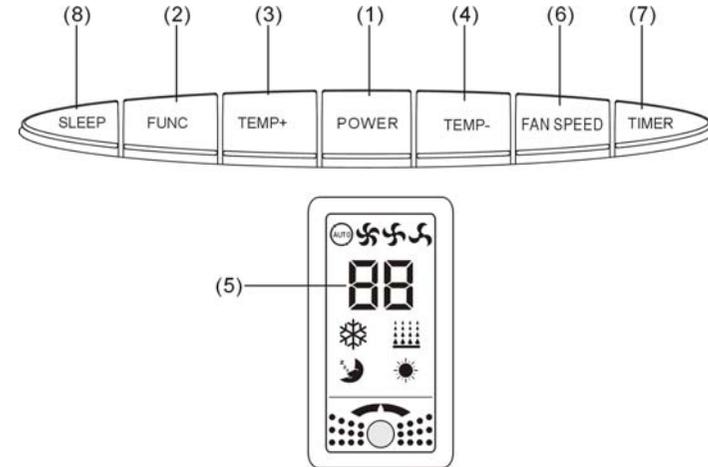


7. Cool inlet
8. Cool air filter
9. Hot inlet
10. Drain plug
11. Hot air filter



Note: make sure drain plug is fitted before use. (10)

PUSH BUTTON SWITCHES & DESCRIPTION OF FUNCTION



- 1. POWER KEY** Press to turn unit "ON" or "OFF".
 - 2. FUNCTION** Press this key to select refrigeration, heat or dehumidification.
(Heating function is only available in the following models: GDC12RCWA / GDC12RCBA / GDC14RCWA / GDC14RCBA)
 - 3. TEMPERATURE REGULATION KEY (UP)**
This key raises the preset temperature by 1°C each time it is pressed to a maximum of 30°C
 - 4. TEMPERATURE REGULATION KEY (DOWN)**
This key lowers the preset temperature by 1°C each time it is pressed to a minimum of 17°C.
- ※ In normal conditions, the temperature data which appears on the panel is the ambient temperature, not the temperature which is set by the user. When the user has adjusted and set the temperature to desired level, the data on the panel will return to the ambient temperature 5 seconds later.
- The ambient temperature will descend or change according to the temperature which is set by the user, but the temperature descendant time and speed will depend on the environment and space where it operates.
- For example, if the ambient temperature is too hot or the room is too large, the rate at which the temperature descends will be slow, and the cooling efficiency will be poor as well.

5. L.E.D. DISPLAY Indicates the current room temperature or the time setting. If it's adjusted by the user the display will return to the pre-set temperature automatically.

Error Display

E1: Indicates open circuit or short circuit in room temperature sensor.

E2: Indicates open circuit or short circuit in pipe temperature sensor.

E7: Indicates the water is full inside.

Please contact an authorized service centre if any of the above error messages are shown.

6. SPEED Press to select LOW, MEDIUM, HIGH or AUTO fan speed.
If "AUTO" is selected, the unit operates at maximum cooling capacity when the room temperature less the setting temperature is above 2°C.
When the room temperature less the set temperature is below 2°C, the unit operates at middle cooling capacity.
When the room temperature equal the set temperature, the unit operates at minimum capacity.
If "HIGH" is selected, the unit operates at maximum cooling capacity regardless of the pre-set temperature. Similar operation is applied when "MEDIUM" OR "LOW" is manually selected.

7. PROGRAMMABLE Programmable timer ON/OFF key.

TIMER

TIMER-ON: The timer-on key is used to turn the unit on automatically when the set time is reached.

(The indicator light will be turned on when the timer is functioning.)

1. Press the "TIMER" key at stand-by status to set the time.
Choose the function desired (refrigeration, heat or dehumidification.)
2. Once the set hour has come to an end, the unit will turn on automatically.
3. If you press the "POWER" key before the timer is complete, the set time will be cancelled and the unit will remain turned on.

TIMER-OFF: The timer-off is used to turn the unit off automati-

cally after the set time is over.

**8. SLEEP CONTROL
FUNCTION**

When setting the "sleep comfort" mode please ensure that you then set the number of hours required and press the timer button till those hours are indicated on the L.E.D display. After setting the hours the L.E.D. display will automatically return to the current pre-set temperature. To increase this setting press the "UP" button and for each press, the temperature will be increased by 1°C. Likewise to set for a lower temperature, press the "DOWN" button and for each press, the temperature will be decreased by 1°C.

During the course of this cycle, to ensure maximum sleep comfort, the micro-processor memory will raise the pre-set temperature 0.5°C each half hour to a maximum of 2°C over two hours and then maintain that temperature for the balance of the time set.

The portable air conditioner is fitted with a 3 minute compressor delay protection circuit which simply means that the compressor requires 3 minutes to start. From either being switched on, or when changing from "dehumidify" to any air conditioning cycle chosen.

9."E7"

When the unit warns of full water, please unplug the water stopper at the back of the unit and then lean the unit to drain the water out. Then the unit can be restarted. If the error: E7 is presented again, please find a specialized person to repair.

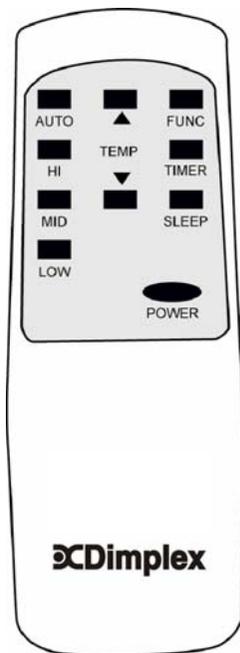
Note: Heating function does not operate if the ambient temperature is over 23°C.

Cooling function does not operate if the ambient temperature is over 43°C.

(Heating function is only available in the following models: GDC12RCWA / GDC12RCBA /

GDC14RCWA / GDC14RCBA)

REMOTE CONTROL FUNCTION

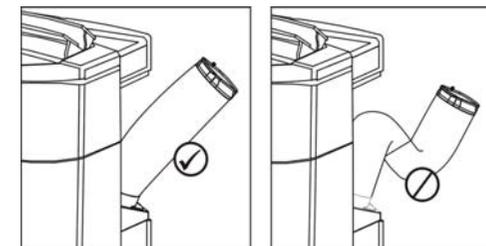
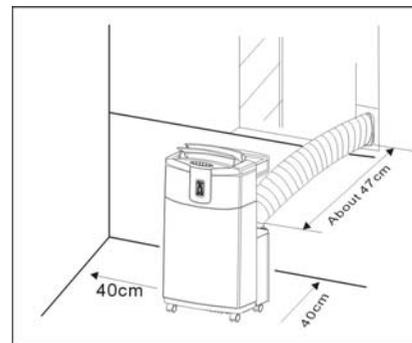


1. **POWER**
2. **FUNC**
3. **TIMER**
4. **AUTO**
5. **HI**
6. **MID**
7. **LOW**
8. **SLEEP**
9. **TEMP.**

ON/OFF switch
Function "MODE" selector
Hourly programming
Automatic fan speed
High fan speed
Medium fan speed
Low fan speed
Night operation selector
Temperature selector

INSTALLATION

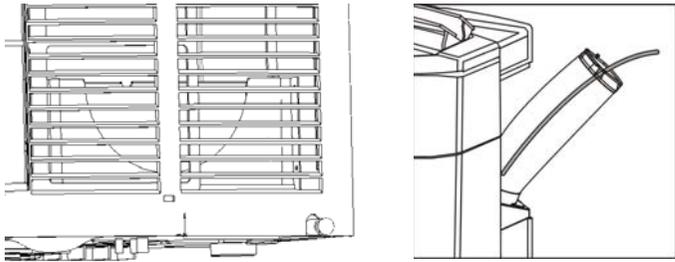
Install the portable air conditioner in a flat and spacious location where the air inlets and outlets will not be blocked. A minimum clearance of 40cm from a wall or other obstacles should be kept (as pictured below). The appliance should not be used in the laundry.



NOTICE

For Reverse cycle Cooling / Heating models only. (GDC12RCWA / GDC12RCBA / GDC14RCWA / GDC14RCBA)

This unit can evaporate the condensation and flow out through the exhaust hose automatically when the unit is in the cooling function. Contrarily when the unit is in heating function and the water level reaches the detected level, it will begin to pump for sixty seconds. After sixty seconds in the pump function, if the water level is still on the detected level, the unit will stop working and present "E7" warning. Then after three seconds of revealing error, the unit will rework automatically. Please make sure the drain plug is fitted to the drain outlet before use (10), and the exhaust and drain pipe is extended to the closest window when the unit is running.



MAINTENANCE

PLEASE DISCONNECT THE POWER CORD BEFORE.

AIR FILTER

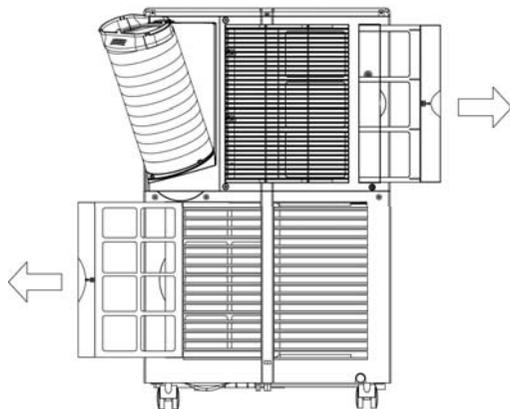
The air filter located on both sides of the unit can be removed, simply by pulling the frame in an upward motion.

CONDENSER/EVAPORATOR

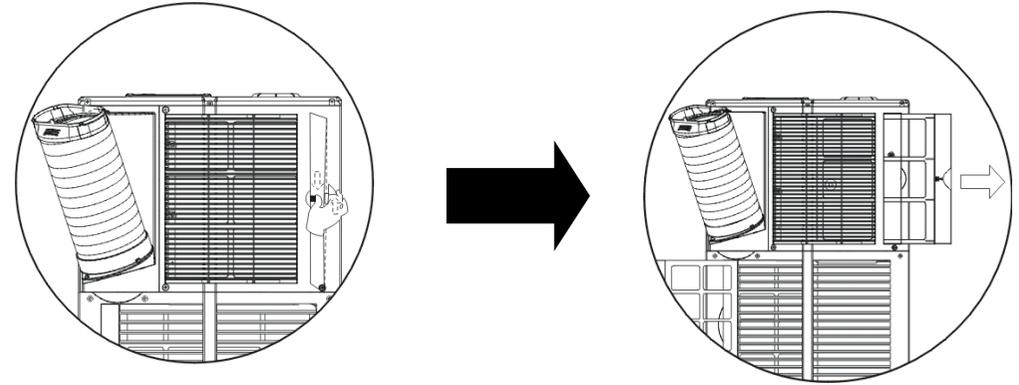
Use a brush attachment with a vacuum cleaner.

CABINET

Wipe with a damp cloth and polish with a soft cloth.



To remove the air filter, please follow the arrow direction and push the filter lightly. Then take out the filter for cleaning.



POWER SUPPLY

- (1) Confirm the correct power.
- (2) Insert the plug into the power outlet firmly.
In case of a dangerous water leak, prevent the power cord from getting wet.
- (3) Don't pull the power cord by force because it will cause damage to the power cables.

PLACE FOR USE

- (1) Because the machine exerts hot air, please don't operate it in a confined place.
- (2) Don't place the machine in a sunlit corner otherwise the colours of the cabinet will fade.



HELPFUL HINTS

This unit is fitted with a special thermal cut off device.

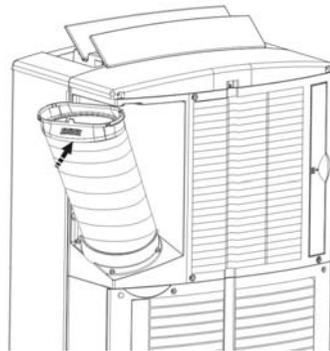
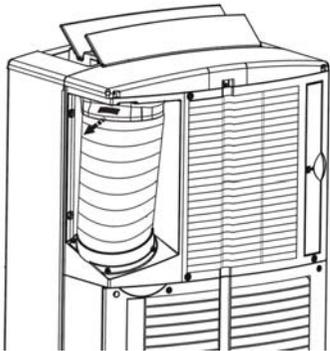
When selecting the refrigerating function, the unit should operate in room temperatures between 17-43°C, and when selecting the heating function the room temperature must be between 5-23°C.

Please ensure the unit is not placed against objects which will obstruct air intake e.g. furniture or curtains as this will affect it's performance drastically.

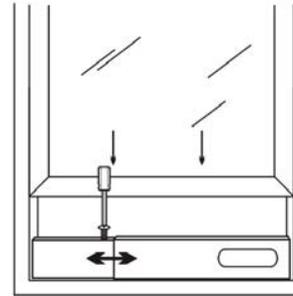
Do not place the unit in direct sunlight, as this may cause the unit to overheat and turn off.

EXHAUST PIPE AND DRAIN PIPE

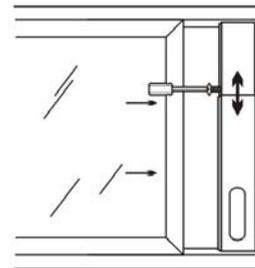
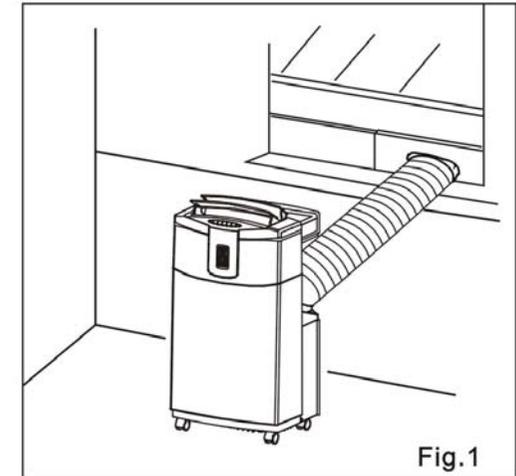
- To remove exhaust pipe, press down slightly and pull away from the unit.
- Picture indicates the removal of the exhaust pipe.
- Make sure the exhaust pipe and the drain pipe are extended to the closest window.



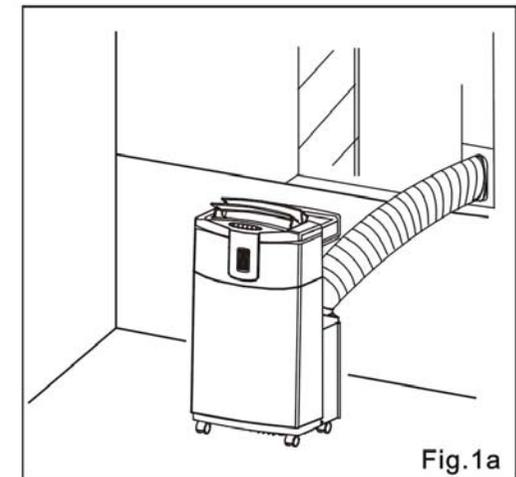
Install the Flexible Exhaust Hose and the Adjustable Window Slider Kit as depicted in Fig.1 & Fig.1a.



Window slider kit
min: 66cm
max: 120cm



Window slider kit
min: 66cm
max: 120cm



TROUBLE SHOOTING

Never try to repair or dismantle the air conditioner yourself. Unauthorized repairs may result in the loss of warranty and can endanger the user and the property.		
Problem	Cause	Solution
The air conditioner does not function.	No power supply.	Connect to a functioning outlet and switch on.
	The alarm light is on.	Empty the internal water container.
	Timer function is active.	Deactivate TIMER function.
The air conditioner does not seem to perform.	In direct sunlight.	Close curtains.
	Windows or doors open, many people or a heat source in the room.	Close doors and windows, place an extra air conditioner.
	Dirty filter	Clean the filter(s).
	Air inlet or air outlet blocked.	Remove the blockage.
	Room temperature lower than the selected value.	Change temperature selection.
The unit is noisy.	Unit is not level.	Place on an even, solid surface (less vibrations.)
The compressor does not work.	The overheat protection is probably activated.	Wait 30 minutes until the temperature has decreased, then turn the unit on again.
The remote control does not function.	Distance too long.	Make sure the remote control is correctly aimed at the control panel.
	Remote control signal not detected by the control panel.	
	The batteries are drained	Replace the batteries.
To correct problems not mentioned in the table and/or if the recommended solutions fail to solve the problem, please contact an authorized service centre.		

Please contact Glen Dimplex for your nearest authorized service agent:

Australia – 1300 556 816 New Zealand – (09) 274 8265

SPECIFICATIONS

Model No.	GDC9RWA	GDC12RWA / GDC12RBA
Power Source	220-240V~ 50Hz AC	220-240V~ 50Hz AC
Power Consumption (EN14511)	1080W	1452W
Rated Power (EN60335)	1250W	1480W
Cooling Capacity	2600W	3500W
Air Flow	400 M ³ /H	420 M ³ /H
Moisture Removed	32 L/DAY	50 L/DAY
Refrigerant	R410A	R410A
Min. room size	10m ²	10m ²
Dimensions (mm)	476W x 358D x 840H	476W x 358D x 840H
Net Weight	28.5KG	29.5KG
Model No.	GDC12RCWA / GDC12RCBA	GDC14RWA / GDC14RBA
Power Source	220-240V~ 50Hz AC	220-240V~ 50Hz AC
Power Consumption		
Cooling / Heating (EN14511)	1452W / 1452W	1660W
Rated Power (EN60335)	1480W	1700W
Cooling Capacity	3500W	4000W
Heating Capacity	3500W	N/A
Air Flow	420 M ³ /H	450 M ³ /H
Moisture Removed	50 L/DAY	60 L/DAY
Refrigerant	R410A	R410A
Min. room size	10m ²	10m ²
Dimensions (mm)	476W x 358D x 840H	476W x 358D x 840H
Net Weight	30.5KG	31.5KG

Model No.	GDC14RCWA / GDC14RCBA
Power Source	220-240V~ 50Hz AC
Power Consumption (EN14511)	1660W/1660W
Rated Power (EN60335)	1700W
Cooling Capacity	4000W
Heating Capacity	4000W
Air Flow	450 M ³ /H
Moisture Removed	60 L/DAY
Refrigerant	R410A
Min. room size	10m ²
Dimensions (mm)	476W x 358D x 840H
Net Weight	32.5KG

If you have any issues with your unit, please contact Glen Dimplex for your nearest service agent. Proof of purchase is required at the time of service.

Glen Dimplex Australasia Ltd

38 Harris Road, East Tamaki,
Manukau, Auckland 2013
New Zealand
Ph: (09) 274 8265
Fx: 0800 112 020

Glen Dimplex Australia Pty Ltd

2/205 Abbots Road,
Dandenong South VIC 3175
Australia
Ph: 1300 556 816
Fx: 1800 058 900