



GLEM MODENA OVEN SERIES

60cm BUILT IN FAN ASSISTED GAS OVEN



Model: GMF61MVI

SPECIFICATIONS:

- Fan assisted built in gas oven
- Large 69 litre oven capacity
- Internal dimensions 450W x 340H x 450D
- Triple glass insulated door
- Automatic cooling fan
- Electronic ignition

OVEN FUNCTIONS

- Light
- Fan Assisted Baking
- Classic bake - no fan running
- Electric Grill Fan Assisted
- Electric Grill Static - no fan running

FEATURES:

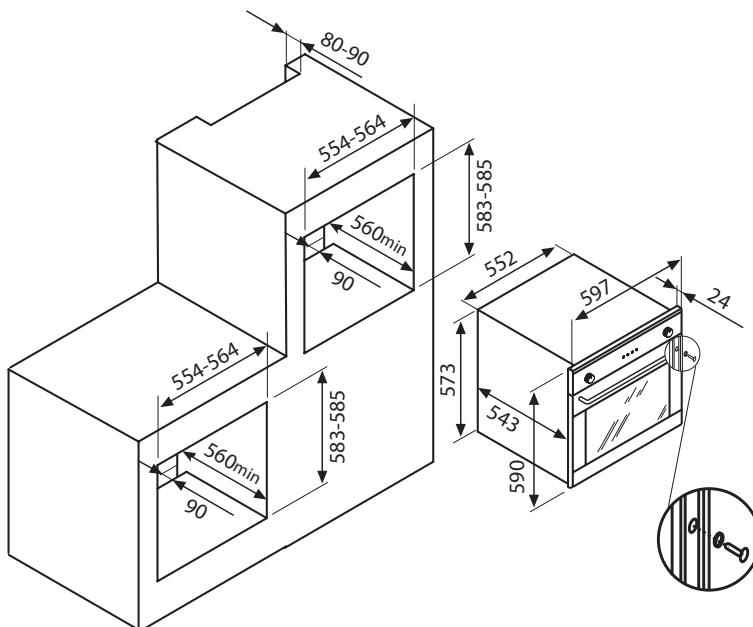
- Full glass inner door
- Removable inner glass for cleaning
- Digital timer
- Full width oven door handle
- Stainless steel outer door frame
- Closed door electric grill

TECHNICAL:

- Only requires a 10 amp connection
- ABLE TO OPERATE WITHOUT ELECTRICAL CONNECTION.
- Maximum electrical consumption 2300W
- Maximum gas consumption 7.5 Mj/H natural gas
- Maximum gas consumption 8.5 Mj/H LPG
- LPG conversion kit included. Easy conversion.
- Suitable for easy flexible gas hose connection.
- PERFECT FOR SOLAR POWER APPLICATIONS

INCLUDED:

- 2 wire racks
- Grill tray with rack
- LPG Conversion kit
- Removable oven side racks
- 2 Year warranty
- Made in Italy by Glem Gas.



Please note:

Every effort has been made to ensure this information is correct. However, due to product improvement Emilia Glem reserves the right to make changes to products without prior notice.