

# So instant

Boiling and chilled  
filtered water instantly  
with Zip HydroTap®



So simple





No waiting for water to boil.  
 No more bottled water to buy.  
**Zip HydroTap** makes life  
 so simple.



## Press

The red lever for filtered  
 boiling water, blue for chilled.



## Lift

The red lever for a continuous  
 flow of boiling water.



## Safety

When activated, child safety lock  
 requires adult finger-thumb operation.



So quick





With **Zip HydroTap**,  
you are back in seconds  
with hot and cold drinks  
without missing any fun.



## Quicker tea

No waiting for water to boil.  
Press the red lever, and out it  
pours - boiling water at just the right  
temperature to make perfect tea.



## Quicker coffee

Lift the red lever to fill your  
plunger with boiling water, instantly.  
Flick the red lever again, and the  
flow stops, instantly.



## Quicker drinks

Press the blue lever for an endless  
supply of great-tasting, crystal-clear  
filtered chilled drinking water at a  
fraction of the cost of bottled water.



So clever





Just a few clever things  
you can do in an instant  
with your **Zip HydroTap**.

## Clever soups & noodles

Dissolve stock cubes, packet soups  
and noodle snacks in a flash. No need  
to use a kettle or microwave.



## Clever vegetables

Nothing like instant boiling  
water and instant chilled water  
to blanch vegetables.



## Clever pasta

Start with boiling water  
(instead of cold) to cut minutes  
off pasta cooking time.



## Clever jellies

Sweet or savoury jellies  
are made in an instant with  
instant boiling water.



So healthy







## Here's to Zip HydroTap sub-micron water filtration for great-tasting drinking water.

A single inbuilt triple-action filter:

1. Removes micro-organisms as tiny as **one thousandth of a millimetre**.
2. Reduces chlorine and other contaminants as per NSF/ANSI 42 and 53.
3. Removes particulates contaminating the water supply.
4. Inhibits mineral-scale accumulation in the boiling water storage tank.
5. Provides great-tasting, crystal-clear drinking water.
6. Does not filter out any fluoride added to the water supply.



## Healthy filtration

Filters out chlorine taste and odour, plus micro-organisms as tiny as 1/1000th of a mm, including the parasites *cryptosporidium* and *giardia*.

## Healthy reminder

A filter change warning light flashes to show when a filter change is due. Filter replacement at least once each 12 months is recommended.

So sensible





Highly energy-efficient,  
**Zip HydroTap** gives boiling  
 and chilled water for a few  
 cents a day.



## Minimal Energy Costs\*

Standby power: less than 12 cents a day  
 (with Sleep Mode active 10 hours in 24).

Boiling water: seven cups for 1 cent.

Chilled water: twenty glasses for 1 cent.



## Air-cooled system, not water cooled

To conserve water, the under-sink system  
 is air cooled instead of water cooled. It is  
 never called upon to dump water to waste  
 like water cooled systems are.



## Sleeps when inactive

Sleep-when-inactive feature can be pre-set  
 to power-down after 2 or 4 hours of non-use,  
 maintaining stored "boiling" water at a hygienic  
 > 64°C temperature. Recovers to pre-set  
 boiling temperature when re-used.



## Innovative energy saving technology

New Power-Pulse™ energy-saving  
 technology cuts energy consumption.  
 Applies full power (to heat boiling water)  
 only during periods of heavy use. Cuts back  
 to micro-pulse power during light usage  
 periods or when unused. Also maintains  
 boiling water temperature more precisely  
 than ever before.



## Programmable 24/7 timer

Can disconnect the power for preset  
 periods during the day, evening or weekends  
 – caters for two on/off cycles daily for each  
 seven-day period.

\*Approximate energy costs based on common current  
 power charges. Cup = 167 ml. Glass = 200 ml.



# So practical



The optional Zip HydroTap 'font' elevates the tap outlet for filling pots and carafes. It also drains drips and spills away to waste. Can be positioned away from your sink.



You can install your **Zip HydroTap** practically anywhere in your kitchen, bar or cabana.



## On a single sink

Install your Zip HydroTap to the rear and left of the sink bowl.



## On a double sink

Install your Zip HydroTap to the rear and left of the left hand sink bowl.



## On its own 'font'

Position your Zip HydroTap away from your sink with the Zip 'font' accessory.





So choose



## 1. Choose the Zip HydroTap system you need.

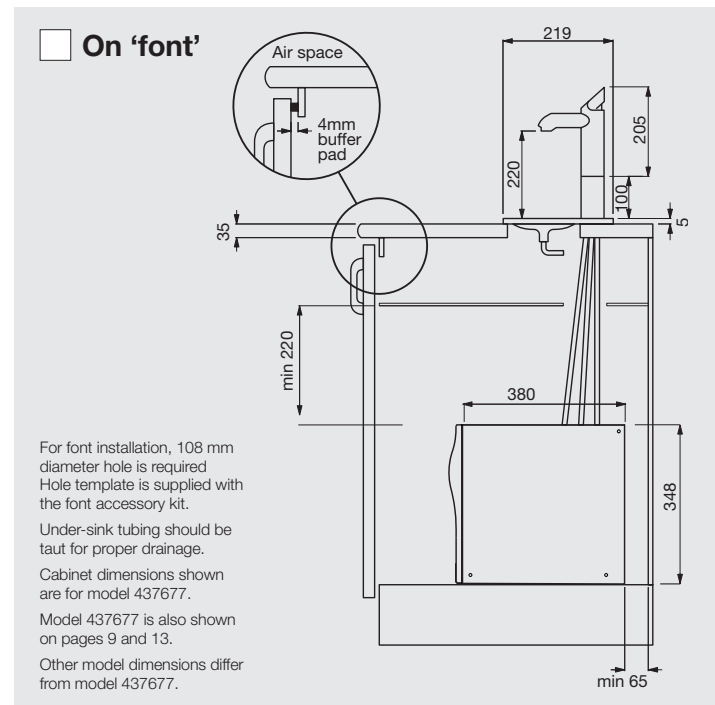
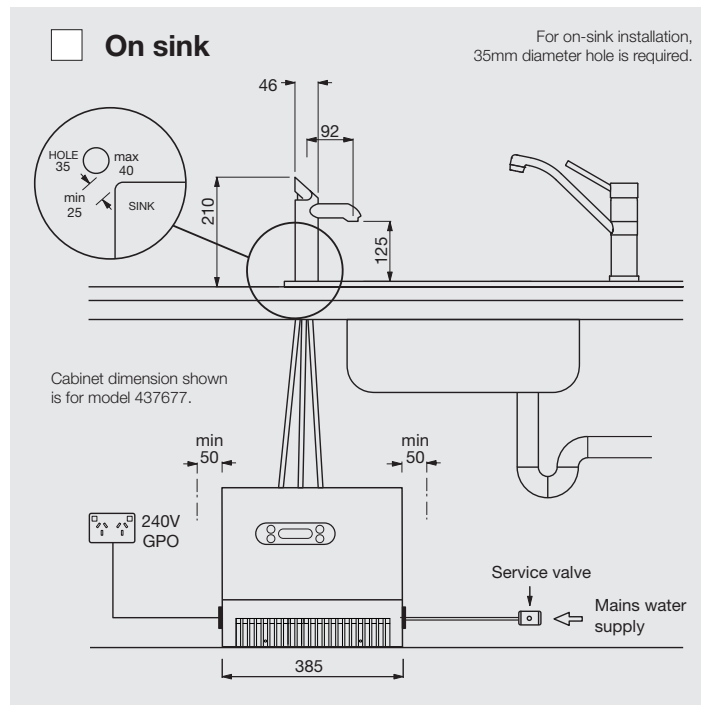
- Boiling + Chilled**  
filtered boiling water  
and filtered chilled water.
- Boiling + Cold (Ambient)**  
filtered boiling water and  
filtered room temperature water.
- Boiling Only**  
boiling water alone  
(either filtered or unfiltered).

## 2. Choose the Zip HydroTap model matching your need.

Zip HydroTap Model	Boiling Water	Chilled Water	Cold Water	Water Filter	Order Code	Power Rating (total kW)	Under-Sink W x D x H (mm)	
<input type="checkbox"/> Domestic BC Standard (b)	Yes	Yes	No	Yes	37677	1.7 kW	430 x 430 x 337	(a) Programmable boiling and chilled temperature setting.
<input type="checkbox"/> Domestic BC Compact (a)	Yes	Yes	No	Yes	437677	1.7 kW	385 x 380 x 348	
<input type="checkbox"/> Domestic BC Split System (b)	Yes	Yes	No	Yes	35621	1.7 kW	280 x 323 x 337 B 353 x 253 x 377 C	(b) Programmable boiling temperature setting.
<input type="checkbox"/> Domestic BA Standard (b)	Yes	No	Yes	Yes	37697	1.5 kW	280 x 323 x 337	
<input type="checkbox"/> Domestic B – Filtered (b)	Yes	No	No	Yes	35676	1.5 kW	280 x 323 x 337	
<input type="checkbox"/> Domestic B – Unfiltered (b)	Yes	No	No	No	30009	1.5 kW	188 x 320 x 334	All models carry a two year warranty.

Tap font is an optional accessory – order code 90046 Replacement filter – order code 91240

## 3. Choose where your Zip HydroTap will go.



# Zip HydroTap®

Boiling and chilled  
filtered water instantly



## Need more information?

Contact your Zip HydroTap supplier.  
Or call Zip Customer Care on 1800 42 43 44.

Zip Heaters (Aust) Pty Ltd  
67 Allingham Street  
Condell Park NSW 2200 Australia  
Telephone +61 2 9796 3100  
Facsimile +61 2 9796 3858  
[www.zipindustries.com](http://www.zipindustries.com)

The terms 'Zip', 'HydroTap' and 'Power Pulse' are trade marks.  
Copyright May 2009, brochure 11052009.

