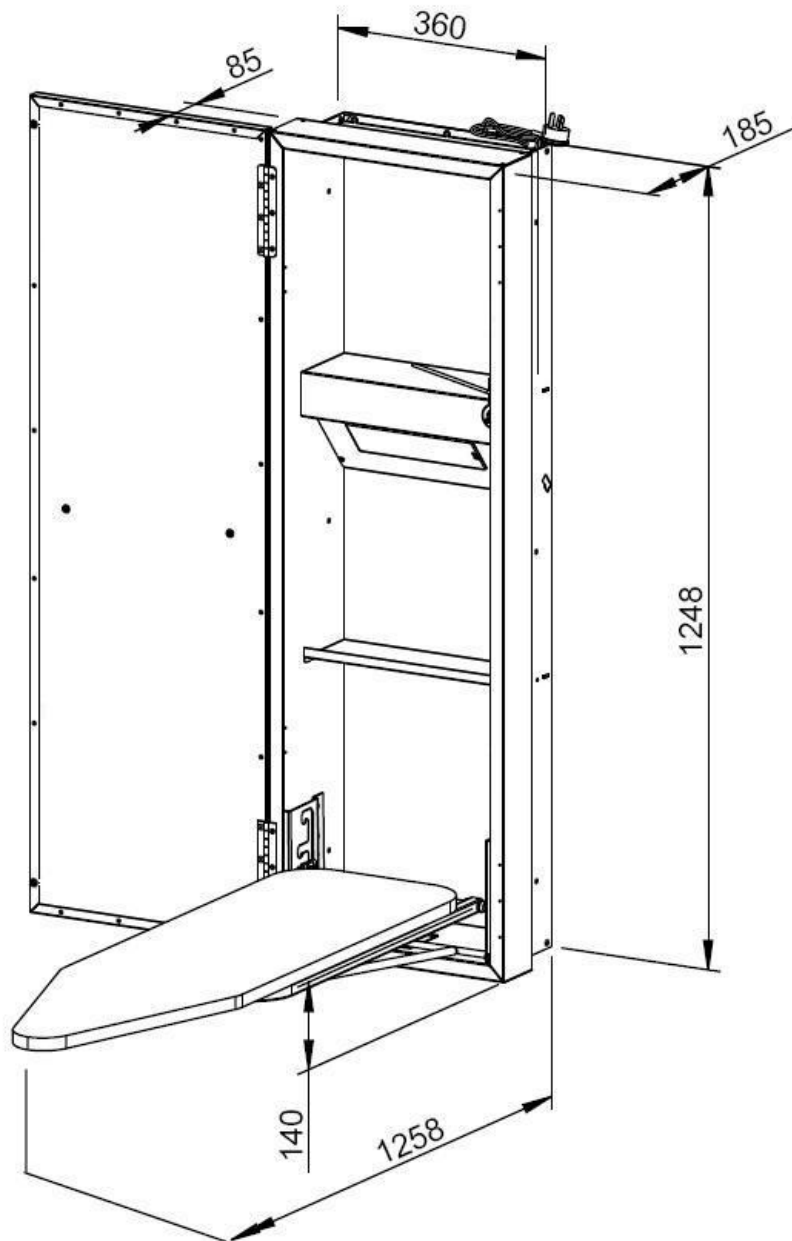


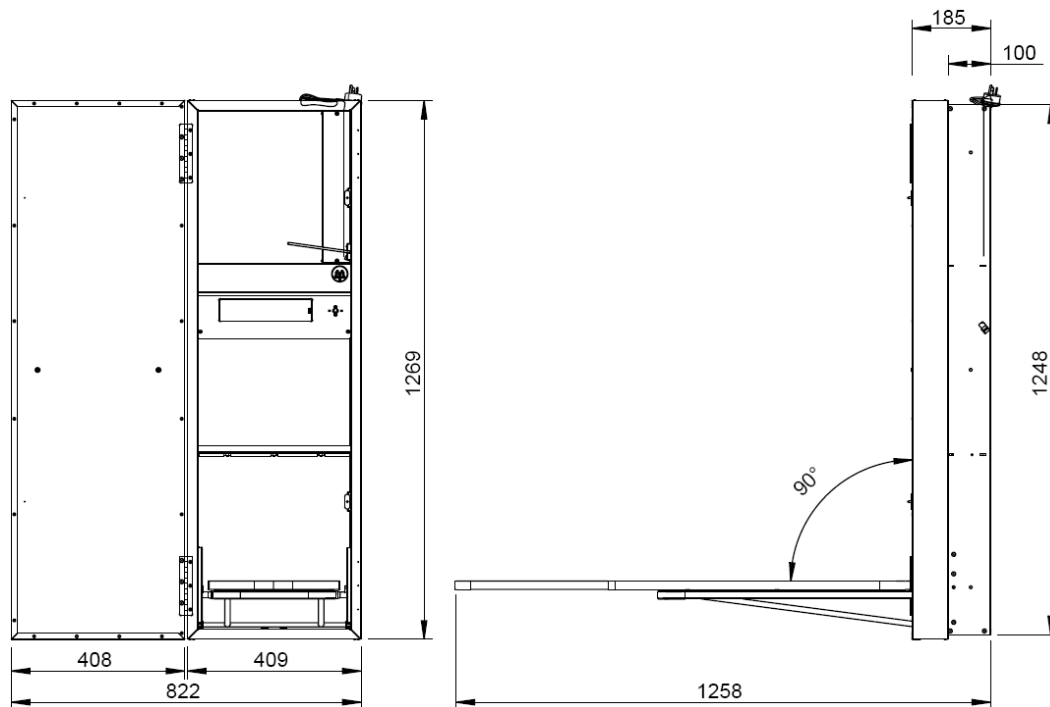
Description: **ROBINHOOD IRONING CENTRE**
Model Number: **IC1300**



All dimensions in mm
Model may vary slightly from images pictured

Model pictured: **ICI300**

Overview



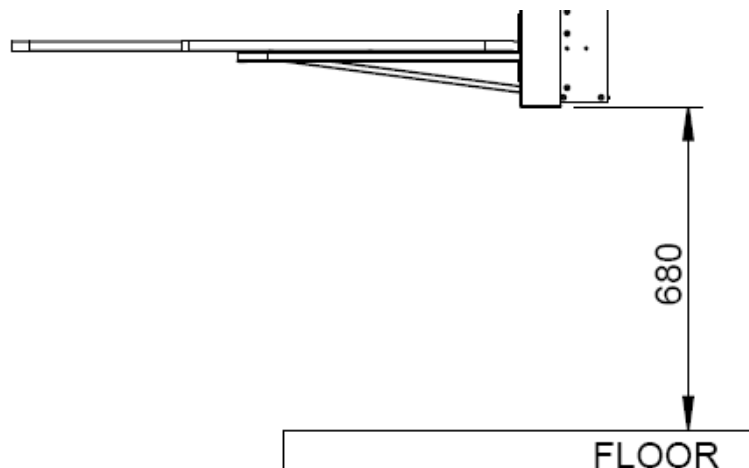
Contents of packaging:

- | | |
|--|-------------------------|
| 1 x Robinhood Ironing Centre | 1 x Handle |
| 1 x Installation kit (incl screws, magnetic catch. etc.) | 1 x Ironing Board Cover |
| 1 x Door | |

Pre-installation

Important:

- Please read the entire instructions before installing the Ironing Centre.
- Robinhood Ironing Centre can be mounted in two ways: Recessed Mount and Surface Mount. For Surface Mount the addition of a decorative surface mounting collar is recommended (Product Code ICSMK).
- Remove the Packing Stops with the small flat screwdriver from the Ironing Board assembly.
- Ascertain from the user the DESIRED HEIGHT of the Ironing Board when in the open position.
- We recommend an ironing surface height of 830mm above the floor for an average adult. To obtain this surface height, the height of the unit (see diagram below) must be 680mm above the floor.
- 830mm is based on the second or middle position of the ironing board.



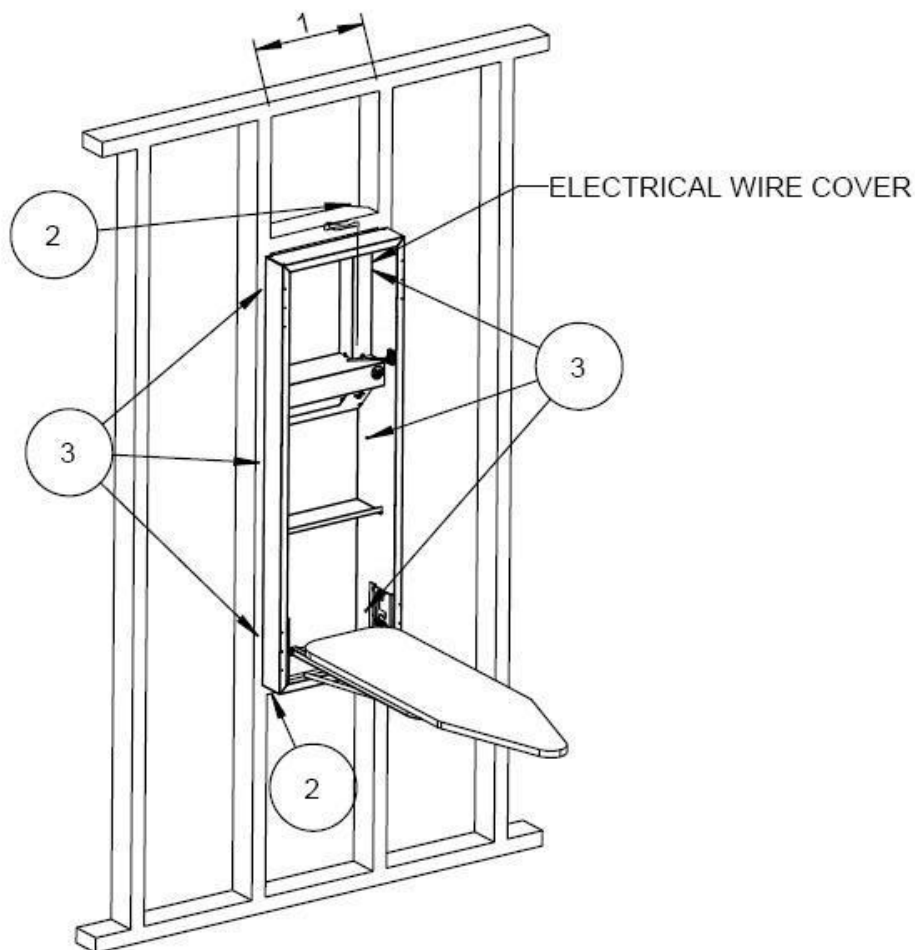
Mounting the Ironing Centre

SURFACE MOUNT OPTION

- Make sure solid timber studs or mounting points are in suitable position for the mounting of the ironing centre.
- Due to many different installation possibilities no holes have been provided for these screws, Robinhood suggest making 6 holes of suitable diameter for fixing to the customers preferred location. (it may be necessary to purchase different length screws and/or wall anchors for correct fitting).

NOTE: Surface mounting Kit (Product Code ICSMK) is also available.

RECESS MOUNT OPTION



SIZE OF WALL OPENING

1. The Ironing Centre is designed to fit between 362mm studs. Take out a section of the wall and insert two timber studs vertically at 362mm apart.

ATTACH BRACE

2. Attach horizontal brace (noggin) between the studs at the desired heights above and below the unit. Ensure that the braces are level and the top brace is cut to allow the electrical plug and wire to pass through.

MOUNT CABINET

3. Lift cabinet into place, rest the cabinet on horizontal brace, plumb and shim cabinet to fit, and attach to studs using the supplied six screws. Mounting hole position are indicated by the arrows. Remove the electrical wire cover to access mounting hole on the right hand side.

Note - Be sure to allow for wall covering thickness behind cabinet face frame.

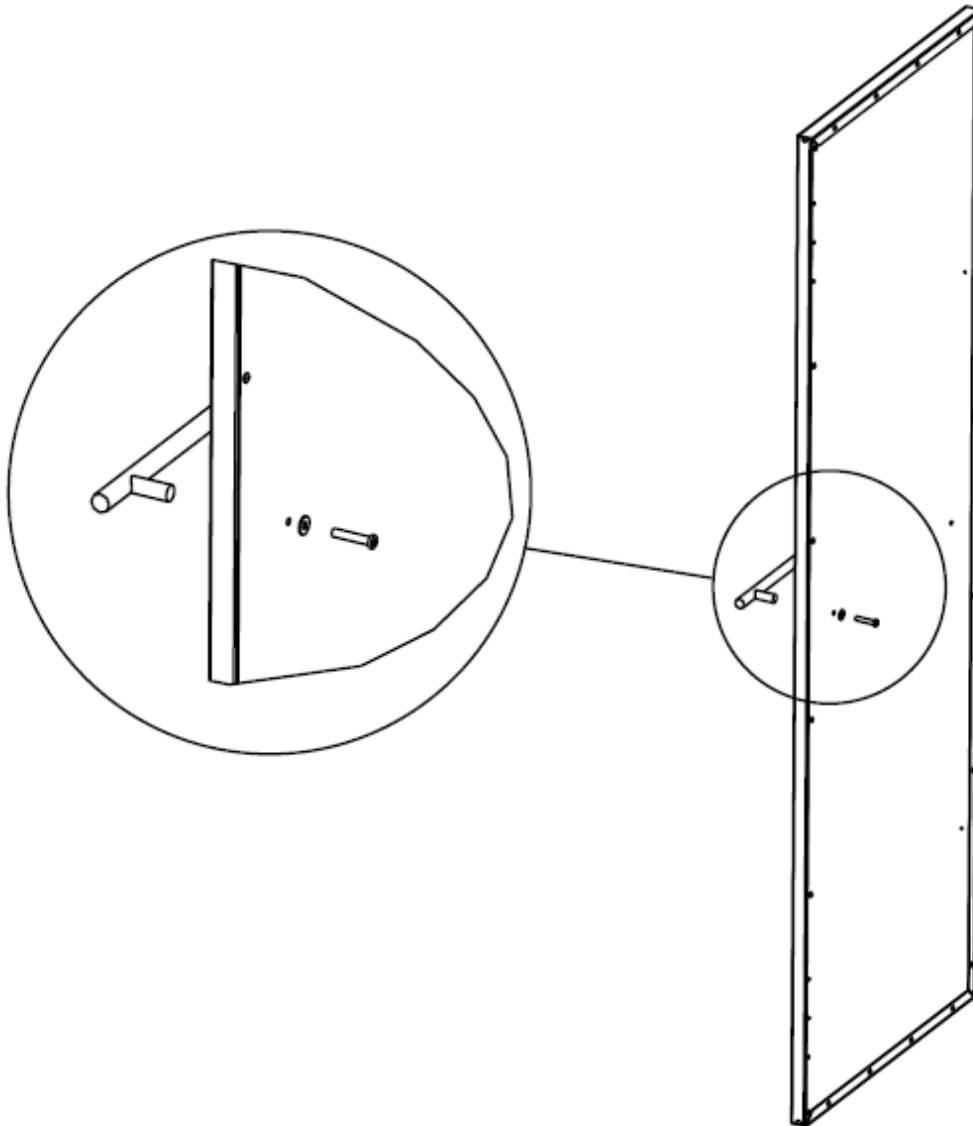
Connecting the Ironing Centre to Electric Power

- For recessed mount, an external ON/OFF (safety) switch for the Ironing Centre must be installed near the unit. An additional power socket can be installed inside the wall between the switch and power plug.
- Alternatively the unit can be hard wired directly to the switch by an electrician.
- For surface mount, the Ironing Centres' plug and lead can be easily plugged into a nearby wall socket, or can be hard wired by an electrician. (The electrical safety standard requires the following "Switches shall be directly connected to the supply terminals and shall have a contact separation in all poles, providing full disconnection under overvoltage category III conditions").

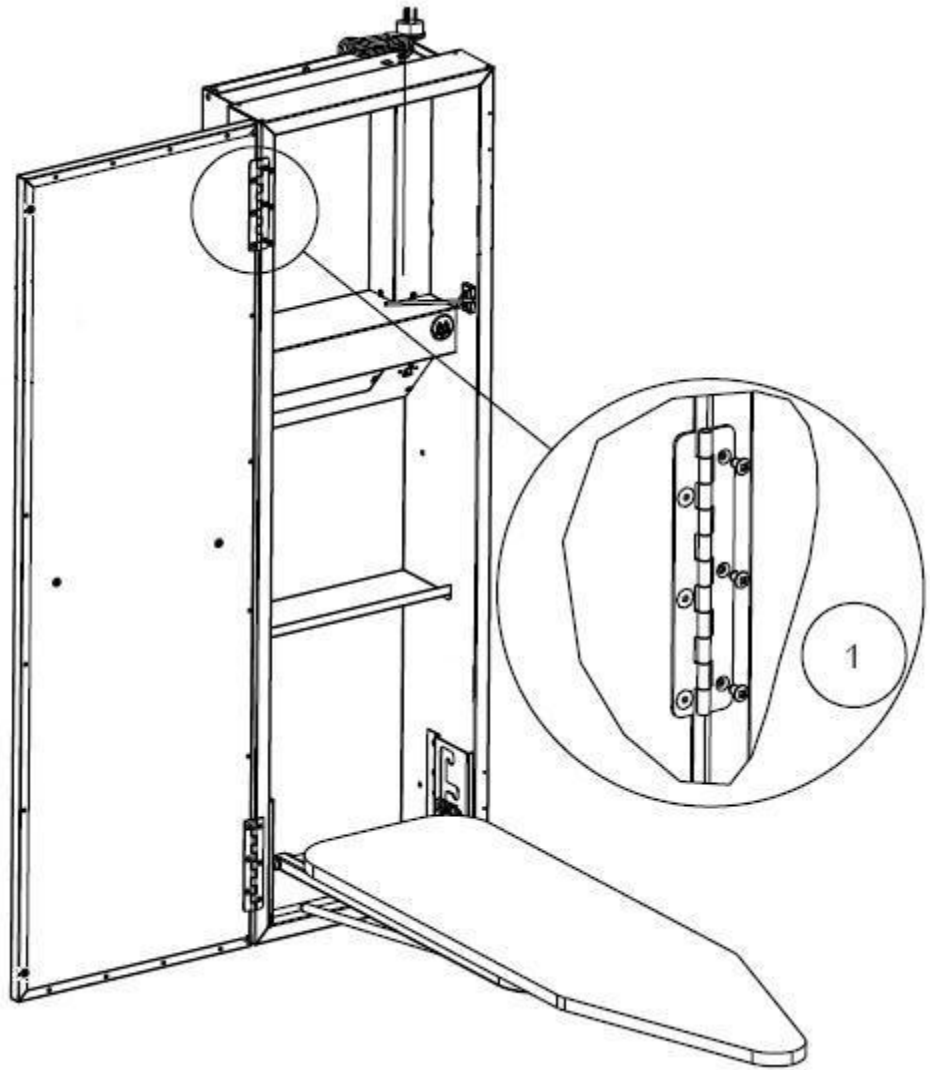
Door Assembly Handle Instructions

Mounting the handle to Cabinet Door

4. To fix handles to the drawer, firstly clear the existing holes from the front using the screws supplied. Insert screw & washer from the inside (back of the drawer front) of the drawer, place handle on the outside of the drawer front and secure in two locations. Be careful not to scratch the drawer fronts whilst installing the handles.



Door Assembly Instructions



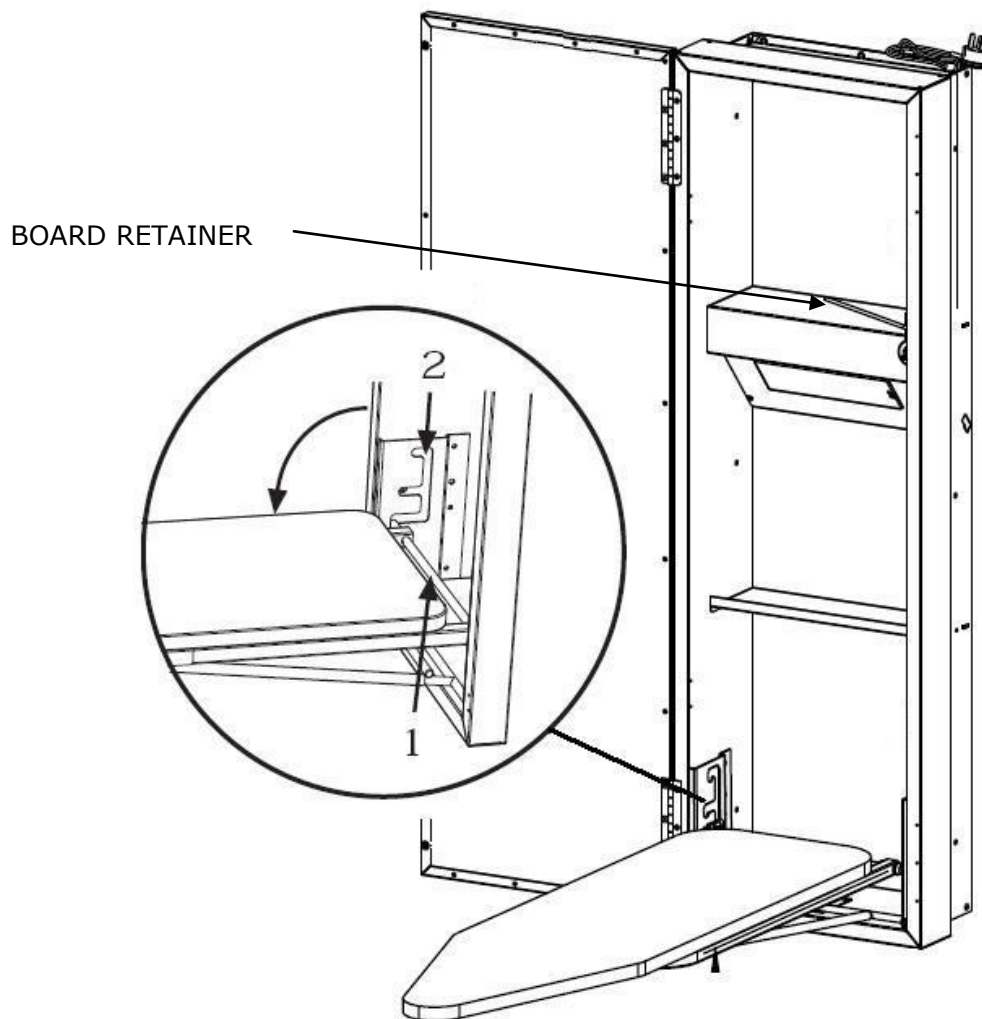
Mounting the Cabinet Door

5. Door may be hinged from either side of the cabinet (illustration is shown for left side hinging). Both sides of the cabinet have pre-punched holes.
6. Use the two hinges already fix to the door.
7. Attach the hinges to the cabinet using the screws supplied at the top and bottom section of the cabinet.
8. Use the decorative plugs supplied to cover the unused pre-punched holes.

Fixing Magnetic Catch

9. Magnetic catch is fixed opposite to the hinge.
10. Fixing position is located on the top section of the cabinet and the door.

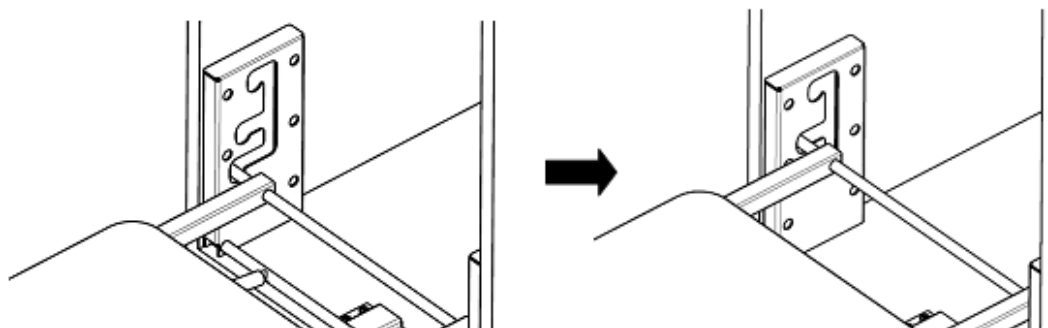
Operating Instructions



To open the Ironing Board, lift board retainer and lower the board. To store Ironing Board, follow the steps in reverse order.

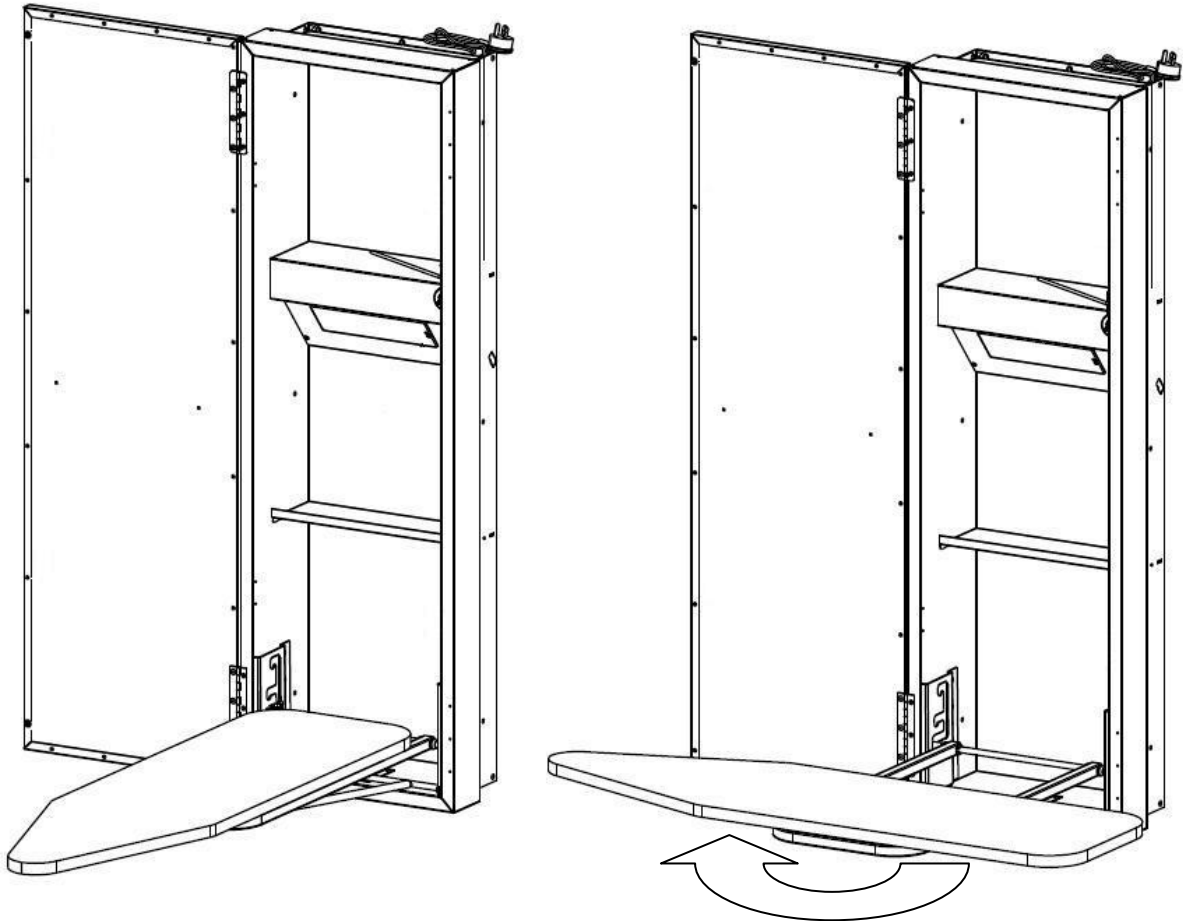
The Ironing Board can swivel 180 degrees and has three working heights, to adjust the board:

1. With the board in the horizontal position hold the board with one hand near the base (NOT BY THE NOSE) and support the pivot rod with the other hand.
2. Adjust the Ironing board to the desired position by lifting the board (NOT BY THE NOSE) and moving it to the path of height adjust bracket.



NOTE: In order to store the Ironing board, it must be on its lowest position.

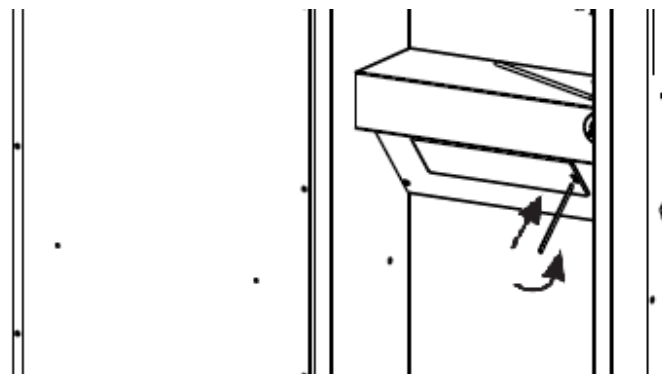
Board rotation



3. Make sure the door is clear if the board is to be rotated.
4. With the board in the horizontal position hold the board with both hands (NOT BY THE NOSE) and rotate around the centre pivot the unit will click into the required position.

NOTE: In order to store the Ironing board, it must be on its lowest position and rotated back.

Lamp Replacement



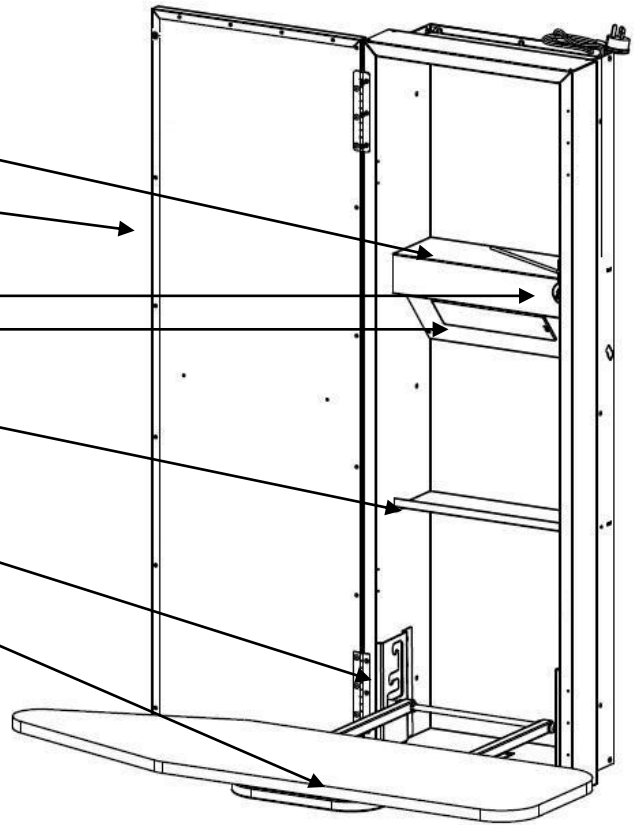
1. Disconnect Ironing Centre from power supply. Ensure the power is switched off.
2. Insert small screwdriver or slim knife as shown, ease catch to side and slip out diffuser.
3. Replace lamp (40 watt max.)
4. Slide diffuser back into aperture and "click" into place. Turn power back on.

Ironing Centre Features

The Robinhood Ironing Centre has the following features:

- Surface or recess mountable
- Heat resistant shelf for iron storage
- Integrated cotton coated cover
- Right / left hand or no door options
- Magnetic door catch opening door
- Round corners board
- Built in 230-240 volt power outlet
- 40 watt light
- Utility shelf for spray bottle storage
- Auto timer
- 3 level height adjustable
- Board Swivels a full 180°

YOUR IRONING CENTRE BOARD IS FITTED WITH A HEAT RESISTANT COVER.



Important safety information

- The appliance is supplied with an approved power cable which must not be changed. If the supplied cord of this equipment is damaged, it must only be replaced by the manufacturer, its service agent or similarly qualified person in order to avoid hazard.
- Upon installation, ensure that the socket outlet (for Surface Mount) or ON/OFF switch (for RECESSED MOUNT) remains easily accessible after installation.
- This appliance is not intended for use by persons (including children) with reduced physical, sensory or mental capabilities, or lack of experience and knowledge, unless they have been given supervision or instruction concerning use of the appliance by a person responsible for their safety.
- Young children should be supervised to ensure that they do not play with the appliance.
- Should you be fitting a door to the enclosure holding this product, please be mindful of the position of all door furniture (hinges, handles etc). Specifically ensure the board will operate without obstruction.
- You must read the details concerning the method of cleaning.
- Do not remove the board retainer.
- Do not place EXCESSIVE WEIGHT (weight should not exceed 15kg) on the ironing board when opened, as it is designed to only accept normal ironing use only.
- Allow iron to cool down before storing in the cabinet.
- Iron not to exceed 2260 Watt.
- Empty water reservoir and turn off steam action prior to storing iron.
- Turn power off when not in use.
- PLEASE DO NOT WASH THE COVER The laminated surface of the unit may be wiped clean with non abrasive household cleaner.

Warranty Certificate (New Zealand)

Terms and Conditions

The following conditions apply in respect of the warranty given in this certificate:

1. Parbury Pty Limited ("Parbury") warrants the following Robinhood products against manufacturing defects and faulty materials, under normal use and subject to the exclusions in this certificate, for a period of:
Rangehood - 24 months from date of original purchase for domestic use.
Uniduct - 12 months from date of original purchase for domestic use.
Ironing centre - 12 months from date of original purchase for domestic use.
Waste disposal - 24 months from date of original purchase for domestic use.
"Original purchase", when used in this certificate, means purchase by the customer directly from Parbury or one of its approved suppliers.
2. This warranty is limited to the repair or replacement, at our option, within the warranty period of any component part which we at our discretion determines to contain faulty materials or a manufacturing defect in breach of this warranty. This warranty is subject to terms and conditions set out in this certificate.
3. The warranty only applies within New Zealand.
4. The customer must produce the original invoice or other purchase documentation as proof of the original purchase date.

Warranty exclusions

1. The warranty does not apply where, in Parbury's opinion:
The defect is caused by misuse, wear and tear, dirt, fire or accidental damage.
The product has been repaired or serviced by an unauthorised person.
The product was not installed in accordance with our instructions.
The product was purchased overseas or was not designed for use in New Zealand.
The product was not used, cleaned or cared for in accordance with our instructions.
The product was used outdoors.
All Robinhood rangehoods are suitable for indoor use only, and not suitable over BBQs or charcoal cookers designed for outdoor use.
2. In addition, this warranty does not extend to damage or defects which in our opinion, directly or indirectly arise from or
Exposing the product to acidic or corrosive materials or chemicals such as dyes, solvents, denture cleaner or acetone;
Using inappropriate household cleaning products such as abrasive cream or powder cleansers, furniture polish, bleach, mentholated spirits, drain cleaners, sugar soap, metal pads and strongly alkaline or acidic cleaners;
Heat damage, including from washing the product at high temperatures;
Impact or mishandling the product, including the impact caused by objects scraped along, thrown or dropped on the surface or excessive weight being placed on the product;
Structural or support changes in or affecting the building or the application where the product has been installed;
Failure to clean or maintain the product as recommended; or
Any other causes specified in the product information as being excluded from this warranty.
3. Variations with the colour or gloss within the product or any ageing or fading of colour, shine or gloss level over time are not covered by this warranty. The warranty does not cover visual imperfections or blemishes in the surface and edges of product that were not brought to your supplier's attention at the time you inspected the product.
4. Costs incurred on installation or removal of a product, or any reinstallation of a product, or any associated costs, are not covered by this warranty.
5. Parbury will not be liable for consequential or indirect loss or damage whatsoever and however arising out of or in with the supply, performance or removal of the product, including (but not limited to) loss of profit, loss of revenue, loss of contract, loss of goodwill or increased cost of workings, even if due to the negligence of Parbury or any of its approved suppliers, employees or agents.
6. Charcoal filters and light bulbs are not covered by this warranty
7. This warranty and the statements contained in this certificate or other documents given to you do not exclude, restrict or modify the application of any term implied into this warranty by statute, provided that (to the extent any statutory permits Parbury to limit its liability for a breach of an implied condition or warranty) Parbury's liability for such breach is to the payment of the cost of replacing the product, repairing the product or acquiring an equivalent product.
8. Subject to clause 5, our obligations under this warranty are limited to those set out in this certificate, and this warranty is expressly instead of all other warranties, express or implied, including any implied warranty of merchantability or fitness particular purpose and notwithstanding any course of dealing between the parties or custom and usage in trade to the contrary.

Should warranty service be required, please contact us:

Free Phone: 1800 648 556

Free Fax: 1800 628 577

Email: enquiries@robinhood.co.nz

Website: www.robinhood.co.nz

Terms and conditions are subject to change without notice

Warranty Certificate (Australia)

Terms and Conditions

The following conditions apply in respect of the warranty given in this certificate:

1. Parbury Pty Limited ("Parbury") warrants the following Robinhood products against manufacturing defects and faulty materials, under normal use and subject to the exclusions in this certificate, for a period of:
Rangehood - 24 months from date of original purchase for domestic use.
Uniduct - 12 months from date of original purchase for domestic use.
Ironing centre - 12 months from date of original purchase for domestic use.
"Original purchase", when used in this certificate, means purchase by the customer directly from Parbury or one of its approved suppliers.
2. This warranty is limited to the repair or replacement, at our option, within the warranty period of any component part which we at our discretion determines to contain faulty materials or a manufacturing defect in breach of this warranty. This warranty is subject to terms and conditions set out in this certificate.
3. The warranty only applies within the Commonwealth of Australia.
4. The customer must produce the original invoice or other purchase documentation as proof of the original purchase date.

Warranty exclusions

1. The warranty does not apply where, in Parbury's opinion:
The defect is caused by misuse, wear and tear, dirt, fire or accidental damage.
The product has been repaired or serviced by an unauthorised person.
The product was not installed in accordance with our instructions.
The product was purchased overseas or was not designed for use in Australia.
The product was not used, cleaned or cared for in accordance with our instructions.
The product was used outdoors.
All Robinhood rangehoods are suitable for indoor use only, and not suitable over BBQs or charcoal cookers designed for outdoor use.
2. In addition, this warranty does not extend to damage or defects which in our opinion, directly or indirectly arise from or are due to:
Exposing the product to acidic or corrosive materials or chemicals such as dyes, solvents, denture cleaner or acetone;
Using inappropriate household cleaning products such as abrasive cream or powder cleansers, furniture polish, bleach, mentholated spirits, drain cleaners, sugar soap, metal pads and strongly alkaline or acidic cleaners;
Heat damage, including from washing the product at high temperatures;
Impact or mishandling the product, including the impact caused by objects scraped along, thrown or dropped on the product surface or excessive weight being placed on the product;
Structural or support changes in or affecting the building or the application where the product has been installed;
Failure to clean or maintain the product as recommended; or
Any other causes specified in the product information as being excluded from this warranty.
3. Variations with the colour or gloss within the product or any ageing or fading of colour, shine or gloss level over time are not covered by this warranty. The warranty does not cover visual imperfections or blemishes in the surface and edges of the product that were not brought to your supplier's attention at the time you inspected the product.
4. Costs incurred on installation or removal of a product, or any reinstallation of a product, or any associated costs, are not covered by this warranty.
5. Parbury will not be liable for consequential or indirect loss or damage whatsoever and however arising out of or in connection with the supply, performance or removal of the product, including (but not limited to) loss of profit, loss of revenue, loss of contract, loss of goodwill or increased cost of workings, even if due to the negligence of Parbury or any of its approved suppliers, employees or agents.
6. Charcoal filters and light bulbs are not covered by this warranty
7. This warranty and the statements contained in this certificate or other documents given to you do not exclude, restrict or modify the application of any term implied into this warranty by statute, provided that (to the extent any statutory provision permits Parbury to limit its liability for a breach of an implied condition or warranty) our liability for such breach is limited to the payment of the cost of replacing the product, repairing the product or acquiring an equivalent product.
8. Subject to clause 5, our obligations under this warranty are limited to those set out in this certificate, and this warranty is expressly instead of all other warranties, express or implied, including any implied warranty of merchantability or fitness for a particular purpose and notwithstanding any course of dealing between the parties or custom and usage in trade to the contrary.

Should warranty service be required, please contact us:

Free Phone: 1800 648 556

Free Fax: 1800 628 577

Email: enquiries@robinhood.com.au

Website: www.robinhood.com.au

Terms and conditions are subject to change without notice