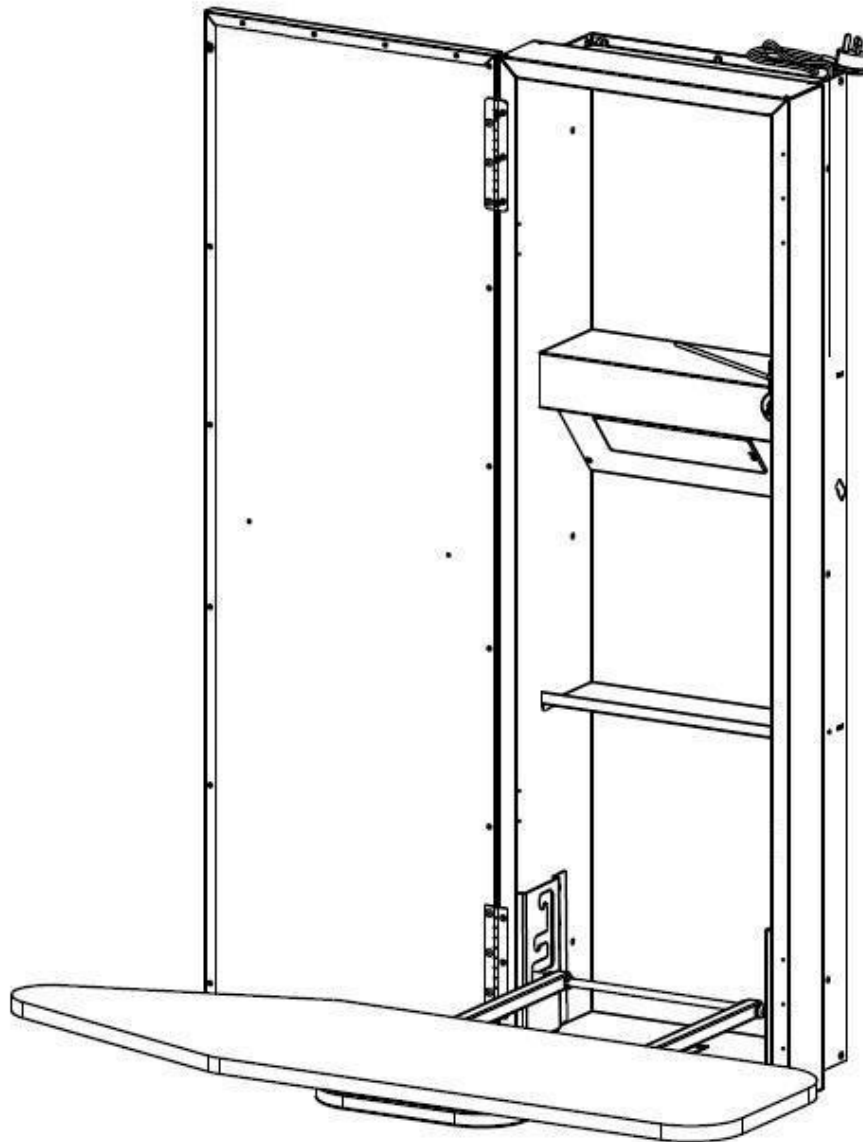
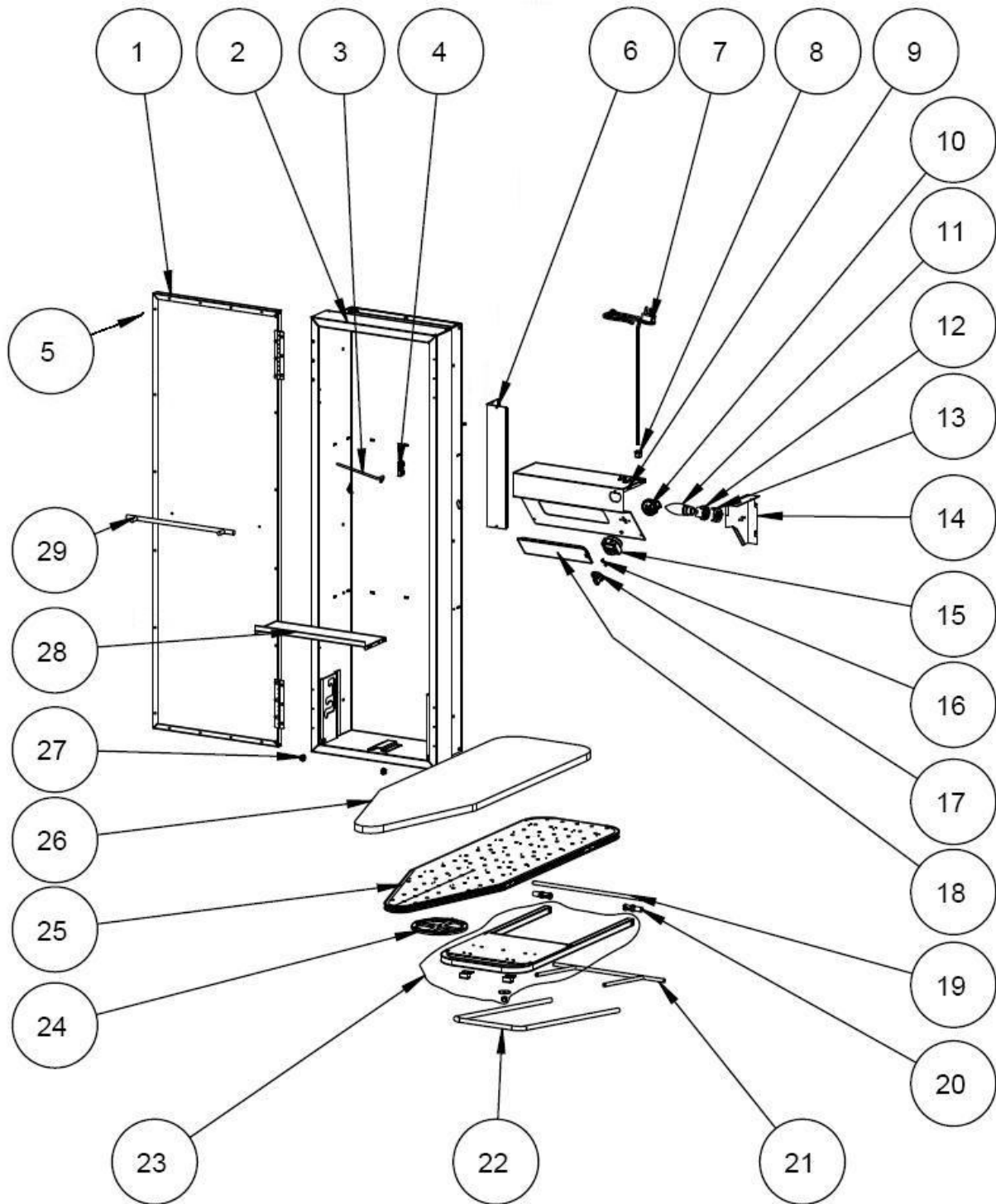


Description: **ROBINHOOD IRONING CENTRE**  
Model Number: **IC1300**



# Exploded View



Item	Description	Part number
		IC1300
1	Door Assembly	107922
*2	Cabinet	Part not available
3	Board Retainer	107876WH
4	Retainer Bracket Plastic	107771WH
5	I/C Installation Kit (Door)	107923
6	Electric Cover	Part not available
7	Power Cord	107778
8	Heyco Bush	104044
*9	Console	Part not available
10	Power Point	107810
11	Incandescent Globe	102722
12	Lamp Holder	103715
13	Snap On Insulation Cap	107646
*14	Wire Cover	Part not available
15	Timer	107655
*16	SCREW 6x1/4"	Part not available
17	Timer Knob	107499WH
18	Diffuser	103125
19	Pivot Rod	107855WH
20	Grommet Height Adjustment	107877
21	Pivot Stop	107873WH
22	U Bar	107875WH
23	Swivel Assembly Spare Part	107673
24	Rotational Bearing	107617
25	Ironing Board Spare Part	107672
**26	Ironing Board Cover	IBC01
27	Bush	107845

		Part number
Item	Description	ICI300
<b>28</b>	Shelf	Part not available
<b>29</b>	Handle	107924
<b>**30</b>	Surface Mounting Kit Accessory	ICSMK

\* Parts not available outside of production

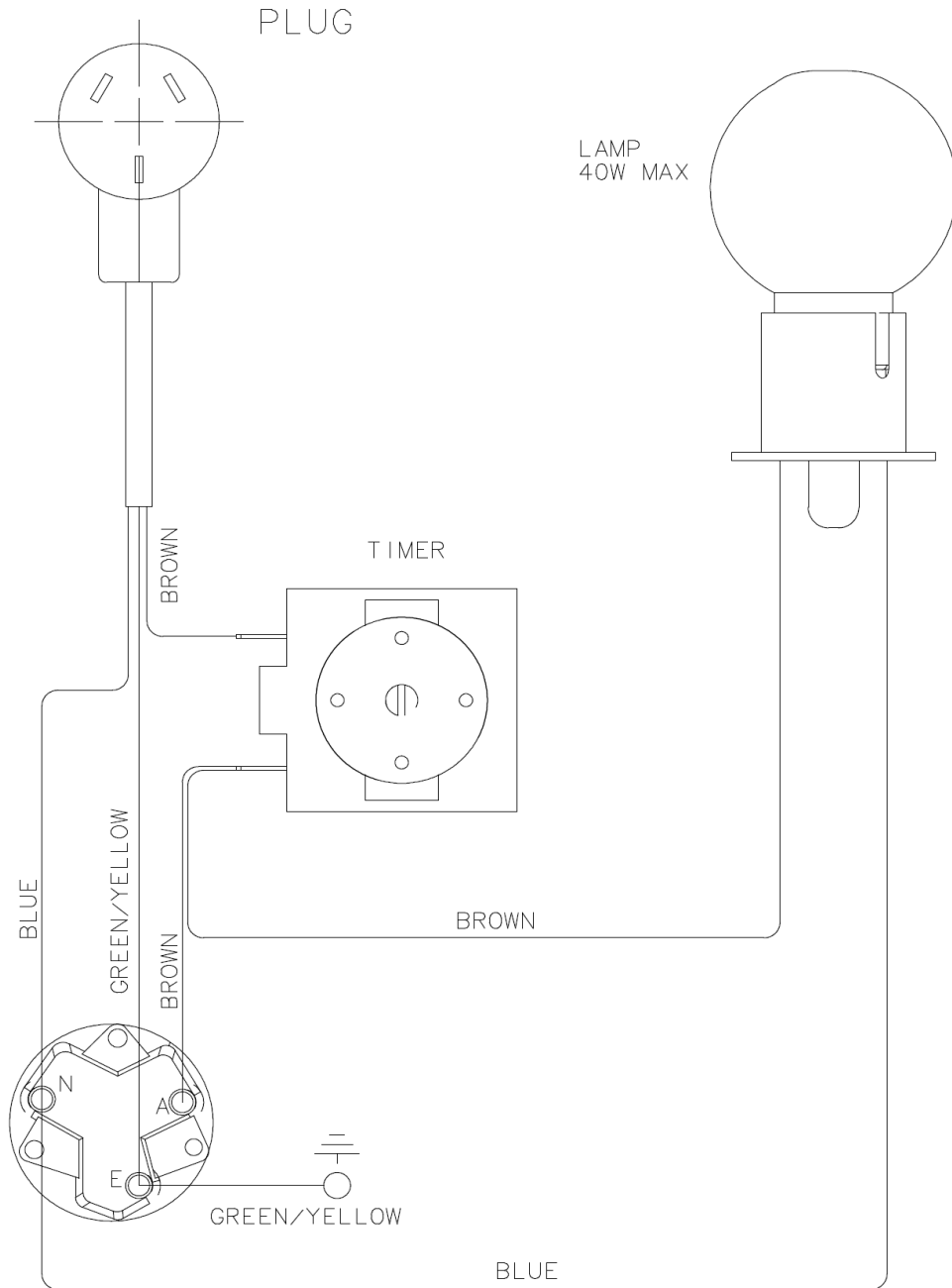
\*\* Available for purchase

## Ironing Board Removal

### ON **IC1300**

- Undo the M8 nut under the Ironing board.
- Replace the Ironing board.
- Replace flat washer and locknut; tighten to achieve correct locking when rotated.

# Electrical Circuit Diagram from the IC1300



ECN: 09 056

New Zealand  
Parbury Building Products (NZ) Limited  
Telephone: 0800 760 667  
Facsimile: 0800 276 246  
Email: [enquiries@robinhood.co.nz](mailto:enquiries@robinhood.co.nz)  
[www.robinhood.co.nz](http://www.robinhood.co.nz)

Australia  
Parbury Pty Limited  
(ABN 83 004 568 138)  
Telephone: 1800 648 556  
Facsimile: 1800 628 577  
Email: [enquiries@robinhood.com.au](mailto:enquiries@robinhood.com.au)  
[www.robinhood.com.au](http://www.robinhood.com.au)

 Robinhood

  
line  
com.au  
ce retailer