

Built-in Dishwasher

IVDBI60



Design is not forgotten with our built-in dishwasher. Match this full height, built-in dishwasher with your ILVE stainless steel oven or cooktop to create a total appliance match giving a sleek and modern finish to your new kitchen.



Pictured: • IVDBI60 Built-in Dishwasher

Built-in Dishwasher

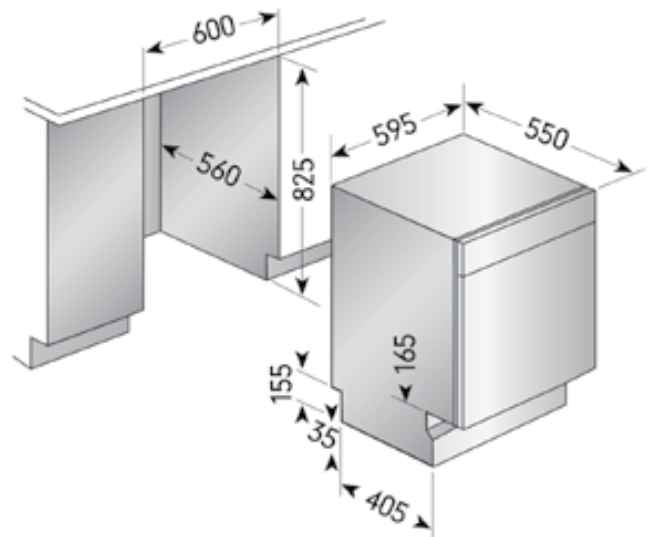
IVDBI60



Model IVDBI60 Built-in Dishwasher

- 12 IEC place setting
- 6 Washing programs
- Short wash program
- Direct injection wash system
- Two washing temperatures 65° – 55°C
- Stainless steel interior
- Turbo drying system
- Quietness; wash absorption built-in dampers
- Facility for long stem glasses
- Double anti-overflow device
- Self cleaning stainless steel microfilter
- Rinse aid indicator (internal)

** No Kick Panel is Supplied**



Model IVDBI60

Power requirements standard 10 AMP GPO

Australia National Telephone Number **1300 MY ILVE (69 4583)**

New Zealand Telephone Number 0508 458 369

ILVE showrooms are open daily from 9am-5pm and Saturdays 10am-4pm (WA by appointment only on Saturdays)

Purchase ILVE genuine accessories for this model at the ILVE online store – www.ilve.com.au

NSW & ACT (Head Office)
48-50 Moore Street Leichhardt
F 02 8569 4699

VIC, TAS & SA
1211 Toorak Road Camberwell
F 03 9809 2155

QLD
1/42 Cavendish Road Coorparoo
F 07 3397 0850

WA & NT
Unit 10/55 Howe Street Osborne Park
F 08 9201 9188

DISCLAIMER
Eurolinx PTY LTD, trading as ILVE Appliances, is continually seeking ways to improve the design specifications, aesthetics and production techniques of its products. As a result alterations to our products and designs take place continually. Whilst every effort is made to produce information and literature that is up to date, this brochure should not be regarded as an infallible guide to the current specifications, nor does it constitute an offer for the sale of any particular product. Product dimensions indicated in our literature is indicative only. Actual product only should be used to define dimension cutouts. Distributors, and retailers are not agents of ILVE Appliances and are not authorized to bind ILVE Appliances by any express or implied undertaking or representation.