



RANGEHOODS

Smeg rangehoods balance high beauty with faultless design. Quiet, powerful and energy-efficient, they are available in an incredible diversity of styles, from the discreetly concealed to the boldly stated. With some of the most advanced air extractors in the world, many offer automatic sensor control (ASC) that allows them to automatically detect vapours, including gas and then adjust the rangehood's speed to the most appropriate level. A select group of Smeg rangehoods is now equipped with break-through ENC technology, for lower energy consumption, lower noise levels and greater air capacities.



Island Rangehoods



IS7099X120

120cm Auto Sense Control Island Rangehood

Suspended from a ceiling or bulkhead, this magnificent island rangehood has no less than three fully removable and washable stainless-steel/aluminium grease filters and automatically senses vapours to help keep your cooking space free from unwanted odours. It offers 10 speeds, four halogen lights, a dim control and could grace the most sophisticated kitchen.

H925mm x W1200mm x D600mm

IS7099X90

90cm Manual Control Island Rangehood

This stunning 12-speed island rangehood has all the benefits of the wider 120cm IS7099X120.

H925mm x W900mm x D600mm



IS7088D180 / IS7088D150

180cm/150cm Auto Sense Control Island Rangehood

This dramatic four-speed appliance automatically turns on when it detects vapour. These models are cleverly equipped with reliable safety features and separate controls for each side.

H1091mm x W1800mm / 1500mm x D600mm



IS7599X90

90cm Manual Control Island Rangehood

The IS7599X90 offers 10 speeds, outstanding performance and a stylish combination of crystal glass and stainless steel.

H915mm x W900mm x D600mm



IS505X

32cm Manual Control Island Rangehood

This visually exciting, compact rangehood has a great selection of features and will complement almost any space – large or small.

H1170mm x Diameter 320mm



IS280

90cm Island Rangehood

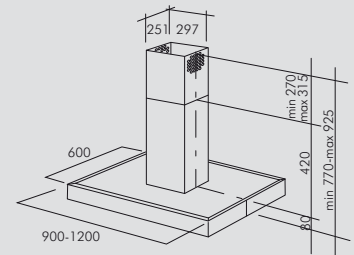
The IS280 offers a stylish mix of stainless steel with crystal glass. It has wide range remote control operation, four speeds and powerful air uptake. Also includes hand held remote control accessory.

H900mm x W712mm x D1241mm

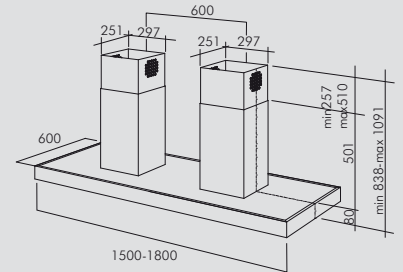
Features

| | ISLAND RANGEHOODS | | | | |
|---------------------------------------|---------------------------|---------------------------|---------------------------|---------------------------|---------------------------|
| | IS7099X120 / IS7099X90 | IS7088D180 / IS7088D150 | IS7599X90 | IS505X | IS280 |
| Installation | Island | Island | Island | Island | Island |
| Air Extraction | Atmosphere or Recirculate | Atmosphere or Recirculate | Atmosphere or Recirculate | Atmosphere or Recirculate | Atmosphere or Recirculate |
| Speeds | 12 | 4 | 10 | 4 | 4 |
| Noise Rating | 23-65dBA | 38-58dBA | 23-65dBA | 36-54dBA | 42-62dBA |
| Gross Airflow | 1300 | 975 ea | 1300 | 930 | 1170 |
| Net Airflow | 1000 | 750 ea | 1000 | 715 | 900 |
| Motor | Centrifugal | 2 Centrifugal | Centrifugal | Centrifugal | Centrifugal |
| Illumination | 4 Halogen | 8 Halogen | 4 Halogen | 2 Halogen | 3 Halogen |
| FEATURES | | | | | |
| 120 Hour Charcoal Filter Check Prompt | • | • | • | • | • |
| 30 Hour Grease Filter Cleaning Prompt | • | • | • | • | • |
| 5 Minute Delay Stop Selection | • | • | • | • | • |
| Double Impellers | • | • | • | • | • |
| Duct Direct To Atmosphere Top | • | • | • | • | • |
| Stainless Steel Grease Filters | | | | 1 | 4 |
| Aluminium / Stainless Steel Filters | 4/3 | 6/5 | 1 | | |
| LED Window | • | • | • | | • |
| Automatic Sensing Control (ASC) | | • | | | |
| Energy Noise Capacity (ENC) | • | | • | | |
| ACCESSORIES | | | | | |
| Charcoal Filter | ○ | ○ | ○ | ○ | ○ |
| SAFETY | | | | | |
| Thermal Overload Protection | • | • | • | • | • |
| Fire Retardant Hardened Metal | • | • | • | • | • |

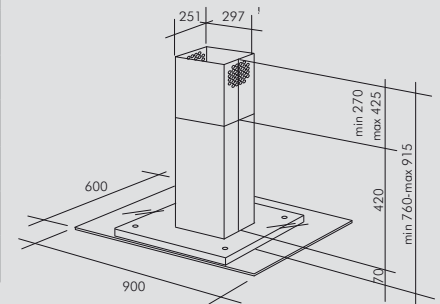
○ = Optional



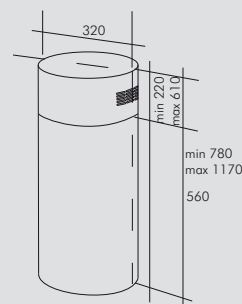
IS7099X120
IS7099X90



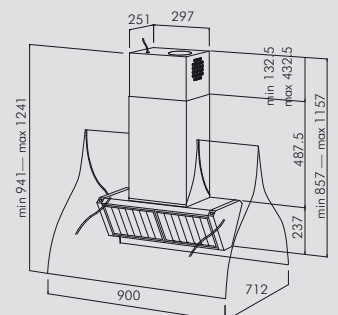
IS7088D180
IS7088D150



IS7599X90



IS505X



Wallmount Rangehoods

K7088D180 / K7088D150 180cm / 150cm Auto Sense Control Wallmount Rangehood

This ingenious wallmount rangehood automatically turns on when it detects vapour and is equipped with four speeds, aluminium/stainless-steel filters, all of which are removable and washable, an LED window, controls for each side, great safety features and halogen lights. It will even tell you when it's time to check your filters.
H1240mm x W1800mm / 1500mm x D500mm



K7099X120 / K7099X90 / K7099X70 120cm / 90cm / 70cm Manual Control Wallmount Rangehood 6-speed

This exceptional 6-speed rangehood comes in a range of sizes to suit any space.
H1240mm x W1200mm / 900mm / 700mm x D500mm



K181X90 / K181X70 / K181X60 90cm / 70cm / 60cm Manual Control Wallmount Rangehood

Simple, effective, stylish – this stunning wallmount rangehood is purpose-built to make life easier.
H1190mm x W900mm / 700mm / 600mm x D496mm



K9288 90cm Wallmount Rangehood with Retractable Glass Visor

A sleek and stylish design with a subtle crystal glass retractable visor. This simple rangehood boasts lower energy consumption, lower noise levels and greater air uptake capacity.
H1065mm x W900mm x D480mm



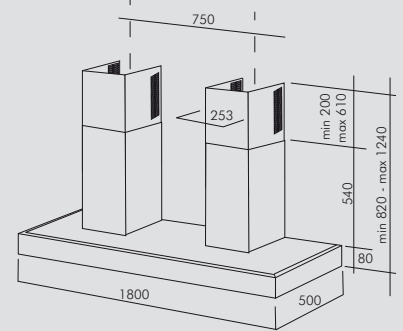
K181V90 90cm Wallmount Rangehood with Black Glass Fascia

The stand-out K181V90 with its black glass fascia, has a powerful air uptake of up to 590 cubic metres per hour. Perfect for vigorous styles of cooking such as stir frying, griddle cooking and boiling.
H1190mm x W900mm x D496mm

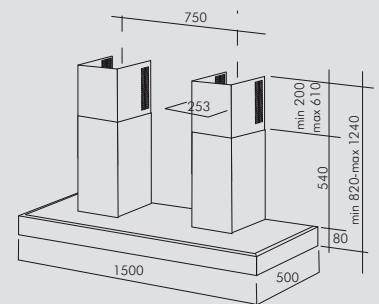
Features

| | WALLMOUNT RANGEHOODS | | | |
|---------------------------------------|---------------------------|---------------------------------|---------------------------------------|---------------------------|
| | K7088D180 / K7088D150 | K7099X120 / K7099X90 / K7099X70 | K181X90 / K181X70 / K181X60 / K181V90 | K9288 |
| Installation | Wallmount | Wallmount | Wallmount | Wallmount |
| Air Extraction | Atmosphere or recirculate | Atmosphere or recirculate | Atmosphere or recirculate | Atmosphere or recirculate |
| Speeds | 4 | 6 | 3 | 3 |
| Noise Rating | 38-58dBA | 23-65dBA | 29-50dBA | 23-65dBA |
| Gross Airflow | 975 ea | 1300 ea | 767 | 1300 |
| Net Airflow | 750 ea | 1000 ea | 590 | 1000 |
| Motor | Centrifugal | Centrifugal | Centrifugal | Centrifugal |
| Illumination | 4 Halogen | 2 Halogen | 2 Halogen | 2 Halogen |
| FEATURES | | | | |
| 120 Hour Charcoal Filter Check Prompt | • | • | | • |
| 30 Hour Grease Filter Cleaning Prompt | • | • | | • |
| 5 Minute Delay Stop Selection | • | • | | • |
| Double Impellers | • | • | • | • |
| Duct Direct To Atmosphere Top | 2 | • | • | • |
| Aluminium Grease Filters | | | 3/2/2 | |
| Aluminium / Stainless Steel Filters | 6/5 | 4/3 | | 3 |
| LED Window | • | | | |
| Automatic Sensing Control (ASC) | • | | | |
| Energy Noise Capacity (ENC) | | • | | • |
| ACCESSORIES | | | | |
| Charcoal Filter | ○ | ○ | ○ | ○ |
| SAFETY | | | | |
| Thermal Overload Protection | • | • | • | • |
| Fire Retardant Hardened Metal | • | • | • | • |

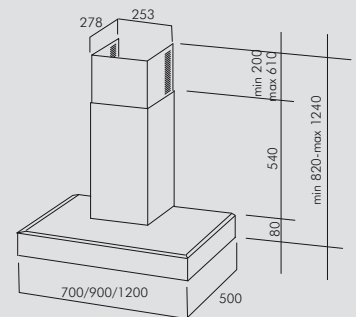
S = Standard ○ = Optional



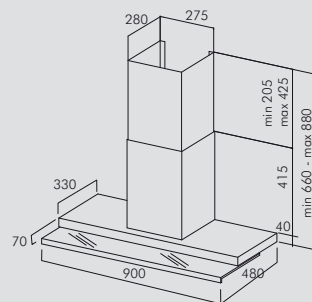
K7088D180



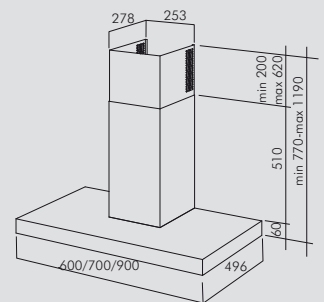
K7088D150



K7099X120
K7099X90
K7099X70



K9288



K181X90
K181X70
K181X60
K181V90

Wallmount Rangehoods



K9998FPX

90cm Manual Control Wallmount Rangehood

A timeless interpretation of the wallmount rangehood, the K9998 is distinguished by a large, hinged, downward-raked, stainless-steel surface that very quietly sends cooking vapours, at high speed, to the peripheral channels. Removable and washable grease filters sit behind a practical and neat stainless-steel panel. The rangehood also offers atmosphere or recirculated air extraction, four speeds and halogen illumination and will prompt you when the charcoal and grease filters need to be checked.

H1325mm x W900mm x D450mm



K28X90

90cm Manual Control Wallmount Rangehood

Function and form – the K28X90 is a no-nonsense, three-speed rangehood that looks great in any space.

H1140mm x W900mm x D500mm



K39

90cm Manual Control Wallmount Rangehood

The streamlined K39 offers three speeds. Includes a convenient utensil rail.

H1298mm (including utensil rail) x W900mm x D500mm



K24X60

60cm Wallmounted Canopy Rangehood with Telescopic Chimney

This flexible rangehood has been designed with the higher ceiling in mind. It's telescopic chimney can be fitted to various ceiling heights whilst still maintaining powerful air extraction from the kitchen.

H1140mm x W600mm x D500mm



K24X90

60cm Wallmounted Canopy Rangehood with Telescopic Chimney

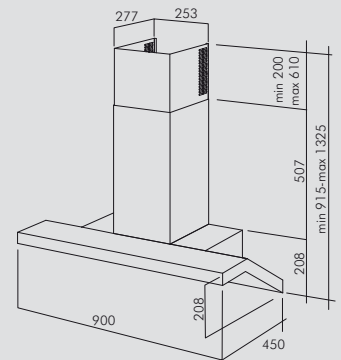
Subtle with flexible installation in mind, the K24X90 will fit any ceiling height and is ideal for wall mounting above a cooker. Low maintenance and powerful air uptake this rangehood will impress.

H1140mm x W900mm x D500mm

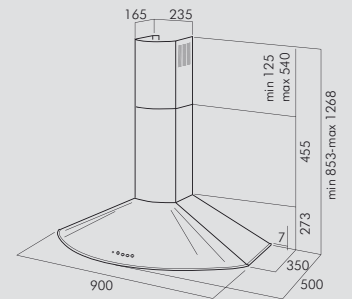
Features

| | WALLMOUNT RANGEHOODS | | | |
|---------------------------------------|---------------------------|---------------------------|---------------------------|---------------------------|
| | K9998FPX | K28X90 | K39 | K24X60 / K24X90 |
| Installation | Wallmount | Wallmount | Wallmount | Wallmount |
| Air Extraction | Atmosphere or Recirculate | Atmosphere or Recirculate | Atmosphere or Recirculate | Atmosphere or recirculate |
| Speeds | 4 | 3 | 3 | 3 |
| Noise Rating | 40-56dBA | 44-60dBA | 39-64dBA | 44-60dBA |
| Gross Airflow | 910 | 1036 | 975 | 683 |
| Net Airflow | 700 | 797 | 750 | 510 |
| Motor | Centrifugal | Centrifugal | Centrifugal | Centrifugal |
| Illumination | 2 Halogen | 2 Halogen | 2 Halogen | 2 Incandescent |
| FEATURES | | | | |
| 120 Hour Charcoal Filter Check Prompt | • | | | |
| 30 Hour Grease Filter Cleaning Prompt | • | | | |
| 5 Minute Delay Stop Selection | • | | | |
| Double Impellers | • | • | • | • |
| Duct Direct To Atmosphere Top | • | • | • | • |
| Stainless Steel Grease Filters | | | | |
| Aluminium Grease Filters | | 3 | | 3/2 |
| Aluminium / Stainless Steel Filters | 2 | | 3 | |
| ACCESSORIES | | | | |
| Charcoal Filter | ○ | ○ | ○ | ○ |
| Chimney Extension | | ○ | ○ | ○ |
| SAFETY | | | | |
| Thermal Overload Protection | • | • | • | • |
| Fire Retardant Hardened Metal | • | • | • | • |

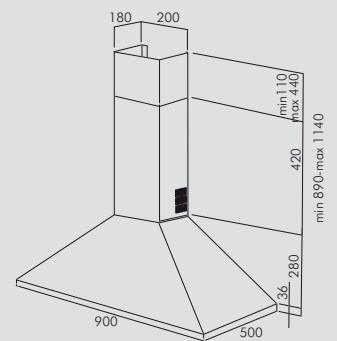
○ = Optional



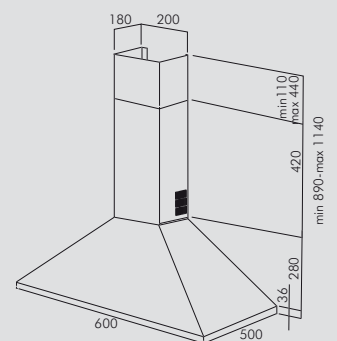
K9998FPX



K39

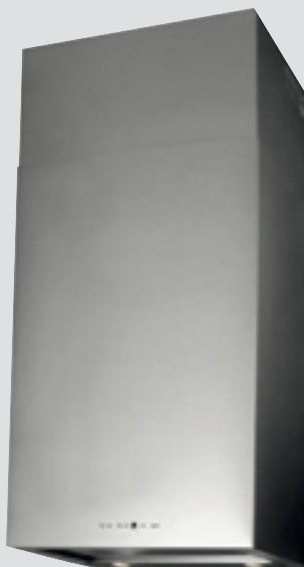


K28X90/
K24X90



K24X60

Wallmount Rangehoods



K508L

60cm Manual Control Wallmount Rangehood

The striking dimensions of the K508L make it a visually compelling addition to any kitchen space. It offers four speeds, filter-check prompts, a five minute delay-stop selection to ensure the air in the room is fresh, double impellers for highly efficient air extraction. The rangehood can be ducted direct to the atmosphere to ensure the maximum removal of vapour and odours, or recirculated when ducting to the atmosphere is not an option.

H1360mm x W600mm x D420mm



KASC505

40cm Auto Sense Control Wallmount Rangehood

The KASC505 offers a stunning cylindrical illusion in a wallmount application. Despite its slim design, it provides highly efficient air extraction and automatically senses vapours and odours. With delay stop and cleaning prompts, this compact unit proves that great things really do come in small packages.

H890mm x W450mm x Diameter 400mm



K7588ASC

90cm Auto Sense Control Wallmount Rangehood

With its combination of stainless steel and glass, the four-speed K7588ASC looks sensational. It automatically senses vapour.

H1235mm x W900mm x D500mm



K9399R

90cm Wallmount Rangehood with Brown Crystal Glass

The K9399R is suitable for varied installations and make fitting a rangehood into a difficult area easier. The brown glass crystal gives this model a sleek designer feel.

H1629mm x W900mm x D450mm



K1288ASC

90cm Wallmount Rangehood with White Glass, ASC Fitted

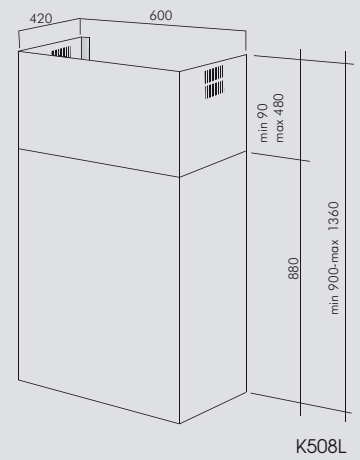
This stylishly crafted rangehood is fitted with an Automatic Sensing Control, which when triggered, senses any vapours, smoke and odours.

H1465mm x W900mm x D420mm

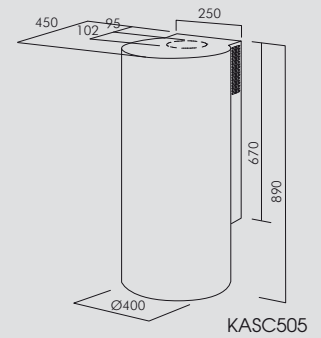
Features

| | WALLMOUNT RANGEHOODS | | | | |
|---------------------------------------|---------------------------|---------------------------|---------------------------|---------------------------|---------------------------|
| | K508L | KASC505 | K7588ASC | K9399R | K1288ASC |
| Installation | Wallmount | Wallmount | Wallmount | Wallmount | Wallmount |
| Air Extraction | Atmosphere or recirculate | Atmosphere or recirculate | Atmosphere or recirculate | Atmosphere or recirculate | Atmosphere or recirculate |
| Speeds | 4 | 4 | 4 | 4 | 4 |
| Noise Rating | 38-58dBA | 36-54dBA | 40-59dBA | 40-59dBA | 40-59dBA |
| Gross Airflow | 949 | 962 | 975 | 975 | 975 |
| Net Airflow | 730 | 715 | 750 | 750 | 750 |
| Motor | Centrifugal | Centrifugal | Centrifugal | Centrifugal | Centrifugal |
| Illumination | 2 Halogen | 2 Halogen | 2 Halogen | 2 Halogen | 2 Halogen |
| FEATURES | | | | | |
| 120 Hour Charcoal Filter Check Prompt | • | • | • | • | • |
| 30 Hour Grease Filter Cleaning Prompt | • | • | • | • | • |
| 5 Minute Delay Stop Selection | • | • | • | • | • |
| Double Impellers | • | • | • | • | • |
| Duct Direct To Atmosphere Top | • | • | • | • | • |
| Stainless Steel Grease Filters | | 1 | | | 1 |
| Aluminium / Stainless Steel Filters | 1 | | 2 | 1 | |
| LED Window | | | • | | |
| (Automatic Sensing Control (ASC)) | | • | • | | • |
| ACCESSORIES | | | | | |
| Charcoal Filter | ○ | ○ | ○ | ○ | ○ |
| SAFETY | | | | | |
| Thermal Overload Protection | • | • | • | • | • |
| Fire Retardant Hardened Metal | • | • | • | • | • |

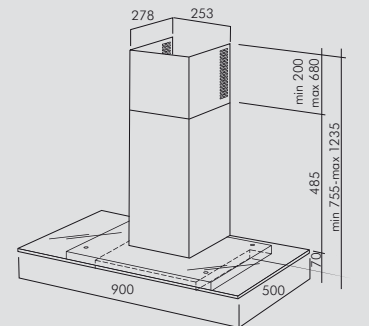
○ = Optional



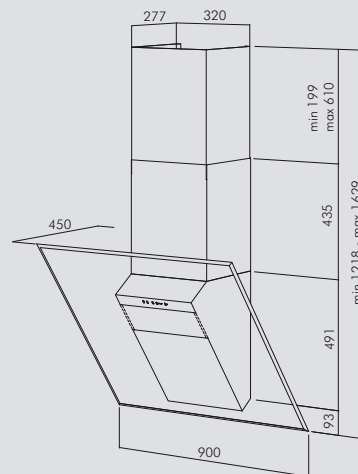
K508L



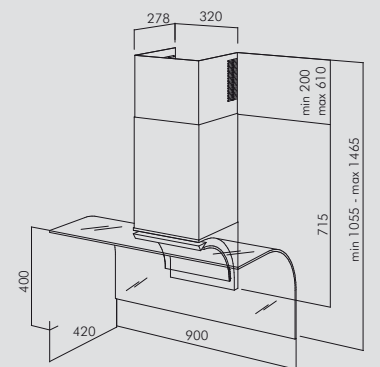
KASC505



K7588ASC



K9399R



K1288ASC

Undermount/Concealed Rangehoods



CK2000-76

76cm Manual Control Undermount Rangehood

This fully concealed rangehood is extremely powerful and quiet. It can be cleverly installed into overhead cabinetry or a canopy and is perfect over wider cooktops and freestanding cookers up to 90cm wide. The unit will move an incredible 1600 cubic metres of air per hour, so you benefit from a cleaner, fresher kitchen environment. It features a five-minute delay stop function to ensure all odours are removed, four speeds and twin halogen light selections for greater visibility. The CK200076 is also equipped with an automatic prompt that signals when it's time to check and wash the grease filters.

H357mm x W760mm x D400mm

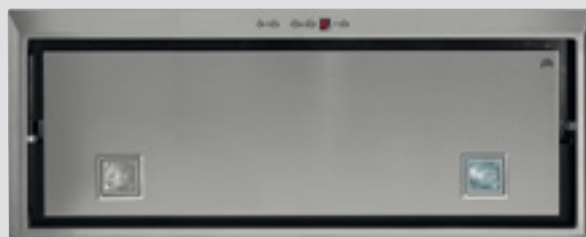


CI2000-76

76cm Manual Control Undermount Rangehood

Equipped with all the benefits of the wall-mounted CK200076, this rangehood is specifically designed for islands. Remarkably powerful and quiet, it will complement almost any island canopy.

H357mm x W760mm x D460mm



PASC7801FPX / PASC5801FPX

72cm / 54cm Auto Sense Control Undermount Rangehood

These striking and easy-to-clean rangehoods offer a satin stainless steel panel, surrounded by a channel through which rising air is drawn at very high speed. Automatic Sensing Control detects vapours, heat and even leaking gas and automatically draws them away from the cooking area. An electronic display reminds users to inspect filters after 30 hours of use.

H284mm x W718mm / 540mm x D284mm



P70/2 / P52/2

70cm / 52cm Manual Control Undermount Rangehood

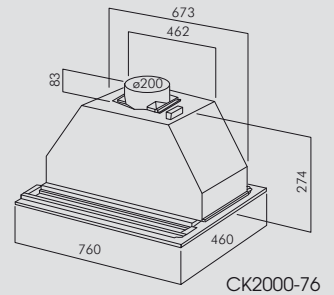
A stylish rangehood offering three slider speeds, twin halogen lighting and easy-to-clean grease filters.

H201mm x W700mm / 520mm x D285mm

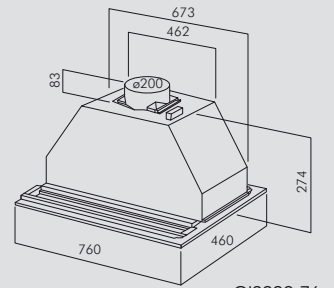
Features

| | CONCEALED RANGEHOODS | | | |
|---------------------------------------|----------------------|------------------|---------------------------|---------------------------|
| | CK2000-76 | CI2000-76 | PASC7801FPX / PASC5801FPX | P70/2 / P52/2 |
| Installation | Concealed | Concealed/Island | Concealed | Concealed |
| Air Extraction | Atmosphere | Atmosphere | Atmosphere or recirculate | Atmosphere or recirculate |
| Speeds | 4 | 4 | 4 | 3 |
| Noise Rating | 44-59dBA | 44-59dBA | 39-57dBA | 43-55dBA |
| Gross Airflow | 2080 | 2080 | 910 | 430 |
| Net Airflow | 1600 | 1600 | 700 | 380 |
| Motor | 2 Centrifugal | 2 Centrifugal | 2 Centrifugal | 2 Centrifugal |
| Illumination | 2 Halogen | 4 Halogen | 2 Halogen | 2 Halogen |
| FEATURES | | | | |
| 120 Hour Charcoal Filter Check Prompt | • | • | • | |
| 30 Hour Grease Filter Cleaning Prompt | • | • | • | |
| 5 Minute Delay Stop Selection | • | • | • | |
| Double Impellers | 2 | 2 | • | • |
| Duct Direct To Atmosphere Top | • | • | • | • |
| Stainless Steel Peripheral Panel | | | • | |
| Aluminium / Stainless Steel Filters | • | • | • | 2/1 |
| LED Window | • | • | • | |
| Automatic Sensing Control (ASC) | | | 1/1 | |
| Energy Noise Capacity (ENC) | 3 | 3 | | |
| ACCESSORIES | | | | |
| Charcoal Filter | | | ○ | ○ |
| SAFETY | | | | |
| Thermal Overload Protection | • | • | • | • |
| Fire Retardant Hardened Metal | • | • | • | • |

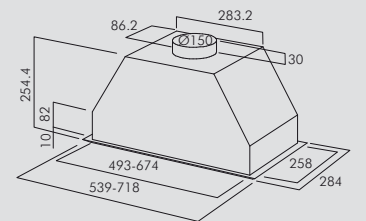
○ = Optional



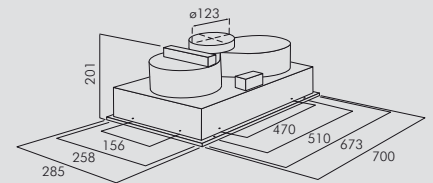
CK2000-76



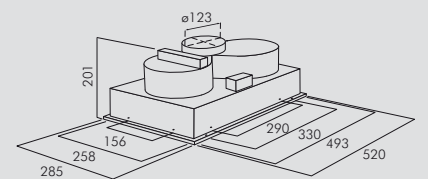
CI2000-76



PASC7801FPX
PASC5801FPX



P70/2



P52/2

Undermount/Telescopic Rangehoods



SA550-1X90 / SA550-1X60 90cm / 60cm Deluxe Slim Jim Telescopic Rangehood

These deluxe Slim Jim rangehoods offer extremely powerful air extraction (over 1000 cubic metres per hour) and unique electronic strip controls. They feature a five-minute delay stop function to ensure all odours are removed and will even remind you when it's time to clean the filters. The discreet design lends itself to any overhead cabinet installation.

H330mm x W900mm / 600mm x D320mm (visor closed)



SA480T60S/X / SA480T90S/X 90cm / 60cm Telescopic Rangehood

Both models offer a removable stainless steel fascia rail which can be replaced with the cabinet strip of your choice, for greater kitchen integration. They also feature incandescent lights and pre-settable speed and lighting modes.

H170mm x W900mm / 600mm x D300mm (visor closed)



SA520TX60 60cm Telescopic Rangehood

If ducting directly to the atmosphere is not possible, this compact, 170mm-high rangehood is the solution. Behind an 80mm-high stainless steel fascia rail is a cleverly concealed vent through which extracted and filtered air can be redirected back into the kitchen. The fascia rail can be replaced with another fascia to suit any kitchen design.

H170mm x W600mm x D300mm (visor closed)



SA490TX60 60cm Telescopic Rangehood

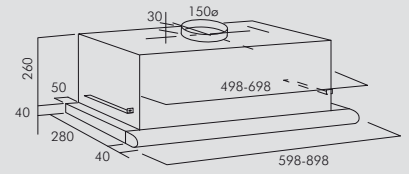
At just 170mm high, this rangehood features twin halogen lights, three extraction speeds, pre-settable speed and lighting modes and a removable fascia rail.

H170mm x W598mm x D300mm (visor closed)

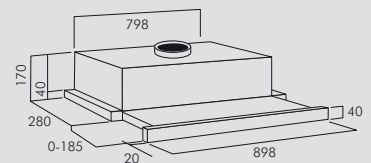
Features

| | TELESCOPIC RANGEHOODS | | | |
|---------------------------------------|---------------------------|---------------------------|-------------|---------------------------|
| | SA550-1X90 / SA550-1X60 | SA480T60S/X / SA480T90S/X | SA520TX60 | SA490TX60 |
| Installation | Retractable | Retractable | Retractable | Retractable |
| Air Extraction | Atmosphere or recirculate | Atmosphere or recirculate | Recirculate | Atmosphere or recirculate |
| Speeds | 4 | 3 | 3 | 3 |
| Noise Rating | 37-58dBA | 48-58dBA | 37-53dBA | 48-58dBA |
| Gross Airflow | 1040 | 370 | 273 | 370 |
| Net Airflow | 800 | 280 | 210 | 280 |
| Motor | Centrifugal | | | |
| Illumination | Halogen | Incandescent | Halogen | Halogen |
| FEATURES | | | | |
| 120 Hour Charcoal Filter Check Prompt | • | | | |
| 30 Hour Grease Filter Cleaning Prompt | • | | | |
| 5 Minute Delay Stop Selection | • | | | |
| Double Impellers | • | • | • | • |
| Duct Direct To Atmosphere Top | • | • | ○ | • |
| Stainless Steel Grease Filters | • | | | |
| Aluminium Grease Filters | | | 1 | 1 |
| Aluminium / Stainless Steel Filters | 4/2 | 2/1 | | |
| ACCESSORIES | | | | |
| Charcoal Filter | ○ | ○ | S | ○ |
| SAFETY | | | | |
| Thermal Overload Protection | • | • | • | • |
| Fire Retardant Hardened Metal | • | • | • | • |

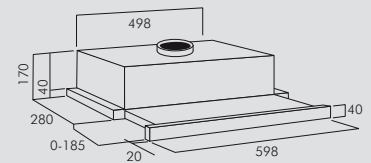
○ = Optional



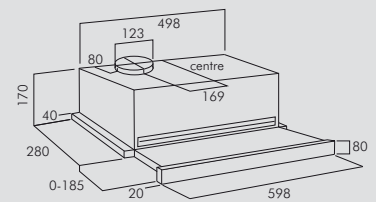
SA550-1X90
SA550-1X60



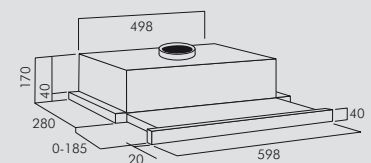
SA480T90S/X



SA480T60S/X



SA520TX60



SA490TX60