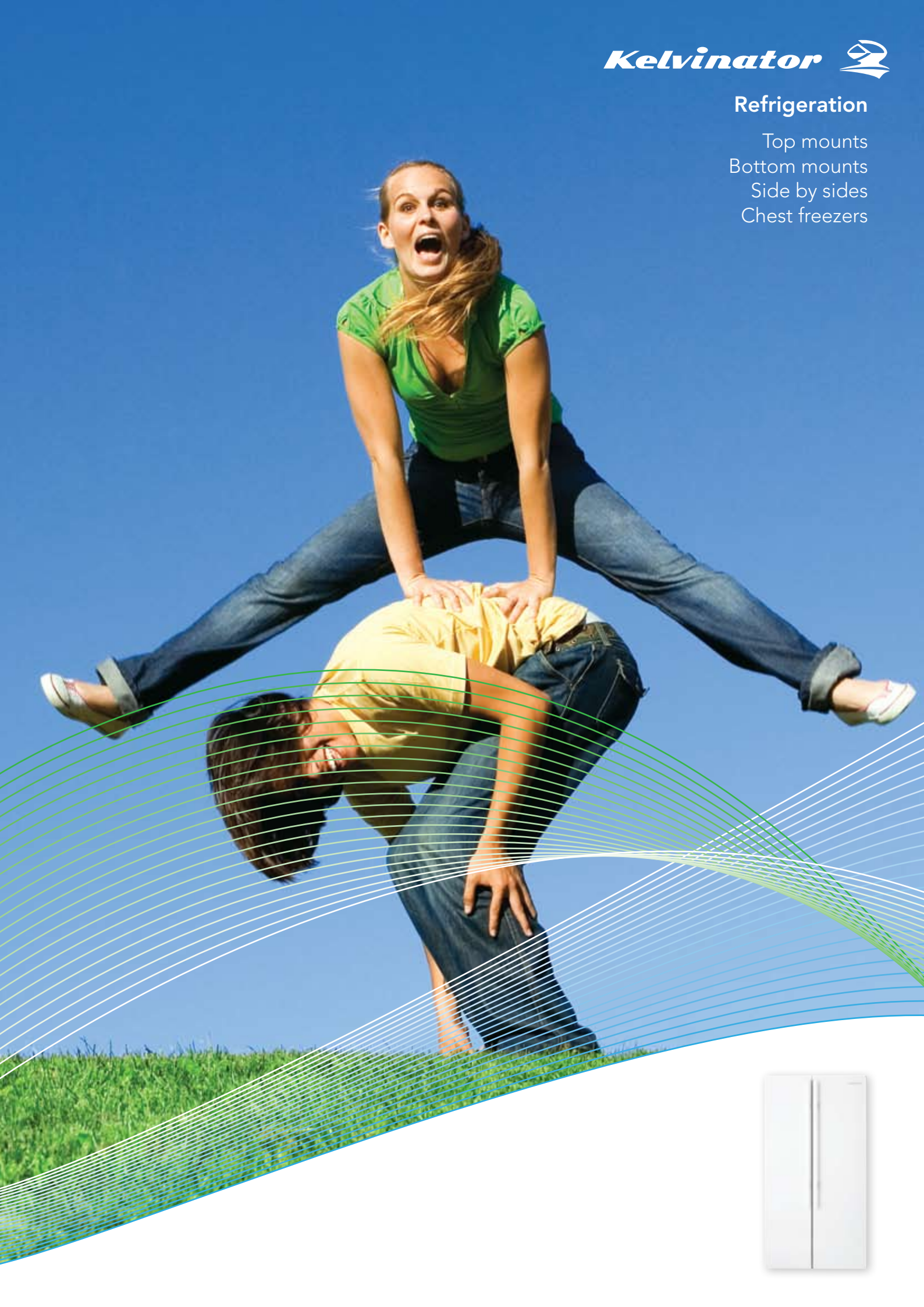


Kelvinator 

Refrigeration

Top mounts
Bottom mounts
Side by sides
Chest freezers



Australians love a Kelvinator

Kelvinator has kept its promise of delivering on performance and reliability to Australians for over 80 years.

Quality you can trust

Kelvinator has built upon its trusted heritage to produce modern, easy-to-use fridges and freezers, perfect for Australian conditions. You can relax knowing Kelvinator has a refrigerator that's perfect for your needs and whichever one you choose, it will be with you for years to come.

Kelvinator fridges come in two fingerprint-resistant finishes. Choose from polar white or metro silver, which gives you the stainless steel look at an affordable price.

Top mount fridges

The classic fridge below freezer style maximises your fridge storage and has an easy to access freezer for everyday use.

Bottom mount fridges

Ergonomic design has the fridge at eye level allowing convenient access to everyday items while the large freezer underneath stores all your frozen foods.

Compact side by side fridge

A generous 610L storage capacity in a compact design to fit into a popular 900mm wide fridge cavity. With flexible interiors and an ample freezer, this family-sized fridge will cater for all your food storage needs.




Chest freezers

Top opening freezers are perfect if you like to buy food in bulk and need to store it for long periods, they are also ideal for large or oversized items.



Choosing the right refrigerator

The right type of refrigerator is the one which best suits your needs. Our checklist will help you choose the one that's right for you.

	minimum recommended capacity				door finish		freezer position			door opening preference [^]		page no.
	280-399L (1 to 2 people)	400-499L (2 to 4 people)	500-599L (4 to 6 people)	600L+ (6 or more people)	metro silver	polar white	side	bottom	top	opens to the left (has -L suffix)	opens to the right (has -R suffix)	
compact side by side 				✓	✓	✓	✓					4-5
top mount 	✓	✓	✓		✓	✓			✓	✓	✓	6-7
bottom mount 	✓	✓	✓		✓	✓		✓		✓	✓	8-9

[^] For top mounts and bottom mounts the direction that the doors open must be specified at purchase (they cannot be reversed)

Kelvinator recommendations:

1. When buying a fridge to fit a cavity or exact space, make certain you allow for air space to ensure your appliance operates at optimal performance (refer to page 11 for more details).
2. Make sure your fridge's interior are easy and quick to clean, spill safe shelves are great way to contain accidents and being glass they just wipe clean. A cloth with warm soapy water is much more convenient than special chemicals or cleaning agents.
3. Make sure you have the right sized fridge for your needs (see above table). Rather than having a new fridge for daily use and older 'spare' fridge that is always on and drains power, it may pay to buy a bigger fridge to replace both.

Side by side fridges

A generous 610L storage capacity in a compact design to fit into a popular 900mm wide by 600mm deep fridge cavity. With flexible interiors and an ample freezer, this family-sized fridge will cater for all your food storage needs.



- 1 Separate temperature controls for fridge and freezer
- 2 Spill safe glass shelves
- 3 Full width dairy compartment
- 4 Humidity controlled crisper
- 5 Adjustable door bins
- 6 Freezer basket
- 7 Easy clean surfaces*

*Simply wipe over interior and exterior with a warm soapy cloth, no chemicals needed.



Side by side features†



model specifications	KSM6100MB	KSM6100WB
total gross capacity (litres)	610	610
food compartment capacity (litres)	357	357
freezer capacity (litres)	249	249
dimensions (h x w x d) mm	see page 11	see page 11
recommended clearances	see page 11	see page 11
exterior finishes available	metro silver	polar white
frost free system	✓	✓
separate temperature controls for fridge & freezer	✓	✓
refrigerator features		
adjustable spill safe glass shelves	4	4
full width deli compartment	✓	✓
humidity controlled crisper	✓	✓
dairy compartment with lid	✓	✓
full width deep door bins	3	3
full width shallow door bins	1	1
freezer features		
adjustable glass shelves	4	4
full width wire baskets	1	1
adjustable door bins	4	4
other features		
adjustable front rollers	✓	✓
rear rollers	✓	✓
energy star rating	4	4

† Refer to product information details on page 11. For further information on our Kelvinator refrigerator and freezer range, or to obtain dimension and installation requirements, please call 1300 363 640 or visit www.kelvinator.com.au

Top mount fridges

The classic fridge below freezer style maximises your fridge storage and has an easy to access freezer for everyday use.



- 1 Separate temperature controls for fridge and freezer
- 2 Spill safe glass shelves
- 3 Two dairy compartments
- 4 Full width clear freezer door bins
- 5 Two adjustable half width door bins
- 6 Adjustable full width door bins
- 7 Humidity controlled crispers
- 8 Easy clean surfaces*

*Simply wipe over interior and exterior with a warm soapy cloth, no chemicals needed.



Top mount features†



models	KTM5200MB KTM5200WB	KTM4400WB	KTM4200WB	KTM3900MB KTM3900WB	KTM3600WB
total gross capacity (litres)	520	440	420	390	360
food compartment capacity (litres)	396	339	313	302	277
freezer capacity (litres)	122	103	103	91	91
dimensions (h x w x d) mm	see page 11	see page 11	see page 11	see page 11	see page 11
recommended clearances	see page 11	see page 11	see page 11	see page 11	see page 11
exterior finishes available	metro silver polar white	polar white	polar white	metro silver polar white	polar white
frost free system	✓	✓	✓	✓	✓
separate temperature controls for fridge & freezer	✓	✓	✓	✓	✓
refrigerator features					
spill safe glass shelves	3	3	3	3	3
full width deli compartment	✓	✓	✓	✓	✓
humidity controlled crisper	2 x half width	full width	full width	full width	full width
dairy compartment with lid	2 x half width	2 x half width	2 x half width	2 x half width	2 x half width
half width door bins	2	2	2	2	2
full width deep door bins	1	1	1	1	1
full width shallow door bins	1	1	1	1	1
freezer features					
adjustable wire shelves	1	1	1	1	1
full width freezer door bins	2	2	2	2	2
other features					
door opening	L/R	L/R	L/R	L/R	L/R
adjustable front rollers	✓	✓	✓	✓	✓
rear rollers	✓	✓	✓	✓	✓
energy star rating	4.5	4	4	4	4

° Before purchase, please ask your retailer for more information on door opening restrictions and other installation requirements when using the integration kit.
A copy of the integration kit can be obtained at www.kelvinator.com.au or by calling 1300 363 640.

† Refer to product information details on page 11. For further information on our Kelvinator refrigerator and freezer range, or to obtain dimension and installation requirements, please call 1300 363 640 or visit www.kelvinator.com.au

Bottom mount fridges

Ergonomic design has the fridge at eye level allowing convenient access to everyday items while the large freezer underneath stores all your frozen foods.



- 1 Separate temperature controls for fridge and freezer
- 2 Spill safe glass shelves
- 3 Two dairy compartments
- 4 Humidity controlled crispers
- 5 Two adjustable half width door bins
- 6 Adjustable full width door bins
- 7 Pizza shelf
- 8 Full width wire freezer baskets
- 9 Easy clean surfaces*

*Simply wipe over interior and exterior with a warm soapy cloth, no chemicals needed.



Bottom mount features†



models	KBM5100MB KBM5100WB	KBM4300WB	KBM3800MB KBM3800WB
total gross capacity (litres)	510	430	380
food compartment capacity (litres)	349	300	267
freezer capacity (litres)	156	131	114
dimensions (h x w x d) mm	see page 11	see page 11	see page 11
recommended clearances	see page 11	see page 11	see page 11
exterior finishes available	metro silver polar white	polar white	metro silver polar white
frost free system	✓	✓	✓
separate temperature controls for fridge & freezer	✓	✓	✓
refrigerator features			
spill safe glass shelves	2	2	2
full width deli compartment	✓	✓	✓
humidity controlled crisper	2 x half width	full width	full width
dairy compartment with lid	2 x half width	2 x half width	2 x half width
half width door bins	2	2	2
full width deep door bins	1	1	1
full width shallow door bins	1	1	1
freezer features			
adjustable wire shelves	1	1	1
full width wire baskets	2	2	2
other features			
door opening	L/R	L/R	L/R
adjustable front rollers	✓	✓	✓
rear rollers	✓	✓	✓
energy star rating	4	3.5	3.5

° Before purchase, please ask your retailer for more information on door opening restrictions and other installation requirements when using the integration kit.
A copy of the integration kit can be obtained at www.kelvinator.com.au or by calling 1300 363 640.

† Refer to product information details on page 11. For further information on our Kelvinator refrigerator and freezer range, or to obtain dimension and installation requirements, please call 1300 363 640 or visit www.kelvinator.com.au

Chest freezers

Top opening freezers are perfect if you like to buy food in bulk and need to store it for long periods, they are also ideal for large or oversized items.



chest freezer features†

models	KCM2100WC	KCM1500WC
gross capacity (litres)	210	150
dimensions (h x w x d) mm	see page 11	see page 11
recommended clearances† (side x top x back) mm	30 x 40 x 600	30 x 40 x 600
exterior finishes	polar white	polar white
freezer features		
sliding removable baskets	✓	✓
spring loaded lid	✓	✓
easy clean manual defrost	✓	✓
external temperature control	✓	✓
other features		
energy star rating	3	3
refrigerant	R600a	R600a

† Refer to product information details on page 11. For further information on our Kelvinator refrigerator and freezer range, or to obtain dimension and installation requirements, please call 1300 363 640 or visit www.kelvinator.com.au

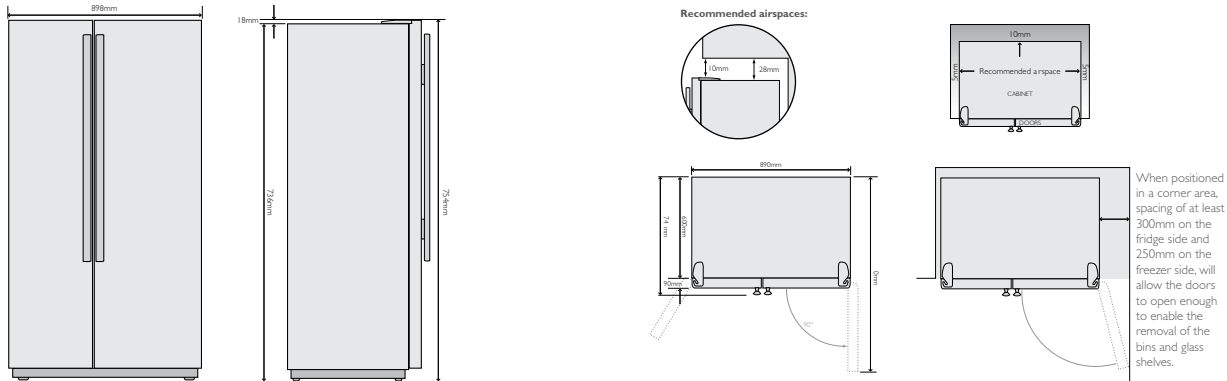


- ★ 1 Spring loaded lid
- ★ 2 Sliding basket
- ★ 3 Defrost drain system
- ★ 4 Easy clean surfaces*

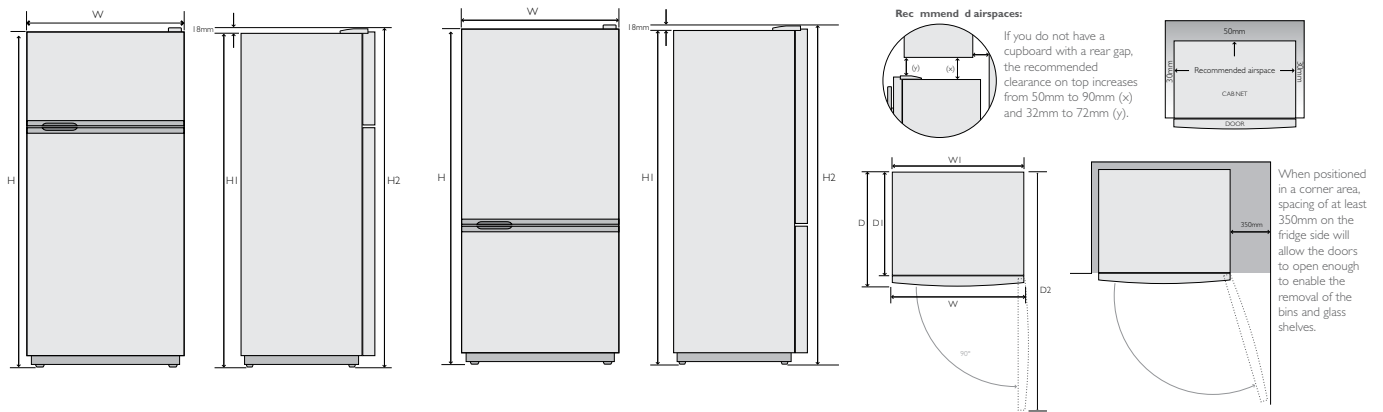
*Simply wipe over interior and exterior with a warm soapy cloth, no chemicals needed.

Dimensions and installation guide

Compact side by sides



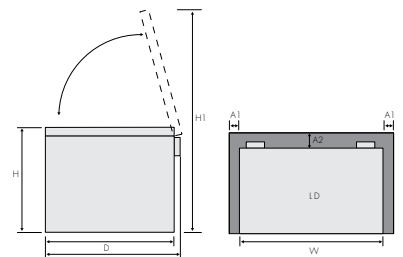
Top mounts and bottom mounts



model	max. door height (H)	cabinet height (H1)	total height (H2)	door width (W)	cabinet width (W1)	total depth (D)	cabinet depth (D1)	depth door open (D2)
KTM5200	1714	1702	1720	803	790	703	612	1450
KTM4400	1714	1702	1720	703	690	703	612	1350
KTM4200	1634	1622	1640	703	690	709	612	1350
KTM3900	1714	1702	1720	703	690	641	550	1288
KTM3600	1634	1622	1640	703	690	641	550	1288
KBM5100	1714	1702	1720	803	790	703	612	1450
KBM4300	1714	1702	1720	703	690	703	612	1350
KBM3800	1714	1702	1720	703	690	641	550	1288

Chest freezers

model	height (H)	height with lid open (H1)	width (W)	depth (D)	depth including hinge (D1)	recommended airspace sides (A1)	recommended airspace back (A2)
KCM2100WC	900	1500	715	617	657	30	40
KCM1500WC	900	1500	557	617	657	30	40



Top Service encompasses the after sales service provided by The Electrolux Group to consumers including delivery, home service and spare parts.

Warranty

Electrolux Home Products warrants that for domestic application the Electrolux front load washing machines featured in this brochure are free from defects in materials and workmanship for 2 years from the date of first purchase (3 months for commercial applications), subject to the conditions set out in the warranty card accompanying the product when purchased.

Product information

The descriptors and illustrations in this publication apply to the specific products and models described as at the date of issue. Under our policy of continuous product development, product specifications may change without notice. Prospective purchasers should therefore check with their retailer to ensure this publication correctly describes the products that are being offered. This information is provided for general reference purposes only and is on the understanding that Electrolux Home Products Pty Ltd will not be liable for any loss, liability or damage of whatever kind arising as a result of reliance on such information. Colours of products illustrated are as close as printing limitations allow.



Australia's largest online appliance retailer



Electrolux Home Products Australia

telephone: 1300 363 640

fax: 1800 350 067

email: customercare@electrolux.com.au

web: www.kelvinator.com.au

**Kelvinator. We are part of the Electrolux family.
Share more of our thinking at www.electrolux.com.au**



© Copyright 2009 Electrolux Home Products Pty Ltd
Print code: KFRI_Nov09



Printed on Monza Gloss Recycled Art stock containing
55% recycled material & 45% from sustainable forests.