

IK007 integration kit installation manual

refrigeration

STM3900, STM4200,
SBM3800, SBM4300,

WTM2800, WTM3000, WTM3300, WTM3900, WTM4200, WTM4400, WTM5200,
WTE4200, WTE5200,

WBM3700, WBM3800, WBM4000, WBM4300, WBM5100,
WBE4300, WBE5100,
WRM3700, WRM4300,
WFM3000, WFM3600,

KTM3600, KTM3900, KTM4200, KTM4400, KTM5200,
KBM3800, KBM4300, KBM5100.

Congratulations

Congratulations and thank you for choosing our integration kit. Before you install the integration kit, we recommend that you read through the entire installation manual.

To avoid the risks that are always present when you install an electrical appliance, it is important that the integration kit and appliance is installed correctly. Please read the safety instructions in this installation manual as well as the appliance's user manual to carefully to avoid misuse and hazards.

We recommend that you keep this instruction booklet for future reference and pass it on to any future owners. After unpacking the integration kit please check it is not damaged. If in doubt, do not use the integration kit but contact your local Electrolux Customer Care Centre.

Contents

• General warnings	3
• Refrigerator integration kit items	4
• Cupboard dimensions	5
• Installation of 120° hinge	8
• Preparation	9
• Attaching top hinge bracket	9
• Attaching slide-housing to refrigerator doors	10
• Placing refrigerator in cupboard	12
• Refrigerator alignment	12
• Securing refrigerator in cupboard	13
• Attaching slide-bar to cupboard door	14



before you call

Please ensure you read the installation manual fully before you call for service, or a full service fee could be applicable.



environmental tip

Information on disposal for users

- Most of the packing materials are recyclable. Please dispose of those materials through your local recycling depot or by placing them in appropriate collection containers.
- If you wish to discard this product, please contact your local authorities and ask for the correct method of disposal.

General warnings

Please read the installation manual carefully and store in a handy place for later reference. Pass the installation manual on to possible new owners of the refrigerator. Please refer to the fridge user manual for warnings relating to the appliance. The symbols you will see in this booklet have these meanings:

tips and information

This symbol indicates tips and information about use of the refrigerator

environmental tip

This symbol indicates tips and information about economical and ecological use of the refrigerator

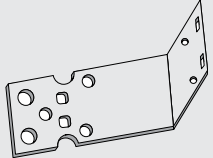
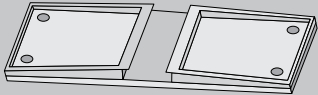
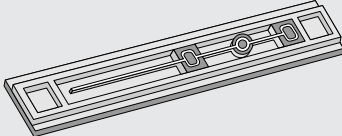
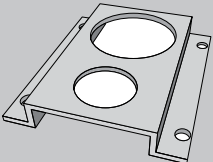

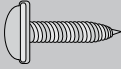
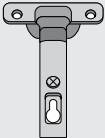
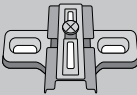

NOTE: We strongly recommend that a professional builder/cabinetmaker builds this unit into required cabinetry prior to finished installation in customer's kitchen. Electrolux can not take responsibility for any installation issues when customer retrofits this product into cabinetry. Cabinet door height built in excess of refrigerator door height will be unsupported and risk bowing.

NOTE: Please refer to your Appliance User Manual for warnings relating to the appliance.

Refrigerator integration kit items


Because this kit is common to a variety of models, you need to select the items required to suit your model. The items required for the models covered in this instruction booklet are shown below.

Those items not required on your particular model should be discarded.

item	quantity in kit	quantity required		description
		two door model	single door model	
Top Hinge Bracket PN° 1433129	1	1	1	
Slide-Housing PN° 1445132	2	2	1	
Slide-Bar PN° 1421620	2	2	1	
Location Bracket Front Footing PN° 1444993	1	1	1	
Refrigerator Screws PN° 741249	8	8	4	
Cupboard Screws PN° 1449422	12	12	8	
120° Hinge PN° 1457832	5	5 (3+2)	3	
Mounting plate for hinge PN° 1458211	5	5 (3+2)	3	
Self tapping wood screws PN° 1458212	20	20	12	

NOTE: For the single door models WRM4300, WRM3700, WFM3600 & WFM3000 an additional kit, part number 1449661 is required (see page 11 for details).

Cupboard dimensions

 tips and information

Pages 5, 6, 7 and 8 should be given to the person responsible for cupboard design and construction.

The cupboard dimensions required for each model are shown on page 6,7 & 8.

NOTE:

1. All sizes are **internal and measured in millimetres**.
2. It is important to ensure that the correct cupboard sizes are used to ensure adequate air flow around the refrigerator.
3. Cupboard hinges should be a 120° opening type. (Use hinges supplied).
4. Three hinges should be used on each cupboard door higher than 1000mm.
5. Ensure the refrigerator is not connected to a power supply whilst installation takes place.
6. Each operation should be carried out in the sequence specified in this instruction sheet.

NOTE: All sizes are **internal and in millimetres**.

Model (capacity litres)	Dim 'A' (mm) minimum	Dim 'B' (mm)	Dim 'C' (mm)	Dim 'D'* (mm)	Dim 'E' (mm)	Dim 'G' (mm)	Dim 'H' (mm)	Dim 'I'* (mm)	
2 door top freezer models									
280 litre	1640	680	700	1047	500	219	300	Please use the calculation below to measure Dimension 'I' for your specific model.	
290 litre	1640	680	700	1047	500	219	300		
300 litre	1710	680	700	1117	500	219	300		
330 litre	1810	680	700	1217	500	219	300		
360 litre	1730	680	795	1137	600	241	395		
390 litre	1810	680	795	1217	600	241	395		
420 litre	1730	740	795	1137	600	241	395		
440 litre	1810	740	795	1217	600	241	395		
520 litre	1810	740	895	1217	600	278	495		
2 door bottom freezer models									
370 litre	1660	740	745	702	600	241	395		
380 litre	1810	680	795	702	600	241	395		
400 litre	1760	740	745	702	600	241	395		
430 litre	1810	740	795	702	600	278	395		
510 litre	1810	740	895	702	600		495		
single door models									
300 litre	1810	680	700	–	500	219	300		
360 litre	1810	680	795	–	600	241	395		
370 litre	1810	680	700	–	500	219	300		
430 litre	1810	680	795	–	600	241	395		

Step 1

Measure and confirm Dimension 'A'.

Step 2

To calculate Dimension 'I' use the equation below.

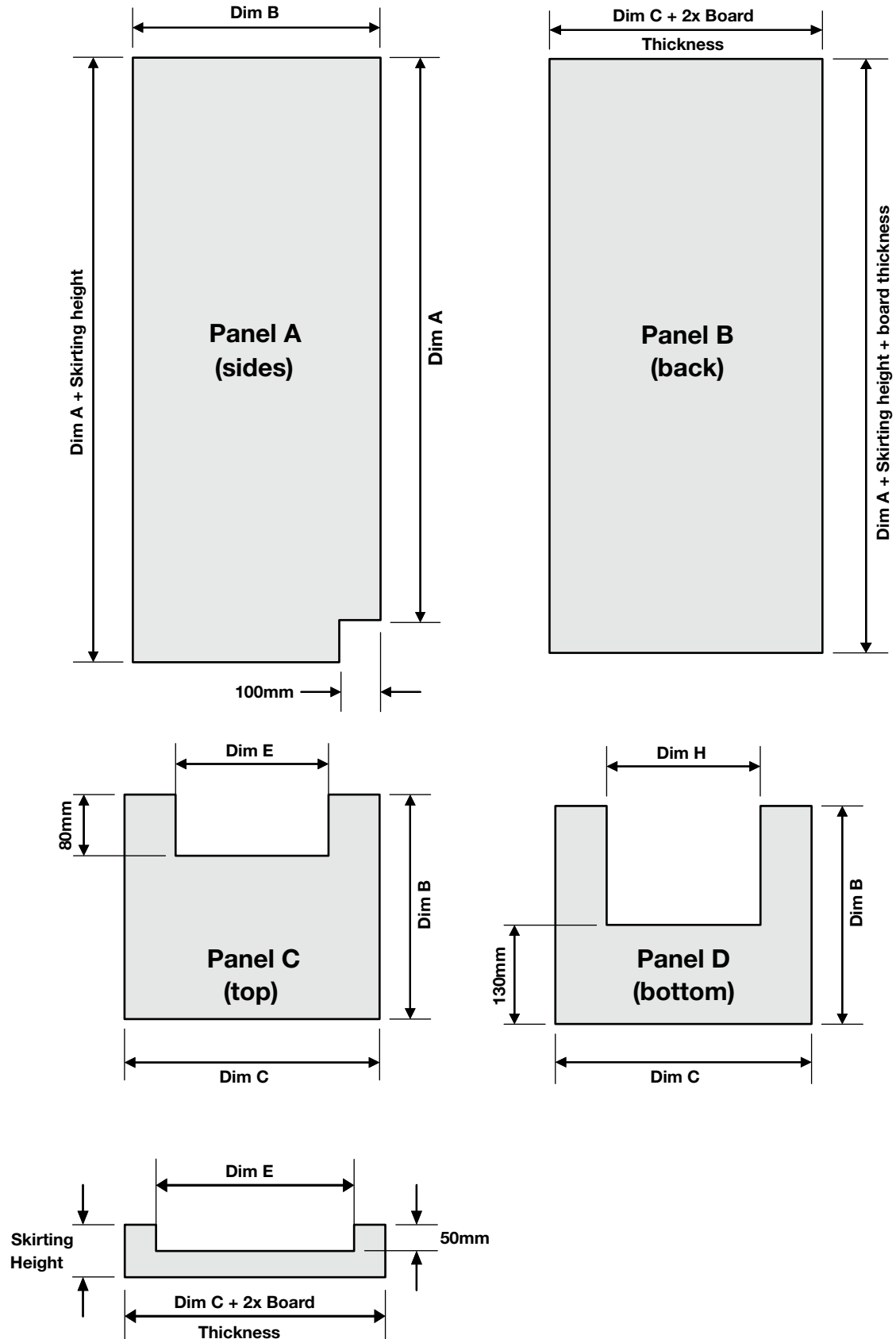
$$\text{Dim 'I'} = \text{Dim 'A'} - (\text{Dim 'D'} + 5\text{mm}) \text{ mm}$$

Step 3

*Add cabinetry thickness to Dimension 'D' and Dimension 'I' for final measurement before construction.

Cupboard dimensions

*NOTE: All sizes are **internal and measured in millimetres**.
For 'lettered' dimensions refer to the table on page 5.*

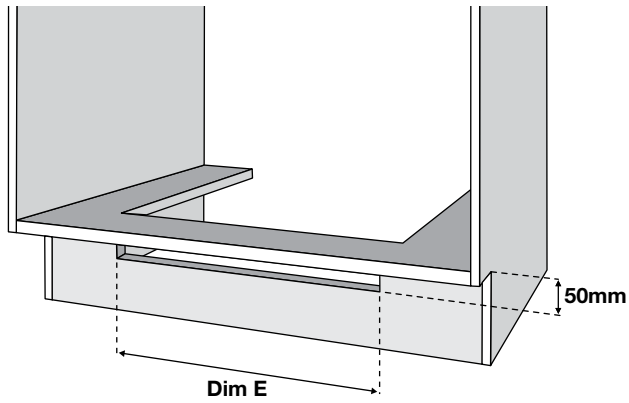


Cupboard dimensions

Clearances

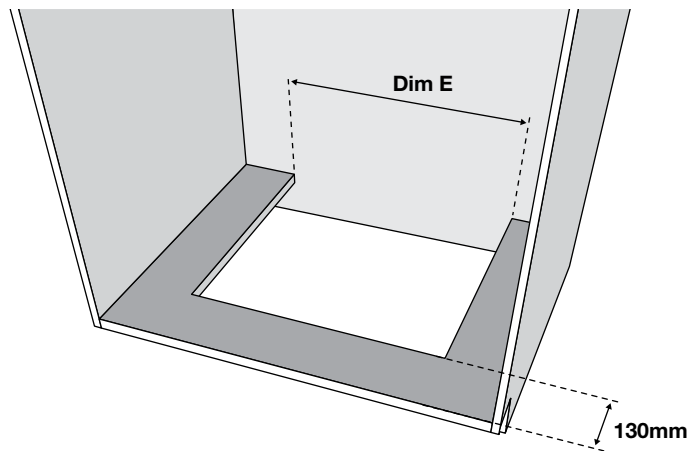
When installed the refrigerator needs to have adequate air ventilation. It is important to ensure there is good airflow from the front to underneath and up the rear to the top of the cabinet (see diagrams).

Front airflow cut-out

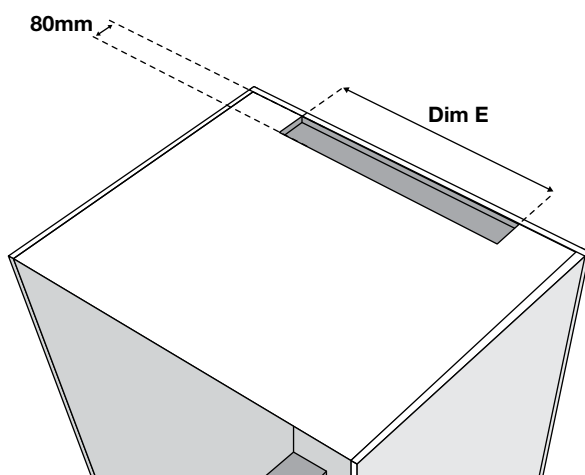


NOTE: A decorative grill can be fitted so long as it does not obstruct airflow and is removable for cleaning.

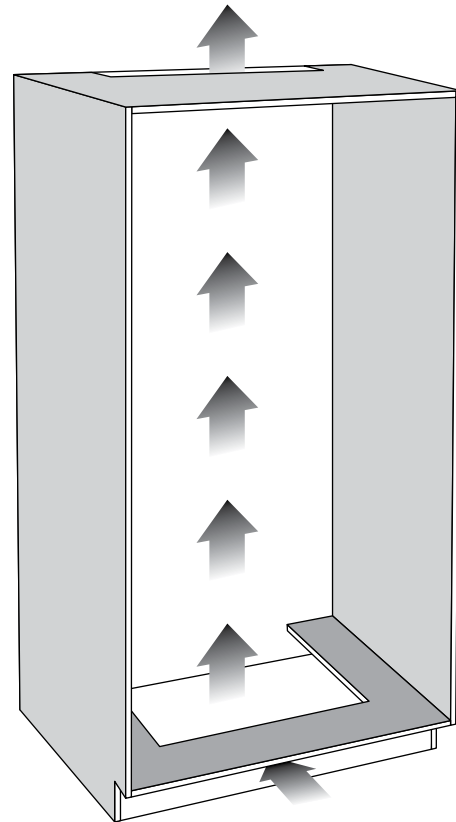
Bottom rear airflow cut-out



Top rear airflow cut-out

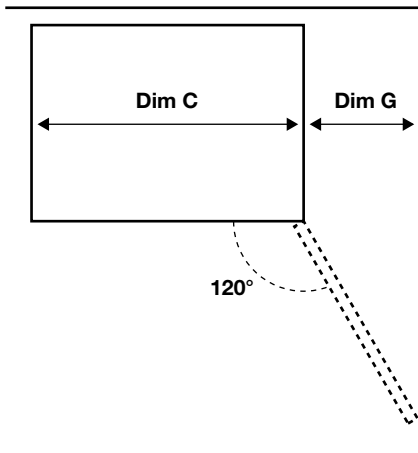


Airflow



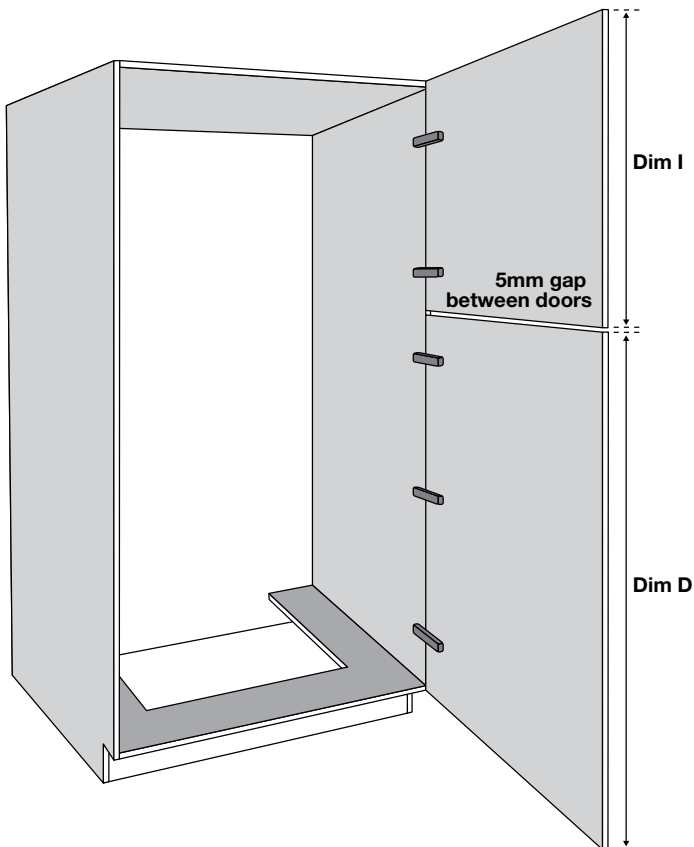
Cupboard dimensions

When positioned in a corner the clearance of Dim G on the hinge side of the cabinet will allow the doors to be opened enough to enable the removal of the crisper bins.



NOTE: Use the 120° hinges supplied with the kit to attach the cupboard door to the cupboard. Attach the hinge to the door to ensure that door can have maximum opening, i.e. the door edge should not hit the cabinet when the door is fully open.

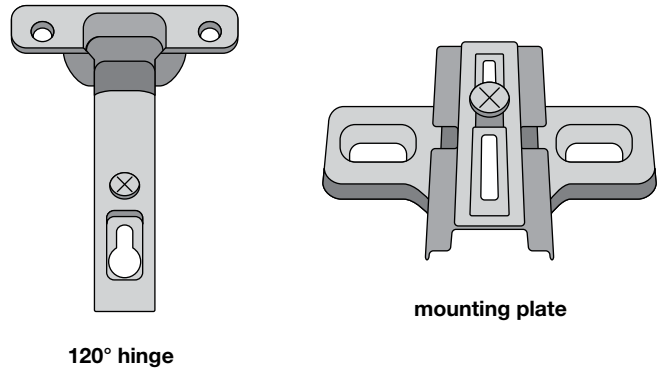
Cabinet construction (top mount cupboard shown below)



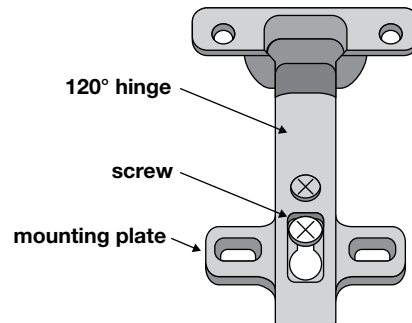
NOTE: If dim D is bigger than 1000mm in height, 3 hinges are required to attach the cupboard door to the cupboard. If dim D is smaller than 1000mm in height, 2 hinges are required/sufficient.

Installation of 120° hinge

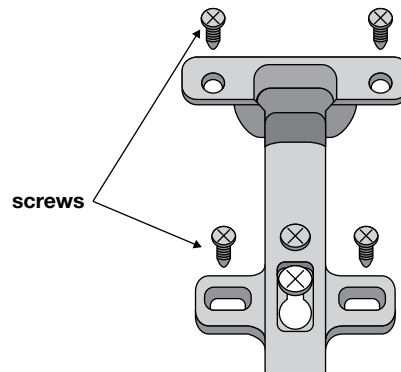
Please follow the instructions below to install the 120° hinge.



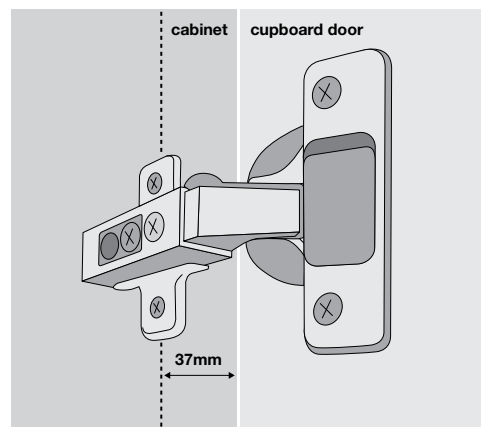
Attach mounting plate with 120° hinge and tighten the screw.



Use screws provided with the hinge to attach the cupboard door to the cupboard.



Use 120° hinge to attach the cupboard door to the cabinet.



This dimension is typically 37mm (from centre line of mounting plate to the cupboard cabinet edge)

Preparation

1. **Unpack** refrigerator, removing foam packing.
2. **Lay** the refrigerator down on its back on a piece of soft packing material. Use caution and two people while laying the appliance down.
3. **Remove** top door stopper if fitted (Figure 1).
4. **Place** adjustable rollers in the fully retracted position by **screwing** height adjusting screw fully anti-clockwise (Figure 2). Do not remove the adjusting nut completely.
5. **Stand** upright.

Figure 1

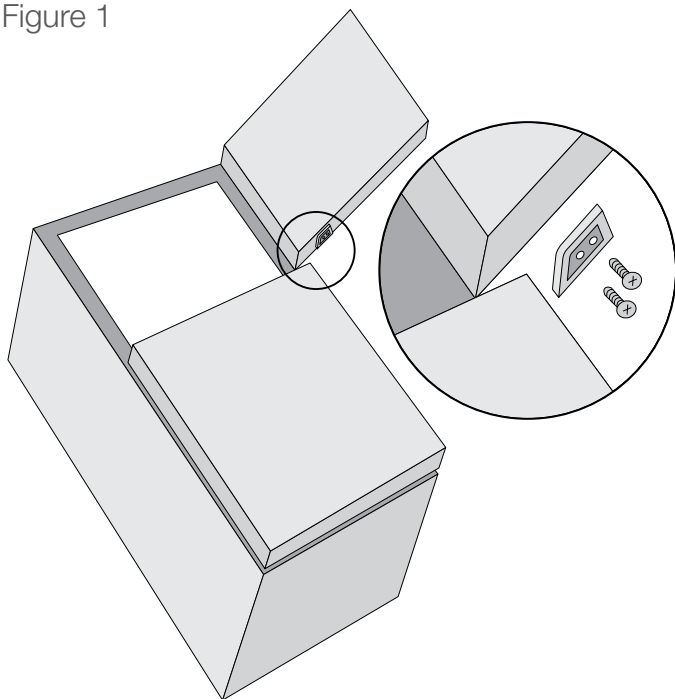
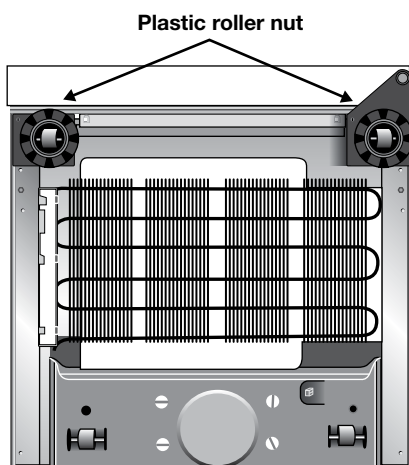


Figure 2



Attaching the top hinge bracket

1. **Remove** top hinge cover (Figure 3), cover clips off.
2. **Remove** the three (3) top hinge screws.
3. **Elevate** hinge.
4. **Slide** the top hinge bracket into position below the hinge.
5. **Re-attach** hinge and screws ensuring that refrigerator door is still correctly positioned.

i tips and information

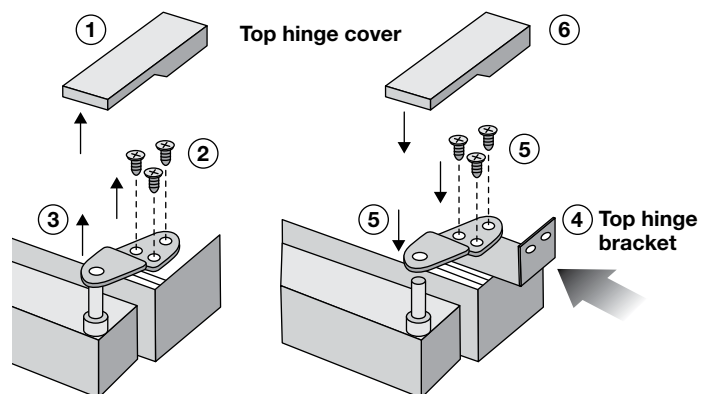
You must ensure that the refrigerator door is:

- Parallel with sides and top of cabinet.
- The gap between the door and cabinet is typically 12mm allowing the door gasket to act correctly (Figure 4).

NOTE: Ensure the gasket acts correctly, i.e. doesn't make a noise or leave gaps when the door is closed.

6. **Recap** hinge cover into position.

Figure 3



Top hinge bracket fitted

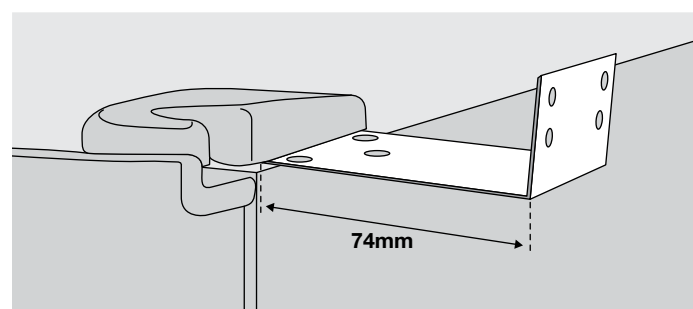
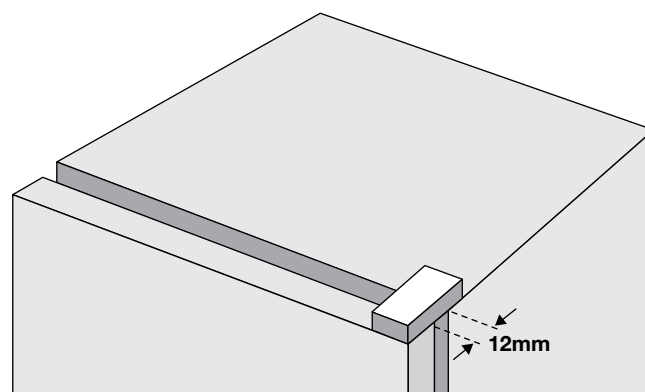


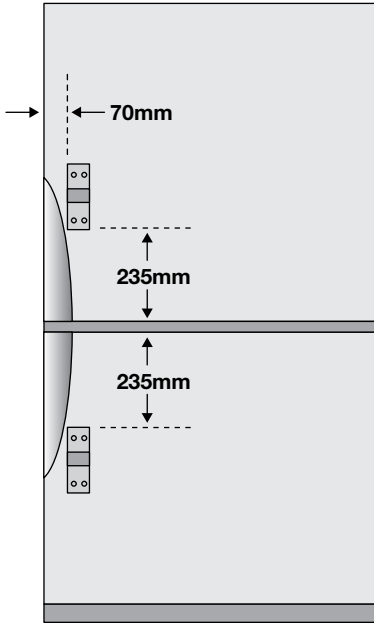
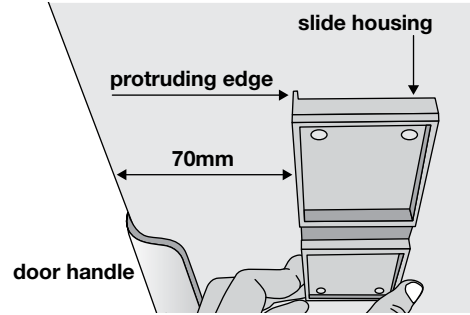
Figure 4



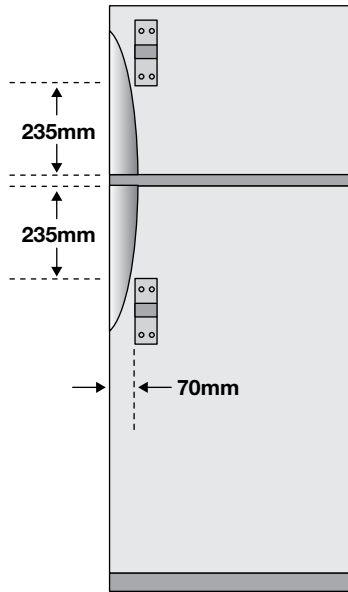
Attaching slide-housing to refrigerator doors

1. Ensure slide-housing is positioned squarely as shown.
2. Ensure that the slide-housing is positioned on the door as shown in the diagrams.

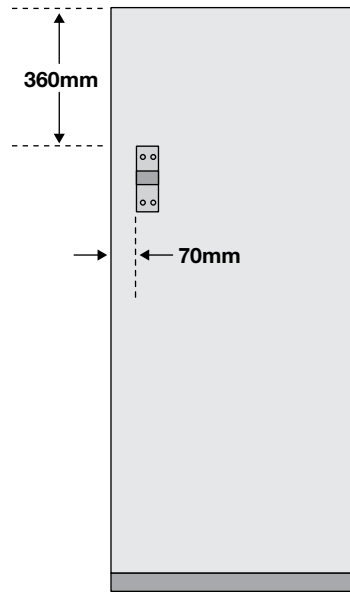
NOTE: The slide-housing 'protruding edge' side must always be closest to the door handle side (diagram right).



2 door bottom freezer

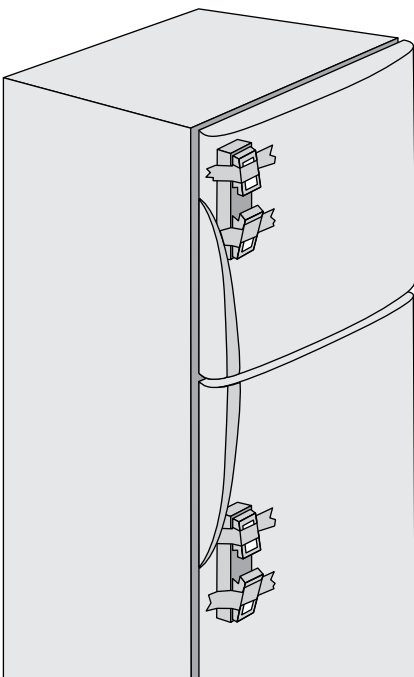


2 door top freezer

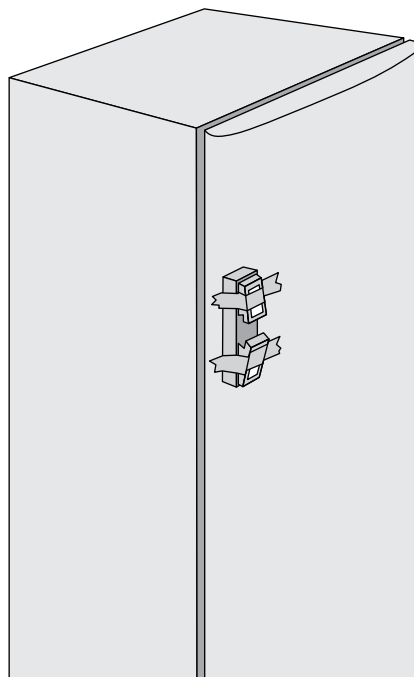


single door

...and secure with tape.



two door



single door

NOTE: for single door models, the door handle must be completely removed to provide clearance to the cupboard door and the resulting handle mounting holes hidden with a cover. Instructions on how to do this, along with the cover, are contained in an additional kit – 1449661 Handle Cover Integration Kit.

3. While the slide-housing is taped in position, punch a small hole in the refrigerator door skin corresponding to the four (4) holes in the housing (Figure 5).
4. The holes should be punched, not drilled, to ensure the maximum thread can be formed in the metal.
5. **Screw** four (4) refrigerator screws into the holes securing the housing in place. The refrigerator screws are supplied in kit (Figure 6).
If you have a two door refrigerator, **repeat** this process for the other door.

Figure 5

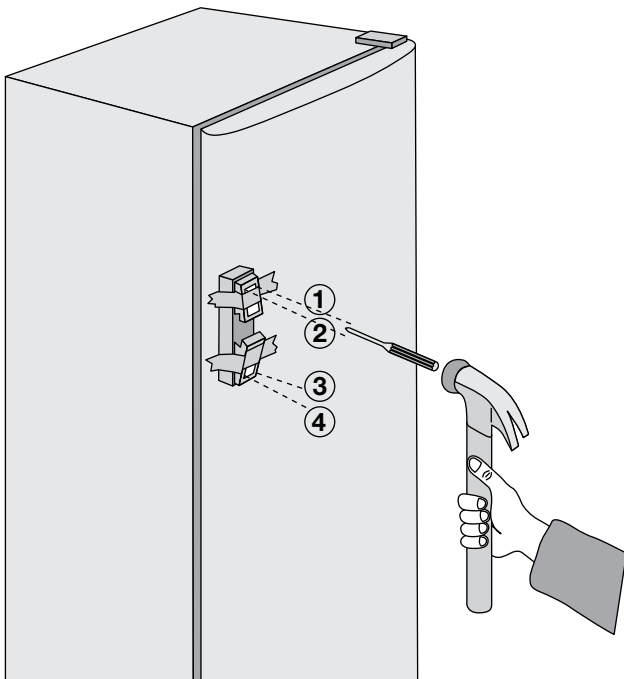
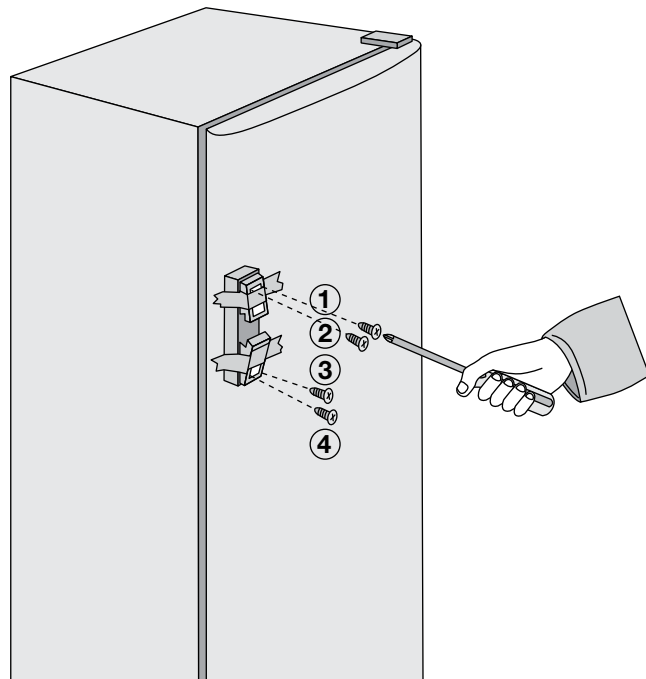


Figure 6

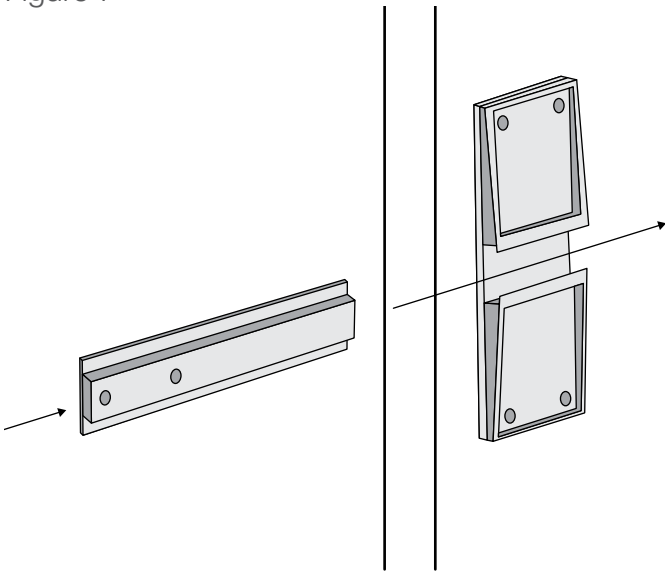


Placing refrigerator in cupboard

1. **Ensure** cupboard is level and square.
2. **Put** refrigerator into cupboard. Use caution and two people if necessary.
3. **Insert** slide bars into slide-housings (Figure 7).

*NOTE: **Ensure** the refrigerator is level in the cupboard. Raise the front of the refrigerator by using the height adjusting screws.*

Figure 7



Refrigerator alignment

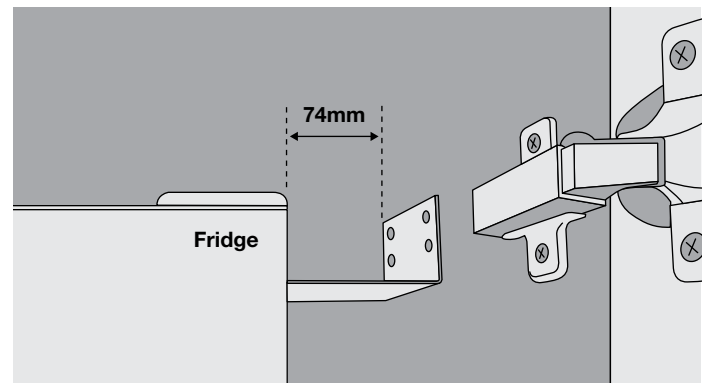
Position the refrigerator in the cupboard so that:

1. Top hinge bracket is against cupboard wall (Figure 8).
2. Front of refrigerator cabinet (with doors open) is parallel to and approximately 87mm from the front of the cupboard (Figure 9).
3. Position bottom location bracket as shown (opposite hinge side Figure 10). Fit adjustable foot in appropriate hole as shown and level refrigerator.

NOTE: do not screw in place yet.

NOTE: The front adjustable rollers may need raising (rotate anti-clockwise when viewed from above) to achieve this.

Figure 8



Top Hinge Bracket fitted – note the space between the cupboard and the side of the refrigerator is to be approximately 74mm.

Figure 9

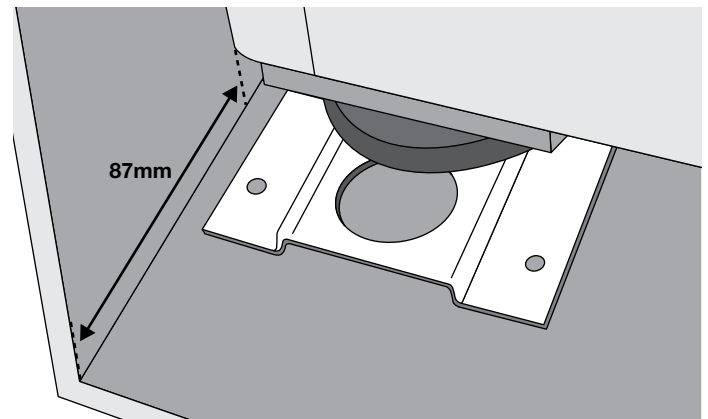
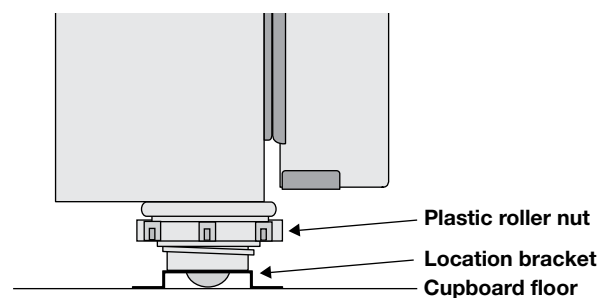


Figure 10

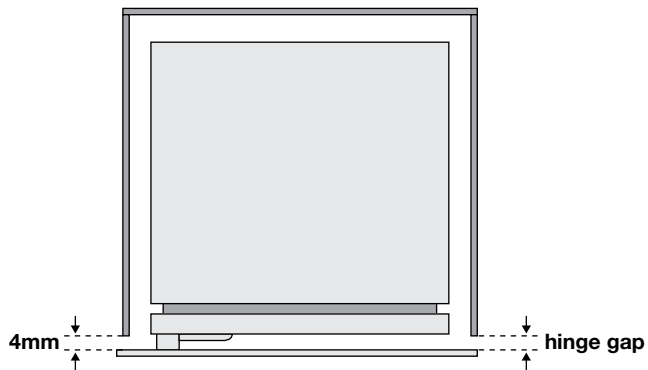


Securing the refrigerator in the cupboard

- Slowly close the cupboard door (pushing the refrigerator back) until it is slightly ajar, i.e. with a gap of about 4mm (Figure 11).

You may have to reposition the refrigerator back or forward until the 4mm gap is obtained. Ensure that the refrigerator remains parallel as you do this. Once you have the correct gap, proceed to the next step.

Figure 11



NOTE: The gap is left to ensure the refrigerator door will be allowed to close fully for a good gasket seal.

*NOTE: When attaching **all screws** to cupboard, first drill a 2mm pilot hole in the correct position. This will allow easy hand insertion of self tapping screw.*

Now that refrigerator is correctly positioned:

- Screw in** top hinge bracket to the cupboard wall using 4 cupboard screws provided. This will secure the top of the refrigerator (Figure 12).
- Screw down** foot bracket to cupboard floor with 2 cupboard screws. This will secure the bottom of the refrigerator (Figure 13).

Figure 12

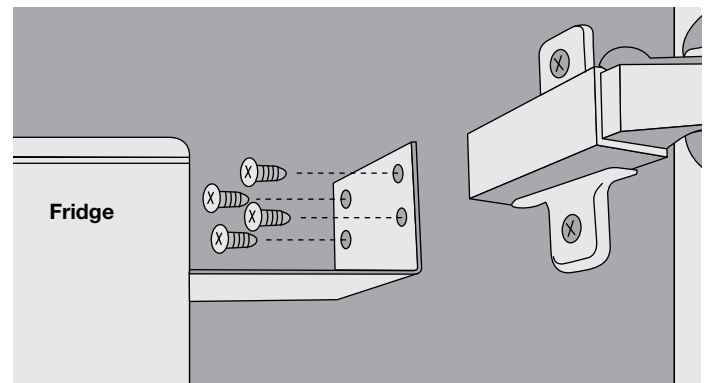
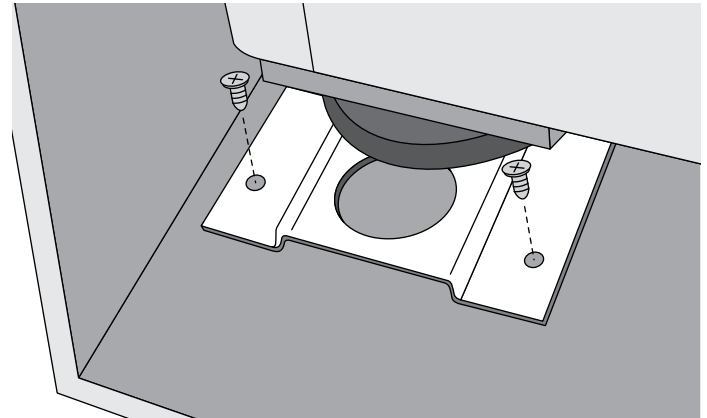


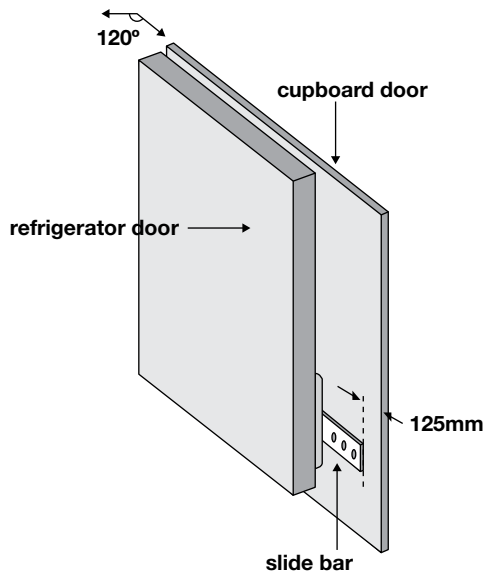
Figure 13



Attaching slide-bar to the cupboard door

1. Fully **open** cupboard door (120°).
2. **Open** refrigerator door until it rests against the cupboard door.
3. **Position** slide-bar in slide-housing so that all three holes are visible when both doors are fully open (120°). This position is typically 125mm from the edge of the cupboard door (Figure 14).

Figure 14



Whilst slide-bar is still in housing:

4. **Rotate** slide-bar to uppermost alignment, mark a line on cupboard door (Figure 15).
5. **Rotate** slide-bar to lower alignment, mark a line on cupboard door (Figure 16).
6. **Remove** slide-bar and **draw** line to indicate central alignment (Figure 17).
7. **Replace** slide-bar and align to centre line marked in previous operation (Figure 18).
8. **Secure** slide-bar by driving a cupboard screw into the centre of the inner slot (Figure 19). Gently test closing of door.
9. If the action is smooth and the slider does not move in relation to the cupboard door, drive another cupboard screw into the end slot (Figure 20).
10. Open and close the door a number of times if the action is not smooth. Loosen the screws and re-adjust slide-bar. Once the desired smooth action is achieved attach the central locking screws (Figure 21).

Figure 15

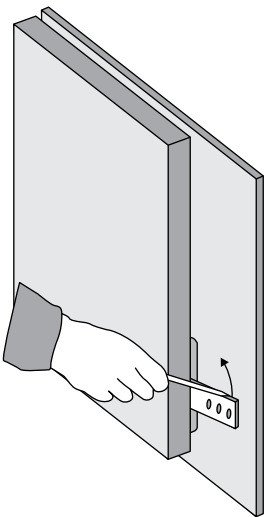


Figure 16

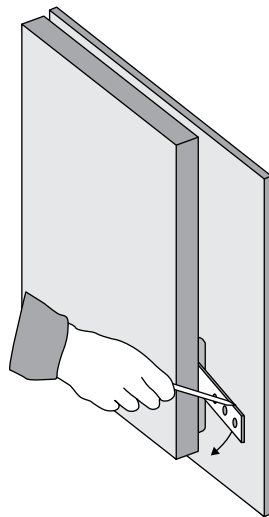


Figure 17

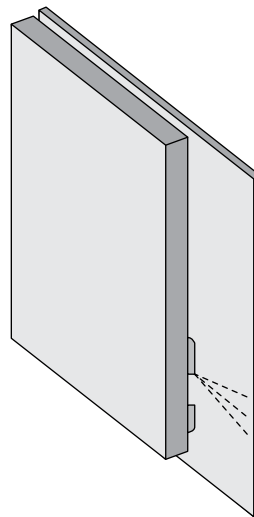


Figure 18

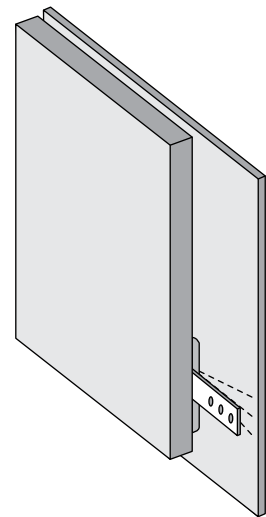


Figure 19

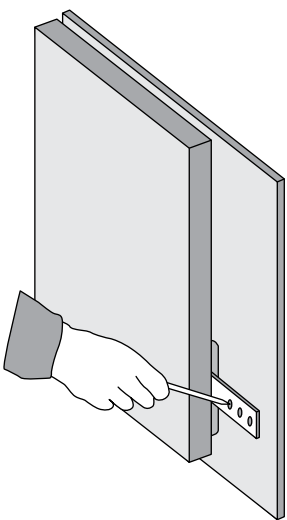


Figure 20

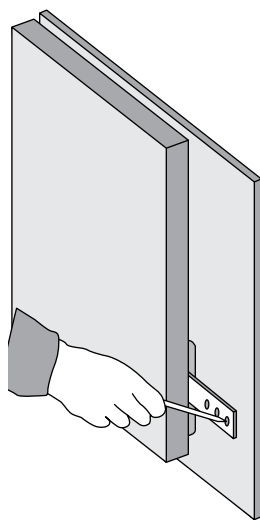
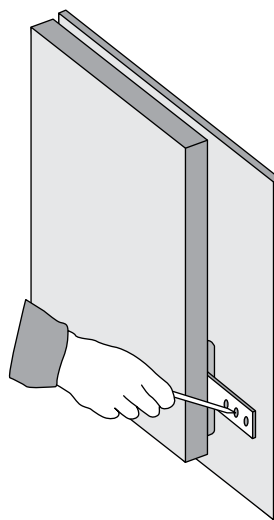


Figure 21



REPEAT THIS PROCEDURE FOR THE SECOND SLIDE BAR IF NECESSARY.

THIS COMPLETES THE INSTALLATION PROCEDURE.

CUSTOMERS PLEASE NOTE

In the unlikely event service is required on an integrated refrigerator during the warranty period it is the customer's responsibility to remove the refrigerator from the cupboard. Removal of the refrigerator from the cupboard is not covered by warranty. For full details of the warranty terms and conditions please refer to the information contained with your appliance.

Electrolux Home Products Australia

telephone: 1300 363 640
fax: 1800 350 067
email: customercare@electrolux.com.au
web: www.electrolux.com.au

Electrolux Home Products New Zealand

telephone: 09 573 2384
fax: 09 573 2221
email: customercare@electrolux.co.nz
web: www.electrolux.co.nz

The Thoughtful Design Innovator.

Do you remember the last time you opened a gift that made you say "Oh! How did you know? That's exactly what I wanted!" That's the kind of feeling that the designers at Electrolux seek to evoke in everyone who chooses or uses one of our products. We devote time, knowledge, and a great deal of thought to anticipating and creating the kind of appliances that our customers really need and want.

This kind of thoughtful care means innovating with insight. Not design for design's sake, but design for the user's sake. For us, thoughtful design means making appliances easier to use and tasks more enjoyable to perform, freeing our customers to experience that ultimate 21st century luxury, ease of mind. Our aim is to make this ease of mind more available to more people in more parts of their everyday lives, all over the world. So when we say we're thinking of you, you know we mean just that.

The "Thinking of you" promise from Electrolux goes beyond meeting the needs of today's consumers. It also means we're committed to making appliances safe for the environment—now and for future generations.

Electrolux. Thinking of you.

Share more of our thinking at www.electrolux.com.au or www.electrolux.co.nz