



**LG**

Life's Good

# OWNER'S MANUAL DISHWASHER

Please read this manual carefully before operating your dishwasher. Retain it for future reference.

LD-1420T(W,B)2

LD-1421T(W,B)2

SAFETY AND CAUTION	3
INSTALLATION INSTRUCTIONS	5
PARTS NAME	9
FUNCTION OF CONTROL BUTTON	10
BEFORE USING FOR THE FIRST TIME	13
INFORMATION FOR ENERGY TEST	14
HOW TO USE AND OPERATE	15
OPERATING SEQUENCE	22
PROGRAM	23
USER MAINTENANCE INSTRUCTIONS	24
TROUBLE SHOOTING GUIDE	25
SPECIFICATION	28

# S AFETY AND CAUTION

## IMPORTANT SAFETY INSTRUCTIONS

**⚠ WARNING** - When using your dishwasher, follow basic precautions, including the following:

- Please read this manual carefully before using the dishwasher for the first time.
- This manual contains very important notes regarding the installation, use and maintenance of your dishwasher.
- The manufacturer can not be responsible for problems caused by ignoring these safety and caution instructions.
- This dishwasher is designed for normal household use.
- Do not use the dishwasher for industrial and commercial use. It is designed for Domestic dish washing only.
- The appliance is not intended for use by young children or infirm persons without supervision.
- Check packaging and dishwasher immediately for signs of transport damage. If the appliance is damaged, do not put it into use but contact your supplier without delay.
- This appliance is not intended for use by persons (including children) with reduced physical, sensory or mental capabilities, or lack of experience and knowledge, unless they have been given supervision or instruction concerning use of the appliance by a person responsible for their safety.

### ■ During installation

- Electrical connection must be in accordance with the rating label.
- Electrical safety is only guaranteed when the earth system of your house is in accordance with the related local regulations. (Do not use an extension cable or cord.)
- If the hot water exceeds 65°C, adjust the water heater setting. If the hot water temperature can not be maintained below 65°C, the dishwasher must be connected to cold water.
- If power supply cord is damaged, it must only be replaced by the manufacturer or its service agent or a similar qualified person in order to avoid a hazard.
- This appliance must be positioned so that the plug is accessible.
- The appliance is to be connected to the water

mains using new hose-sets and that old hose-sets should not be reused.

- The door should not be left in the open position since this could present a tripping hazard

### ■ During use

- Only suitable household utensils should be placed in the dishwasher. (Please avoid utensils; that are non-heatresistant, metal decorated, etc.)
- Do not use any kinds of solvent in your dishwasher. They may cause an explosion or fire.
- Do not spray water on the appliance. It may cause the failure of electric parts or electric shock.
- Do not push down or sit on the inner door when the door opened. It may cause the deformation or failure of your dishwasher.
- Do not use the detergent for hand washing. The detergent for dishwasher should be used for normal operation.
- This appliance is fitted with a safety function that automatically stops the operation of the dishwasher when it is exposed to heavy disturbance on its mains.
- Dishwasher detergents are strongly alkaline. They can be extremely dangerous if swallowed. Avoid contact with skin and eyes and keep children away from the dishwasher when the door is open. Check that the detergent receptacle is empty after completion of the wash cycle.

### ■ Child Safety

- Controls may be locked using “Child Lock” mode to prevent all the setting from being changed by a child.
- The Child Lock can only be engaged after the cycle has commenced.
- Keep children away from detergents and rinse-aids.
- Do not allow children to operate the dishwasher.
- Young children should be supervised to ensure that they do not play with the appliance.

# S AFETY AND CAUTION

## **CAUTION** concerning the Power Cord

We recommend that most Appliances be placed upon a dedicated circuit; that is, a single outlet circuit which powers only that appliance and has no additional outlets or branch circuits. Check the specification page of this owner's manual to be certain.

Do not overload wall outlets. Overloaded wall outlets, loose or damaged wall outlets, extension cords, frayed power cords, or damaged or cracked wire insulation are dangerous. Any of these conditions could result in electric shock or fire. Periodically examine the cord of your appliance, and if its appearance indicates damage or deterioration, unplug it, discontinue use of the appliance, and have the cord replaced with an exact replacement part by an authorized servicer.

Protect the power cord from physical or mechanical abuse, such as being twisted, kinked, pinched, closed in a door, or walked upon. Pay particular attention to plugs, wall outlets, and the point where the cord exits the appliance.

## **CAUTION** The instructions shall state the substance of the following :

This appliance is not intended for use by persons (including children) with reduced physical, sensory or mental capabilities, or lack of experience and knowledge, unless they have been given supervision or instruction concerning use of the appliance by a person responsible for their safety. Children should be supervised to ensure that they do not play with the appliance.

## **SAVE THESE INSTRUCTIONS**

### **GROUNDING INSTRUCTIONS**

This appliance must be grounded. In the event of a malfunction or breakdown, grounding will reduce the risk of electric shock by providing a path of least resistance for electric current. This appliance is equipped with a cord having an equipment-grounding conductor and a grounding plug. The plug must be plugged into an appropriate outlet that is installed and grounded in accordance with all local codes and ordinances.

**WARNING** - Improper connection of the equipment-grounding conductor can result in a risk of electric shock. Check with a qualified electrician or service representative if you are in doubt whether the appliance is properly grounded. Do not modify the plug provided with the appliance; if it will not fit the outlet have a proper outlet installed by a qualified electrician.

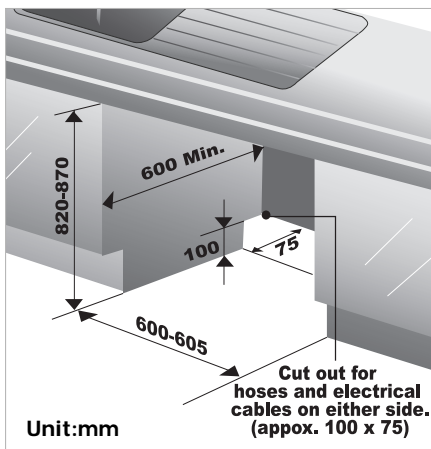
# INSTALLATION INSTRUCTIONS

## ⚠ WARNING

A qualified electrician/plumber or competent person should carry out any electrical/plumbing work required to install this appliance.

### Step 1 : PREPARE CUPBOARD OPENING

- 1 This dishwasher is designed to fit the size shown as below.
- 2 Select a location as close to sink as possible for ease of connection to the water and drain pipes.
- 3 To ensure good drainage, the dishwasher should not be installed more than 2 meters away from the sink.
- 4 If dishwasher is installed in a corner, a minimum of 5cm of space is required between the washer and an adjacent cabinet or wall.



Any bare wood surrounding the dishwasher should be sealed with a waterproof paint or sealant to prevent the cabinets from swelling.

### Step 2 : PREPARATION FOR ELECTRICAL WIRING

## ⚠ CAUTION

For personal safety, remove house fuse or open circuit breaker before installation. Do not use an extension cord or adapter plug with this appliance. Electrical and earthing connections must comply with the national electrical code/provincial and municipal code and/or other local codes.

- 1 This appliance must be supplied with correct rating voltage and hertz as shown on instruction manual, and connected to an individual, properly earthed branch circuit, protected by a minimum 15 amp circuit breaker or time delay fuse. Wiring must be 2 wire with Earth.
- 2 The power plug must be in a accessible location adjacent to and not behind the dishwasher and within 1.2 meters of the dishwasher side.(See page 7 Fig.A)
- 3 The power plug must be correctly earthed, if in doubt, have it checked by a qualified Electrician. No other appliance should be connected to the same plug outlet by a double adapter or similar plug.

## Dangerous voltage

**5036**

To indicate hazards arising from dangerous voltages.

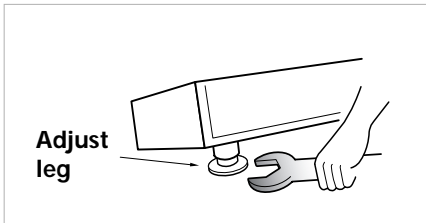


*Note – In case of application around high voltage, the rules according to ISO 3864 shall be adhered to. Do not dismantle or remove the covers of the Dishwasher as it contains high voltage to operate the UV function.*

# INSTALLATION INSTRUCTIONS

## Step 3 : PREPARING THE DISHWASHER FOR INSTALLATION

- 1 Lay the dishwasher on its back.
- 2 Adjust the legs to the required height as shown in below figure.

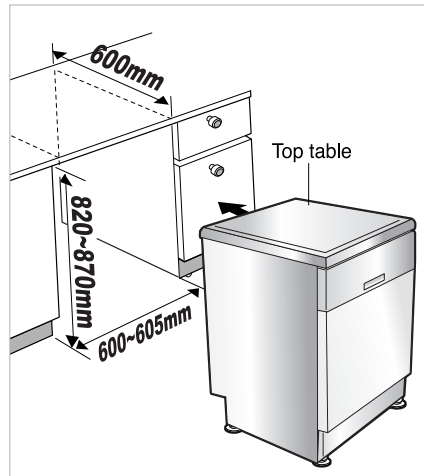


## Step 4 : INSTALLING THE DISHWASHER IN CUPBOARD

- 1 Before sliding the dishwasher into the cupboard opening, all necessary height and balancing adjustments should be made using a spanner.
- 2 Slide the dishwasher into the cabinet opening carefully. Make sure that the drain hose inside the cabinet is not kinked or stretched.

### ⚠ CAUTION

If the height of the cupboard is below 850mm, you should remove the top table by unscrewing the 2 screws. (Two of rear)



# INSTALLATION INSTRUCTIONS

## Step 5 : INSTALLATION OF DRAIN HOSE

- 1 If the end of drain hose does not fit to the drain line, use a rubber connector(not supplied) that is resistant to heat and detergent.
- 2 This should be available from a plumbing shop or DIY merchants.
- 3 There are two typical connections as shown in Figure A, B.

The “S” trap spigot must be drilled out cleanly and free of obstruction to its maximum internal diameter, if used for drainage.

To prevent siphoning, one of the following methods must be used:

- When the drain hose is connected to a sink “s” trap or waste disposal unit, the hose must be looped up to the underside of the bench top and secured.

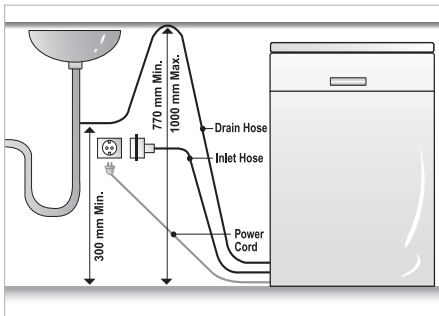


Fig. A

- When the drain hose is connected to a separate standpipe, it is essential that an airtight connection be made. Refer to Fig.B

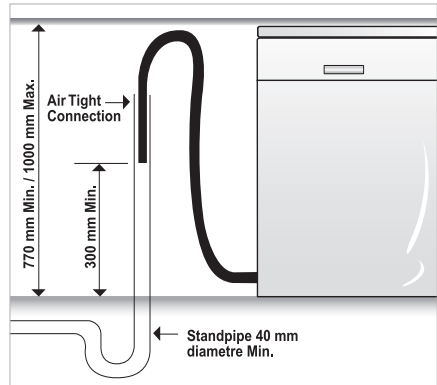
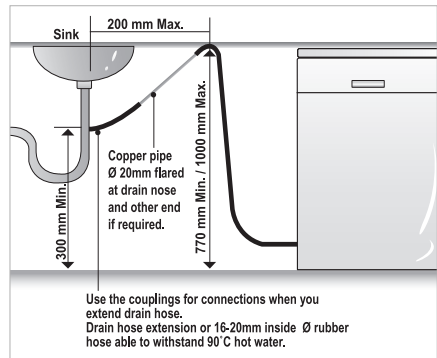


Fig. B : Drainage connection - stand pipe.

### Drain hose Extension

Extend drain hose as shown below.



### ⚠ CAUTION

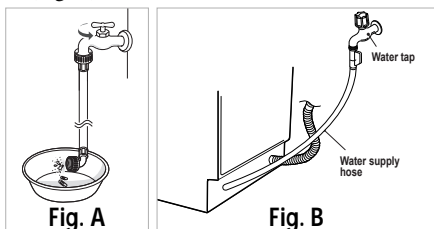
When you connect or extend drain hose, make sure that drain hose is not kinked. (Bends should have a 40 mm radius.)

# INSTALLATION INSTRUCTIONS

## Step 6 :

### CONNECTION OF WATER INLET HOSE

- 1 Connect the water supply hose to the water tap. (Some models consist of an inlet valve and hose.)
- 2 After connecting the inlet hose to the tap, turn on the tap to flush out foreign substances (dirt, sand or sawdust) in the water lines. Let water drain into a bucket, and check the water temperature. (Fig. A)
- 3 Connect the Supply hose to the water inlet. (Fig. B)



- This dishwasher may be fed with either hot or cold water. If the water can not be maintained below 65°C, the dishwasher must be connected to cold water.
- When connecting, you may use sealant tape or sealing compound to avoid water leaks.
- Make sure that the line is not kinked or sharply bent.
- It is recommended that the new inlet hose be used and not the existing or old hose.

## Step 7 :

### FINAL CHECK AND ASSEMBLING

- 1 Securely hand tighten supply hose to the water supply. Plug the power supply cord into an earthed electrical point and switch on.
- 2 After installing and prior to using the dishwasher with crockery, we recommend that you use the dishwasher on 'Quick' mode to rinse through. At this stage it is useful to ensure that there are no operating problems or water leaks.

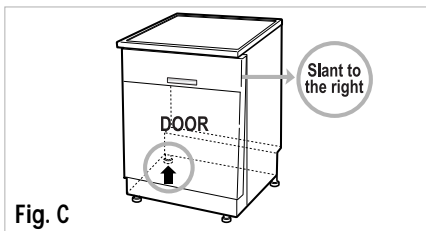
When the dishwasher is used for the first, there may be a loud noise, if this happens, turn off the power and restart the dishwasher.

## Step 8 :

### HOW TO LEVEL THE DISHWASHER

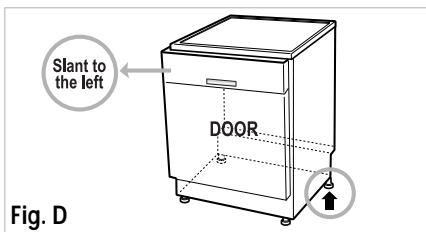
After installing the dishwasher, you may notice a slight sticking of the door to the dishwasher, when you open or close the door. If this does happen you need to adjust the level of the dishwasher.

#### Case 1. In case the door is slanted to the right



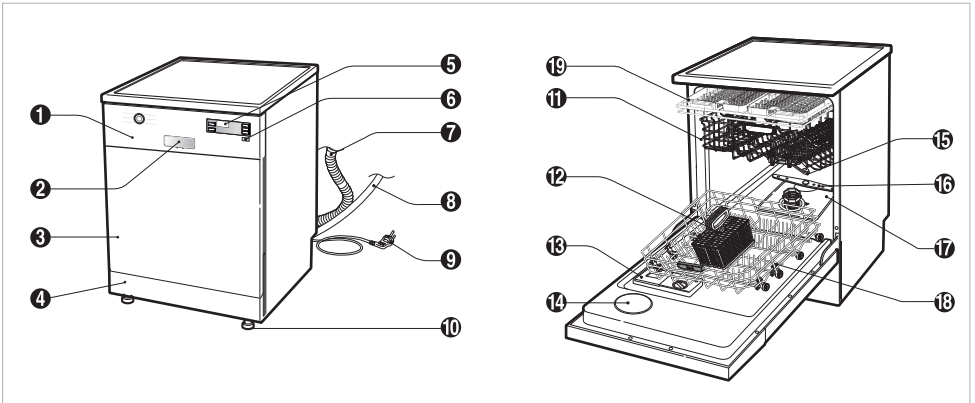
- If the door slants to the right, see fig. C and follow these instructions:
  - 1) Unscrew (counter-clockwise) the left leg of the back side and correct the level.
  - 2) Check the opening of door and repeat if necessary until the door opens and closes properly.
- When the product is correctly leveled, There should be no slant , stickiness or friction sound.

#### Case 2. In case the door is slanted to the left



- If the door slants to the left, see fig. D and follow these instructions:
  - 1) Check the opening of door if there still remains sticky or friction sound.
  - 2) Check the opening of door and repeat if necessary until the door opens and closes properly.
- When the product is correctly leveled, There should be no slant , stickiness or friction sound.





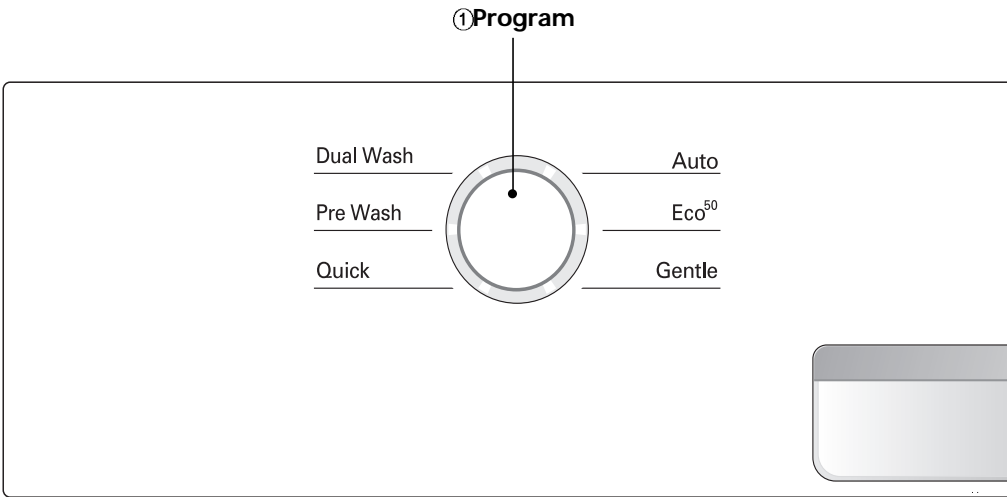
- 1. Control Panel
- 2. Door Handle
- 3. Front Cover
- 4. Lower Cover
- 5. Display Window
- 6. Power Button
- 7. Drain Hose
- 8. Inlet Hose
- 9. Power Cord
- 10. Adjustable Leg

- 11. Upper Rack
- 12. Cutlery basket
- 13. Detergent and Rinse Aid Dispenser
- 14. Vapor Vent Cover
- 15. Upper Spray Arm
- 16. Lower Spray Arm
- 17. Filter ASM
- 18. Lower Rack
- 19. 3<sup>rd</sup> Rack(Cutlery Rack)

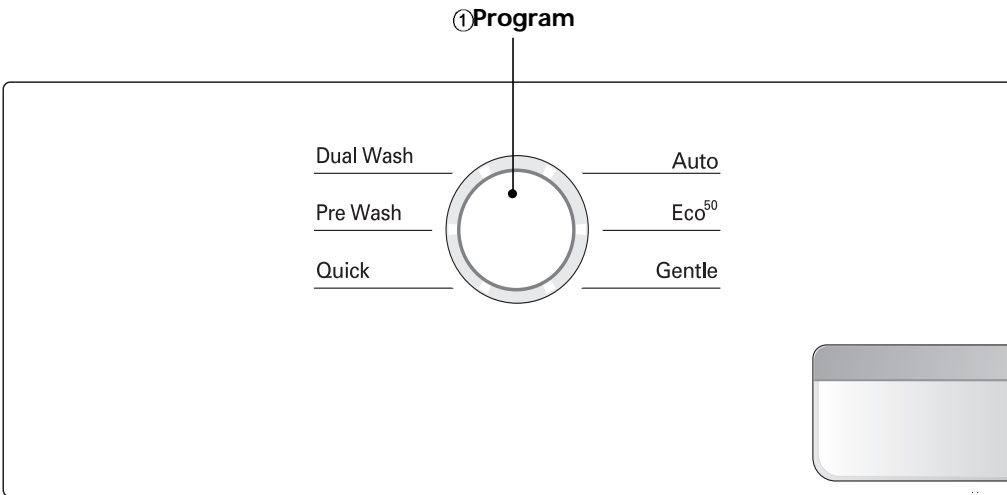
# F

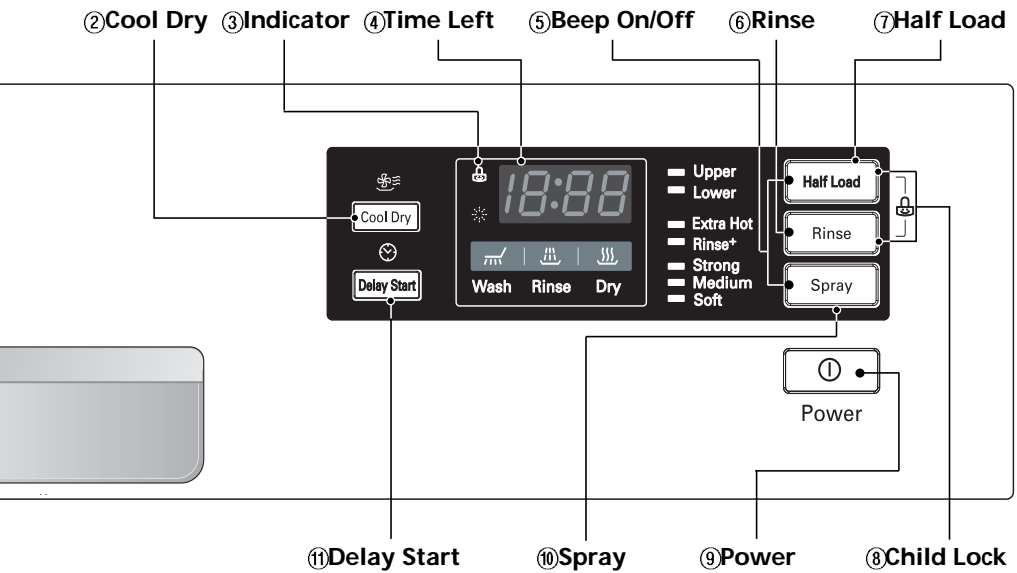
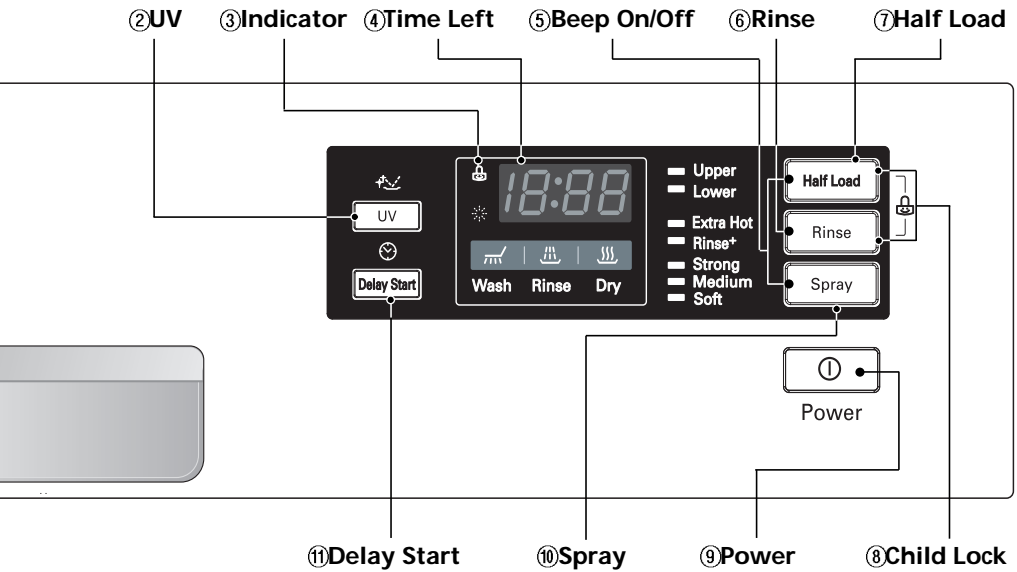
## UNCTION OF CONTROL BUTTON

### ■ MODEL : LD-1420T(W,B)2



### ■ MODEL : LD-1421T(W,B)2





**①Program**

- To select a program, press this button.

**②UV (Selected models only)**

- If you want to sterilize the dishes, press **UV** button before starting.
- UV can be used in both the option programs(Course+UV) and single program(UV).
- If the single program is selected, the UV lamp will turn on immediately.
- Following the drying cycle(option program), the UV lamp will turn on to perform the sterilization function.
- During the UV course, “**St**” will be shown on the display window.
- When you open the dishwasher door, the UV lamp will turn off.
- ※ Do not look at the UV lamp should it remain on in the event of a malfunction.

**Cool Dry (Selected models only)**

- When you want better drying performance, press **Cool Dry** button.
- Cool Dry can be used in both the option program(Course+Cool Dry) and single program(Cool Dry).
- If the single program is selected, the fan will operate immediately.
- Following the drying cycle(option program), the fan will operate for a few more minutes to diminish any remaining moisture.
- During the Cool Dry course, “**Cd**” will be shown on the display window.
- You can open the door and unload the dishes at any time.

**③Indicator**

- Child Lock.
- Refill with rinse aid.

**④Time Left**

- Before starting, the display window shows the running time of the selected program.
- After starting, the display window shows the remaining time. These times may vary due to extraneous conditions.
- If the dishwasher has trouble, the trouble type is displayed.  
“OE”, “FE”, “IE”, “ET”, “HE”, “CE”, “LE”, “IE”
- If these error letters are displayed, please refer to the trouble shooting guide page 26 and follow the guide.

**⑤Beep On/Off**

- The dishwasher must be switched on.
- The beep on/off function can be set by pressing the **Half Load** and **Spray** button simultaneously for a few seconds.  
Then, an “On” will appear in the display.
- The beep on/off function is automatically canceled when a mains power failure occurs.

**⑥Rinse**

- Repeated pressing of the **Rinse** button will select **Extra Hot, Rinse+**, **Extra Hot & Rinse+**.
- If you select the **Extra Hot** function, the operating temperature will be up to 80 °C. (selectable on Dual Wash, Auto & Eco 50 only)
- When you select **Rinse+**, an additional rinse cycle is added.

**⑦Half Load**

- In case of small load, use upper or lower rack only to save energy.
- With each press, **Upper** or **Lower** racks can be selected.
- In case you don't select this button, the machine always works on vario washing, which operates upper and lower spray arm alternately.

**⑧Child Lock**

- Used to lock or unlock the control buttons to prevent any of the settings from being changed after the cycle has commenced.
- To activate or release the **Child Lock** function, press the **Half Load** and **Rinse** buttons simultaneously for a few seconds while the dishwasher is in operation.
- All controls will be disabled except the **Child Lock** and **Power** buttons.
- Turning off the dishwasher will not reset the **Child Lock** function. You must release the **Child Lock** before you can operate the dishwasher.

**⑨Power**

- For operating, press this button first for power on.
- After operating, this button automatically switches off for safety and energy saving.
- In case of irregular mains power disturbance to the machine, the power may be automatically turned off for safety.

**⑩Spray**

- With each press, the water jet intensity is changed to **Strong, Medium** or **Soft**.

**⑪Delay Start**

- If you want to delay the start of selected program, press this button.
- Pressing this button will increase the delayed starting time by 1 hourly increments.
- The delay start time can be adjusted from 1 hour to 19 hours.

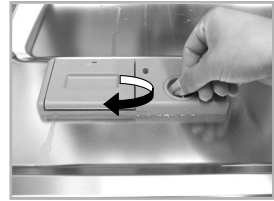
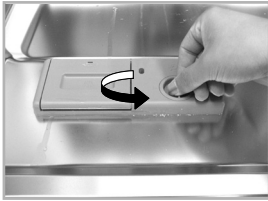
# **B**EFORE USING FOR THE FIRST TIME

## 1. Adding Rinse Aid

### ■ For filling

To fill the Rinse Aid chamber, rotate the round cap counter clockwise and remove. Fill the container to the maximum level with a good quality Rinse Aid, then replace and lock the cap. The Rinse Aid is automatically dispensed during the final rinse cycle.

The dosage is factory set to suit most installations. If, after washing, you notice cloudy spots, streaks or water marks on your glassware, it may be necessary to increase the setting. To do this, remove the cap and rotate the indicator arrow to a higher setting then replace the cap. If the glasses are smeared or foam is present on the bottom of the glass or the bottom of the machine, select a lower setting.



### ■ IMPORTANT NOTE

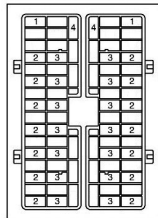
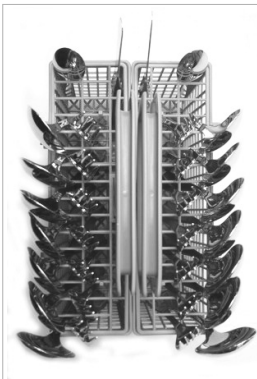
It's not necessary to use liquid Rinse Aid if using dishwashing tablets with a rinse aid component already added. It may cause foaming or smearing on the glassware.

# INFORMATION FOR ENERGY TEST (AS/NZS 2007)

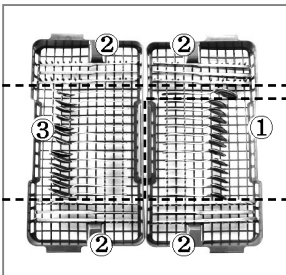
■ Appliance loaded in accordance with standard specifications.

- Capacity : 14 place settings
- Comparability course : Eco 50° & Spray : Strong
- Rinse Aid setting : 3
- Reference cleaner : 22g of detergent onto the inside surface of the door and fill 10g into the detergent dispenser.
- Door is opened at the end of the drying cycle for the drying performance test.
- Height-adjustable Rack-U must be inserted into the uppermost position.

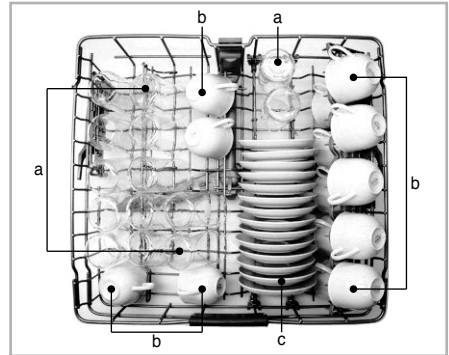
## 1. Cutlery Basket



## 2. Cutlery Rack

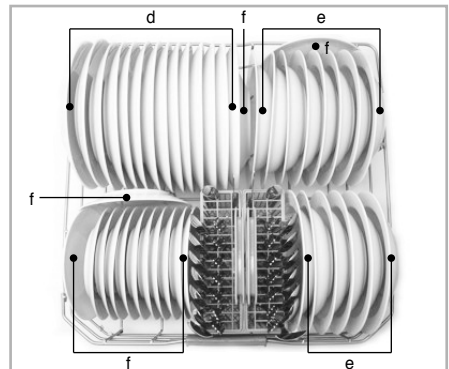


## 3. Upper Rack



a	Glasses
b	Cups
c	Saucers

## 4. Lower Rack



d	Dinner Plates
e	Soup Plates
f	Dessert Plates

# HOW TO USE AND OPERATE

For better washing performance, always load the dishwasher according to the instructions.

- Before loading items into the dishwasher
  - Clean off large particles of food, in particular insoluble items such as bones, pips etc.
  - Items with burnt on food should be soaked prior to loading in the dishwasher.
- While you load items into the dishwasher
  - Load all items with the opening down. (Make sure that water does not collect in a deep base.)
  - Deep based items should be placed at an angle to help water run off and dry properly
  - Make sure that all items do not touch each other.
- Take care not to obstruct the rotation of spray arms.
- Plastic items do not dry as well as steel or porcelain items.

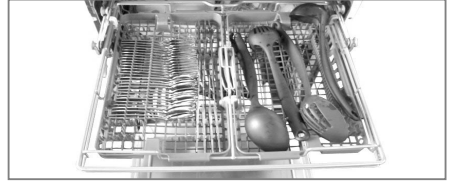
## Non Dishwasher Safe Items

The combination of high water temperatures and dishwasher detergent may damage particular items, therefore we do not recommend using the dishwasher to wash the following:

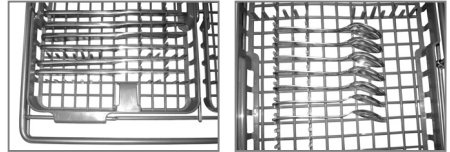
- Copper or anodized aluminum
- Hand painted silver or gold leaf crockery
- Wood or bone handled utensils
- Iron or non rust proof utensils
- Plastic items that which are not dishwasher safe

## 1. Cutlery Rack

The cutlery rack is best suited for flatware and most cooking or serving utensils.



Knife, fork and spoon handles should be positioned between the tines.

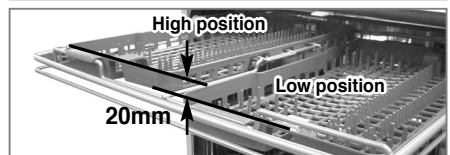
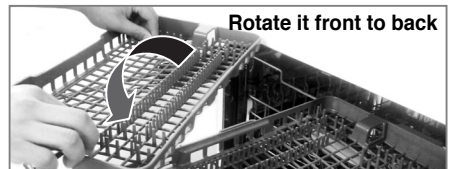
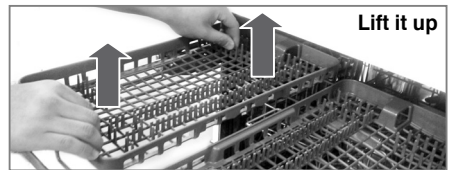


### ▲ WARNING

Be careful when loading and unloading sharp-edged items. Load sharp knives with the blade down in order to reduce the risk of injury.

### ■ Height Adjustable tray

Each side tray can be adjusted independently to a high or low position to accommodate different sizes of utensils or cutlery.



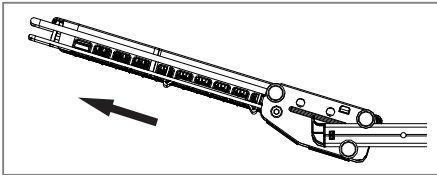
# HOW TO USE AND OPERATE

## ■ Removable Cutlery Rack

The entire cutlery rack can be removed if more space is needed on the upper rack for larger items.

### NOTE :

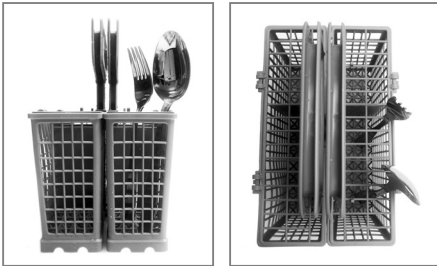
Always remove cutlery from the rack before removing the rack.



Pull the rack out to the end of the rails, then lift the front of the rack so the rollers clear the stop on the end of the rail. The rack can now be slid forward and removed from the rails.

## 2. Cutlery Basket

Place forks and spoon in the cutlery basket with their handles downwards.

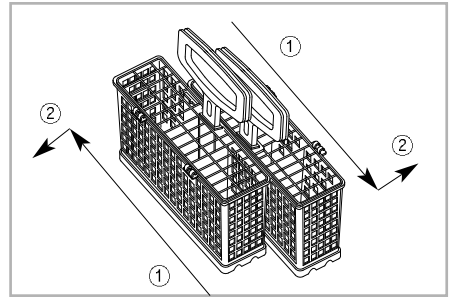


For larger utensils, such as whisks, the cover is opened by being hinged.

Take care not to obstruct the rotation of the spray arm.



The basket can be split along its length, increasing the lower rack's loading versatility.



Slide two baskets in opposite directions, then pull them apart.

### ▲ WARNING

To prevent injuries, place knives and other utensils with sharp points on the knife shelf or cutlery rack.

If you want to load them in the cutlery basket, place them with the pointed edges facing downwards.

## 3. Lower Rack

The lower rack is best loaded with dinner plates, soup bowls, dishes, pots, pans, lids and even the grill tray.



Plates should be positioned upright and facing the centre of the rack and pots, pans and large dishes must be turned upside down.



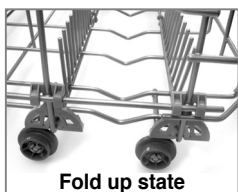
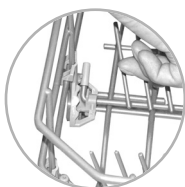
# HOW TO USE AND OPERATE

Take care not to obstruct the rotation of the spray arms and ensure that large items do not prevent the detergent dispenser lid from opening.



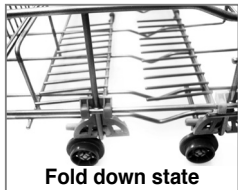
To make it easier to load larger dishes, the front row of tines can be **folded down**.

## ■ How to fold down



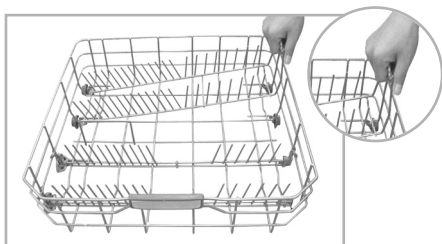
Fold up state

Ex) Loading large pot



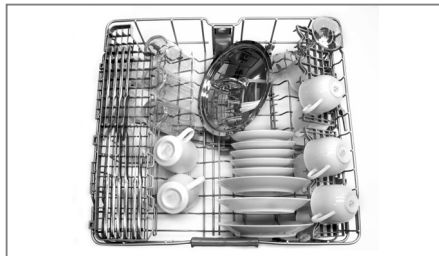
Fold down state

To make it easier to load larger dishes, the rear row of tines can be **removed away**.



## 4. Upper Rack

It is best to load this with more delicate items such as, small plates, long cutlery, cups, glasses and dishwasher safe plastic items.



Plates should be positioned upwards with the plate bottom facing the front of the rack.

Cups, glasses and bowls must be positioned upside down.

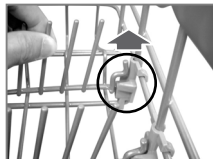
Take care not to obstruct the rotation of the spray arm under the upper rack.



To make it easier to load larger cup or glass, the left side row of tines can be folded down.

## ■ How to fold down

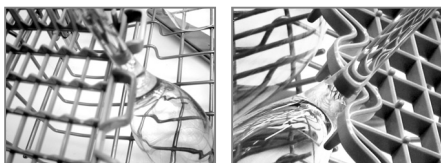
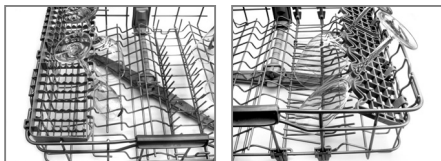
- Pull up the tine
- Rotate the tine



Long stem glassware can be placed without interference from the lowered tines.

# H OW TO USE AND OPERATE

The knife rack (on some models) or extra cup rack provides support for long stem glasses.

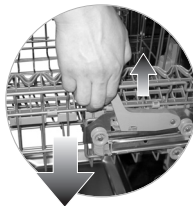


The cup racks can be folded up out of the way for tall crockery items.



■ Adjusting the height of the upper rack  
The height of the upper rack can be adjusted when you load glasses with long stems or tall crockery items.

- Move the upper rack to the lower position



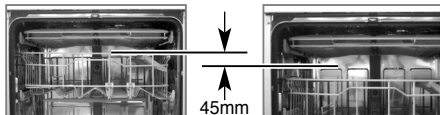
Pull up the levers on either side of the rack.

- Move to upper position



Lift the rack upward.

There is a 45mm gain in height when the upper rack is moved to the lower position.



After adjusting the rack levels, check that the spray arms are free to rotate.

## ⚠ WARNING

Before adjusting, ensure the rack is empty of all crockery. Otherwise crockery may be damaged or you may be injured.

# HOW TO USE AND OPERATE

## 5. Adding Detergent

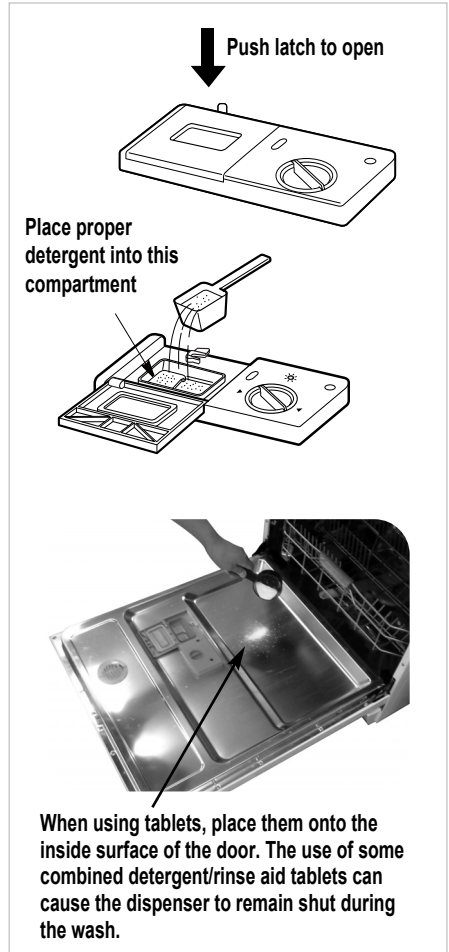
- Detergent must be put into the detergent chamber before starting every program except the Pre Wash. The dispenser will not activate on a Pre Wash cycle.
- Please follow the manufacturer's instructions within the manual, when determining the correct amount of detergent to use.
- If your dishes are moderately dirty, you may use slightly less detergent than recommended.
- Chambers hold 15g and 25g.
- The amount of detergent required depends on the program. Please refer to the guide table.

PROGRAM	AMOUNT OF DETERGENT	
	Pre-Wash	Main-Wash
Dual Wash	5g	25g
Auto	10g	20g
Eco50	5g	15g
Gentle		15g
Quick		20g
Pre Wash	No detergent	

- The detergent is dispensed automatically during the operation.
- The chamber lid remains open after operation.

### Detergent Information

Use only the detergent intended for household dishwashers. (Ordinary hand-washing detergent should not be used, because the foam will interfere with proper operation.) When using some dishwasher tablets, the dispenser may not to open due to their excessive size. If this happens, place the tablet onto the floor of the tub.



# HOW TO USE AND OPERATE

## ⚠ WARNING

The detergent used is a special Dishwasher detergent and like all household chemicals it should be treated as harmful and kept out of reach of children. After completion of the wash program, the detergent compartment should be checked and any remaining detergent removed.

## ⚠ ATTENTION

### Using combined detergent products (ex.3 in 1)

Some products integrated rinse aid work best specific programs only. You will obtain optimum rinsing and drying results by using conventional rinse aids.

The use of Dishwasher Tablet products may also cause the soap dispenser to remain shut, therefore failing to dispense the soap tablet.

These combined detergent products can alternatively be placed on the filter prior to starting the wash cycle.

Please contact the detergent manufacturer if the drying performance is very poor or you find the white film, when you use the combined detergent products.

The rinse aid dial should be set to minimum when using wash tablets with built in rinse aid.

Excessive rinse aid can cause foaming at the end of the wash.

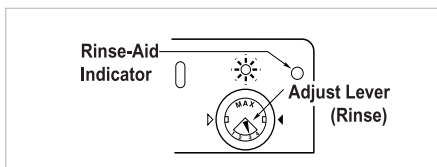
We do not warrant the complaints that are directly related to the use of these products. Do not use liquid rinse aid if using tablets containing a rinse aid agent.

## 6. Refilling

### ■ For refilling Rinse Aid

Depending on the dosage setting and the number of washes, the chamber may need to be topped up, approximately once a month. The rinse aid level can be checked by two methods.

- By the indicator window on the dispenser when the dishwasher door is fully open.
  - **Black indicates sufficient Rinse Aid**
  - **Clear indicates Rinse Aid required**



- By the light on the control panel, being lit, when the dishwasher is working on.

*When the lamp is lit, it means the rinse aid is almost empty. Refill the Rinse Aid chamber as soon as possible. Do not refill with rinse aid if using Detergent tablets that already have a rinse aid agent built in.*



## Rinse Aid Information

Rinse Aid is necessary to remove spots and streaks from dishes as well as improved drying. Using the correct amount will improve wash performance. However, using too much can produce excess foam leading to possible water leaks.

## **7. Drying**

- To assist drying, we recommend that the door be partially opened after the cycle. The display will indicate "Cd"(cool dry) for a further 30 minutes after the end of the cycle time. It can be interrupted or terminated by simply opening the door.
- The use of rinse aid is recommended for optimum drying results.
- Select the "Extra Hot" option to get the best drying results.
- If the "Eco 50 + Strong Spray Level" cycle is selected, the drying performance will be compromised as this course uses very little energy and will not create the residual heat required to dry the load completely.

## **8. Dual Wash**

- The spray intensity of the upper and lower racks can be adjusted separately depending on soil level or type of dishes loaded on each rack. For example by selecting Soft Spray for the upper rack and Strong Spray for the lower rack, you can wash delicate items like wine glasses on the upper rack while washing pots and pans on the lower rack.
- How to use Dual Wash
  1. Select **Dual Wash** course.
  2. Press **Half Load** key to choose **Upper** or **Lower**. Indicator Upper is default.
  3. Press **Spray** key to set the intensity for upper or lower rack.  
**(Strong/Medium/Soft)**  
Medium setting is the default.
  4. Select other options if required.
  5. Dishwasher starts after 10 seconds.



## ● **Press the “Power” button**

## ● **Check there is rinse aid**

The corresponding indicator lights will illuminate if refilling is required.

## ● **Open the door and check the filters**

Ensure they are clean and properly positioned (See “User Maintenance Instructions”).

## ● **Load the dishes**

Remove any excess food and debris from the items before loading them.

Pull the lower rack out and arrange the dishes and cutlery.

Pull the upper rack out and arrange the cups, glasses, etc.

### **▲ CAUTION**

To avoid the risk of tipping, do not load the upper rack while the lower rack is pulled out.

## ● **Ensure the spray arms can rotate freely**

## ● **Measure out detergent**

Add the required amount of detergent into the dispenser and close the lid.

## ● **Setting and starting the program**

Press the program button to select the desired program.

After 10 seconds, the machine will start.

If necessary, select the option function corresponding to the desired program.

The indicator lights of the program and all the phases of the program will come on.

Before starting, the display window shows the running time of the selected program.

After starting, the display window shows

the remaining time.

The remaining time may vary due to extraneous conditions.

The time in the display window will start to decrease minute by minute.

If the door is opened during the program a safety device ensures that the machine stops.

Once the door is re-closed the program will automatically start from where it was interrupted.

## ● **At the end of the washing program**

“End” is displayed on the digital display and a buzzer sounds.

And the dishwasher automatically switches off for safety and energy saving later.

If you selected “UV” function, the dishwasher automatically switches off after sterilizing action.

If you selected “Cool Dry” function, the display then shows “Cd” to indicate that the dishwasher is in “Cool Dry” mode.

And then the dishwasher automatically switches off later.

### **▲ CAUTION**

Empty the lower rack first and then the upper one; this will avoid water dripping from the upper rack onto the dishes below.

### **▲ WARNING**

In general it is not advisable to open the door while the machine is working.

If the door is opened, a safety device ensures that the machine stops.

Care must be taken if the door is opened during the hot phase or immediately after a program has finished, as steam may escape.

### **▲ CAUTION**

That the door should not be left in the open position since this could present a tripping hazard.

# P ROGRAM

- ▶ Running time may vary according to the water temperature, water pressure and voltage.
- ▶ Running time doesn't include "Cool Dry - 30min".

Program	Wash			Rinse		Dry	Cool Dry
	Pre Wash	Pre Wash2	Main Wash	Rinse	Heating Rinse		
Dual Wash		40℃	65℃		70℃		
Auto	<i>The program sequence is optimized and adapted in accordance with how dirty the dishes are.</i>						
Eco 50			45℃		50℃		
Gentle			40℃		70℃		
Quick			50℃		70℃		
Pre Wash							

## Dual Wash

This program is ideal for very dirty crockery, in particular pots, pans and casserole dishes.

This program will be able to control the water jet level of each spray arm differently.

※ For more information, refer to page 21.

## Auto Wash

During the Auto program, the degree of soiling in the dishes is determined by the amount of clouding of the water.

According to the degree of soiling, the program automatically adjusts the washing time, temperature, level of water jet and the number of rinses.

As a result, the energy and water consumption is kept as low as possible.

The "F" on display means that the sensor is sensing the status of the dishwasher.

The remaining wash time will then show after 10 minutes.

### Auto Restart

If the dishwasher is turned off by a power failure, it will restart from the position it stopped at adjusting accordingly when you press the **Power** button again.

## Eco 50

This program offers the most efficient energy and water consumption for a good washing performance on a moderately soiled load, but compromises the drying result as it uses very little energy.

## Gentle

This program is for washing delicate items like glasses.

## Quick

It is best suited for lightly soiled recently used dishes and cutlery.

When you select "Quick" program, the "Cool Dry" function will automatically engage for optimum drying results.

## Pre Wash

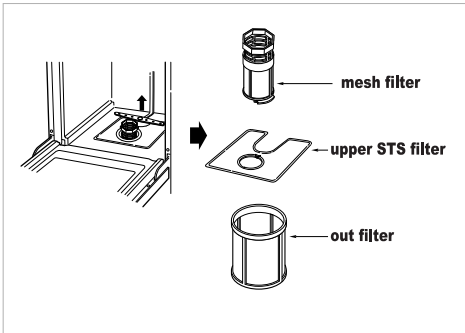
Can use this program for only removing soil before washing dishes by hand.

# USER MAINTENANCE INSTRUCTIONS

To prevent operating trouble, and poor washing results, it is important to check filters and spray arms at regular intervals.

## Filters

- Remove the lower rack first.
- Turn the mesh filter counterclockwise.
- Take out the mesh filter, upper STS filter and outer filter.
- Clean them if necessary.
- Replace them in the reverse order.



- After each cycle, clean the filter for the better washing result.
- Before starting, check that the filter is assembled well. If the filter is not assembled correctly, you might have a poor cleaning result.

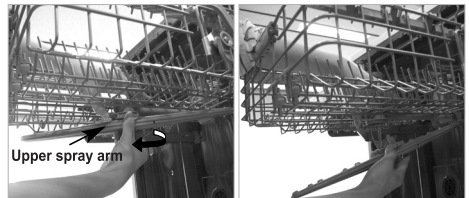
## Lower Spray Arm

- Check that the water jet holes are not blocked.
- If cleaning is required, remove the arm by pulling up.
- Clean the spray arm and replace it pushing down.



## Upper Spray Arm

- Pull the upper rack forwards.
- Check that the water jet holes are not blocked.
- If cleaning is required, remove the arm by unscrewing the nut.
- Clean the spray arm and replace it in the reverse order.





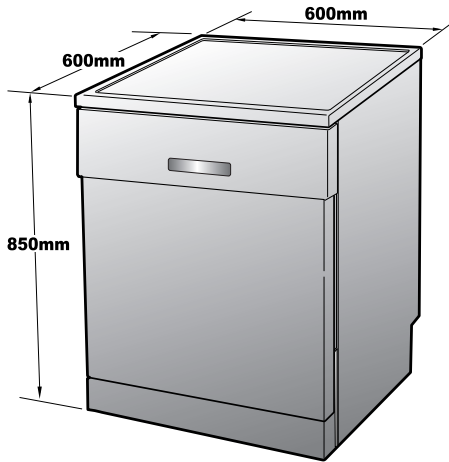
- If a problem occurs check below to see whether this can be solved.
- In the unlikely event that the problem cannot be rectified, please contact a service engineer.

Problem	Possible Causes	Solution
No lights come on when the power is turned on.	<ul style="list-style-type: none"> <li>• Plug is not properly inserted into the socket.</li> <li>• Fuses blown or circuit breaker tripped.</li> <li>• The electricity of the house was cut off.</li> </ul>	<ul style="list-style-type: none"> <li>• Check the plug.</li> <li>• Check the electricity.</li> <li>• Call for service.</li> </ul>
The machine does not start.	<ul style="list-style-type: none"> <li>• Door is not fully closed.</li> <li>• The start button is not pressed.</li> </ul>	<ul style="list-style-type: none"> <li>• Close the door.</li> <li>• Press the start button.</li> </ul>
The spray arms do not rotate smoothly.	<ul style="list-style-type: none"> <li>• The mounting of the spray arms is blocked by food particles.</li> </ul>	<ul style="list-style-type: none"> <li>• Clean the holes of the spray arm.</li> </ul>
White deposits are left on the dishwasher after washing.	<ul style="list-style-type: none"> <li>• The amount of detergent or rinse-aid set incorrectly.</li> </ul>	<ul style="list-style-type: none"> <li>• Check the detergent or rinse-aid.</li> </ul>
Streaks are left on glassware.	<ul style="list-style-type: none"> <li>• Too little Rinse-Aid dispensed.</li> </ul>	<ul style="list-style-type: none"> <li>• Fill the rinse-aid.</li> <li>• Adjust the level of the rinse aid dispenser.</li> </ul>
Dry results are not satisfactory.	<ul style="list-style-type: none"> <li>• Too little Rinse-Aid dispensed.</li> </ul>	
Washing results are not satisfactory.	<ul style="list-style-type: none"> <li>• Incorrect amount of detergent.</li> <li>• Utensils incorrectly arranged or overloaded.</li> <li>• Filters are clogged.</li> <li>• Water jet holes of spray arms blocked.</li> <li>• Spray arm's rotation obstructed by utensils.</li> <li>• Unsuitable program selected.</li> </ul>	

Problem	Possible Causes	Solution
The display shows "OE" code. (Water is not pumped away.)	<ul style="list-style-type: none"> <li>• The drain hose is kinked.</li> <li>• The filter is clogged.</li> <li>• Motor trouble. (Washing motor or Drain motor)</li> </ul>	<ul style="list-style-type: none"> <li>• Straighten hose(s).</li> <li>• Clean the filter.</li> <li>• If you can not solve the problem, call for service.</li> </ul>
The display shows "IE" code.	<ul style="list-style-type: none"> <li>• Water is not supplied.</li> <li>• Water tap is not opened.</li> <li>• Water sensor trouble.</li> </ul>	<ul style="list-style-type: none"> <li>• Check the water tap.</li> <li>• If you can not solve the problem, call for service.</li> </ul>
The display shows "EI" code. (Automatically Drain pump operated.)	<ul style="list-style-type: none"> <li>• Water is leaking from the hose connections.</li> <li>• Damage to the unit has been caused by a water leak.</li> </ul>	<ul style="list-style-type: none"> <li>• Close the water tap and unplug the power plug.</li> <li>• Call for service.</li> </ul>
The display shows "FE" code. (Automatically Drain pump operated.)	<ul style="list-style-type: none"> <li>• Excessive water is supplied over the normal water level.</li> <li>• There is a problem with the inlet valve.</li> </ul>	
The display shows "HE" code.	<ul style="list-style-type: none"> <li>• The water heater circuit is damaged.</li> </ul>	
The display shows "tE" code.	<ul style="list-style-type: none"> <li>• Thermistor trouble or very high inlet water temperature.</li> </ul>	
The display shows "LE" code.	<ul style="list-style-type: none"> <li>• Motor trouble.</li> </ul>	
The display shows "CE" code.	<ul style="list-style-type: none"> <li>• Motor trouble.</li> </ul>	

- These are not error codes indicating a malfunction.

Code	Description
The display shows "PF" code	This indicates there was a power failure. This function protects the dishwasher in the event the power goes out or the power to the unit is disrupted. When power is returned, and a button is pushed, this will display for 10 seconds and then go away.
The display shows "Cd" code	"Cd" means Cool-Dry. This is an additional drying cycle to assist drying performance in the 'Quick' course. This cycle runs for a further 30 minutes after the course has finished. It can be interrupted at any time by opening the door.
The display shows "St" code	"St" means Sanitary. This is an additional sanitary cycle using the UV function. This cycle runs for 4 hours and can be canceled at any time by turning the power off.
The display shows "CL" code	"CL" means Child-Lock. This function is used to lock or unlock the control buttons to prevent all the setting from being changed by a child. It can only be activated during the wash cycle. Refer to page 12 for Child Lock operation instructions.
The display shows "F" code	When the unit is displaying "F", the sensor is measuring the water clarity. After 5 minutes of sensing (except draining and filling), the unit's display will then show the processing time.
The display shows numbers between 1 ~ 19	This is not an error code, but indicates the setting of the delay start. To cancel the function, turn the power off. To change the course and option, open the door and select another course and option. Countdown will then continue after door is closed again.



Capacity	14 Place settings
Weight	See rating label
Power Supply	See rating label
Power Consumption	See rating label
Water Feed Pressure	0.05 ~ 0.6 MPa

The maximum permissible inlet water pressure,  
in megapascals

The minimum permissible inlet water pressure,  
in megapascals

(if this is necessary for the correct operation of the appliance)









You may also find user manual in video version at following link  
[www.guidelg.com/dishwasher](http://www.guidelg.com/dishwasher)