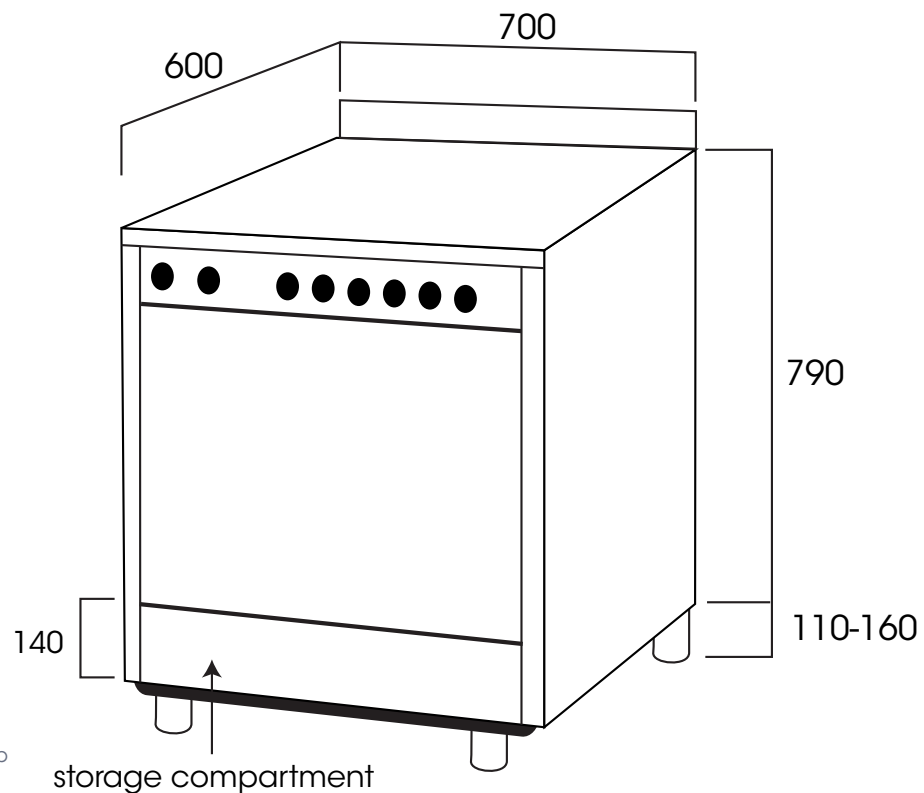
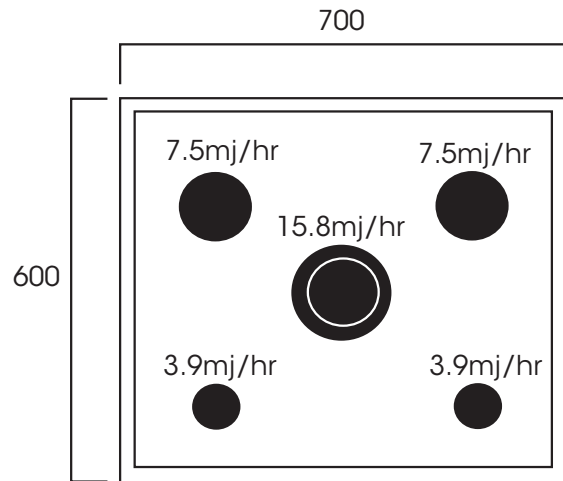




MULTIFUNCTION

| | | | |
|--------------|--------------|---------|-------|
| | | | |
| static grill | fan assisted | defrost | light |



| | |
|---------------------------|---|
| finish | stainless steel |
| dimensions | 700mmW x 598mmD x 790-950mmH (including fully-extended feet) |
| OVEN | |
| capacity | 65 litres net capacity |
| gas | 11.5mj/hr |
| installation | freestanding |
| multifunction | four functions |
| programmability | minute minder |
| lighting | single light |
| enamel | easy-clean, wipe-over enamel |
| cooling fan | tangential cooling fan |
| thermostat | temperature regulating thermostat 50-250°C |
| door | removable door, double glazing |
| furniture | 2 x baking tray 2 x chrome wire shelves heat-resistant tray handles |
| HOB | five gas burners — 1 x ultra-rapid (wok), 15.8mj/hr 2 x semi-rapid, 7.5mj/hr each 2 x auxiliary, 3.9mj/hr each |
| warranty | two years parts and labour |
| electricity supply | <ul style="list-style-type: none"> ■ 9 amps, 2100W ■ can be connected with 10 amp 3-pin plug, or hardwired ■ 220-240V, 50 Hz |