



finish	all white
size	850mmH x 595mmW x 540mmD
capacity	8kg dry weight washer 4kg dry weight equivalent dryer
wash programs (16)	cotton x 5 synthetics x 3 delicate x 3 wool x 3 quick program daily program cold program
wash temperatures (7)	cold, 30°, 35°, 40°, 60°, 75°, 90° Celsius, all preprogrammed
spin speeds (5)	no spin, 500, 800, 1000, 1200 rpm
delay start selection	one, two, four, eight hours
optional selections	prewash, intense wash, extra rinse
condenser drying consumption	40, 100, 120, 140, 200 minutes
warranty	60 litres, daily program at 40°C and 1200 rpm
	two years parts and labour

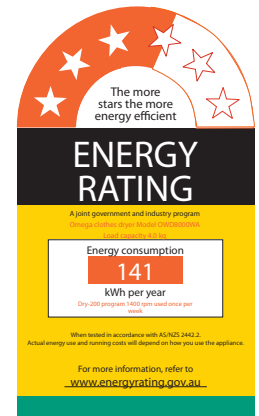
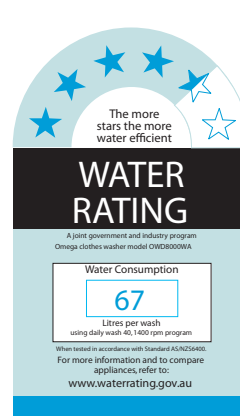
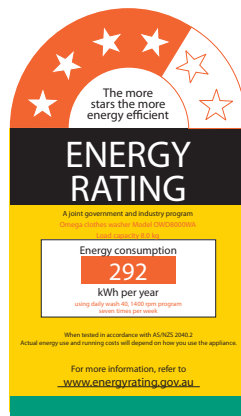
PLEASE NOTE

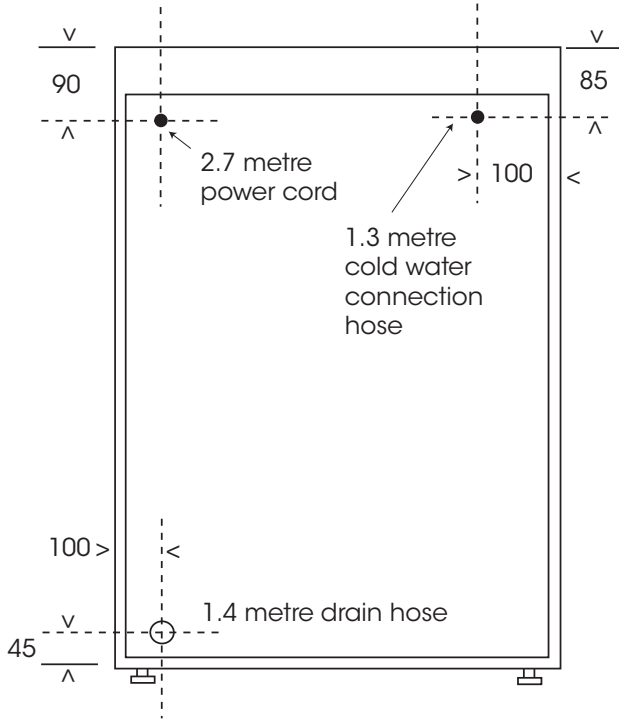
The Omega OWD8000WA washer condenser dryer is actually three distinct laundry specialists within one unit:

1. Independent 8kg capacity washing machine with preprogrammed wash temperatures and variable spin speeds. A delay start can also be selected.
2. Independent condenser dryer. Load a maximum of 4kg equivalent dry weight of wet or damp prewashed clothes for the perfect machine drying. The moisture is slowly condensed out of the clothes as opposed to the aggressive and abrasive drying and fabric-wearing of a vented air dryer.
3. Independent automatic 4kg capacity washing and drying. Simply load 4kg maximum dry weight of clothing and set the drying time. The drying mode will automatically start at the completion of the washing program.

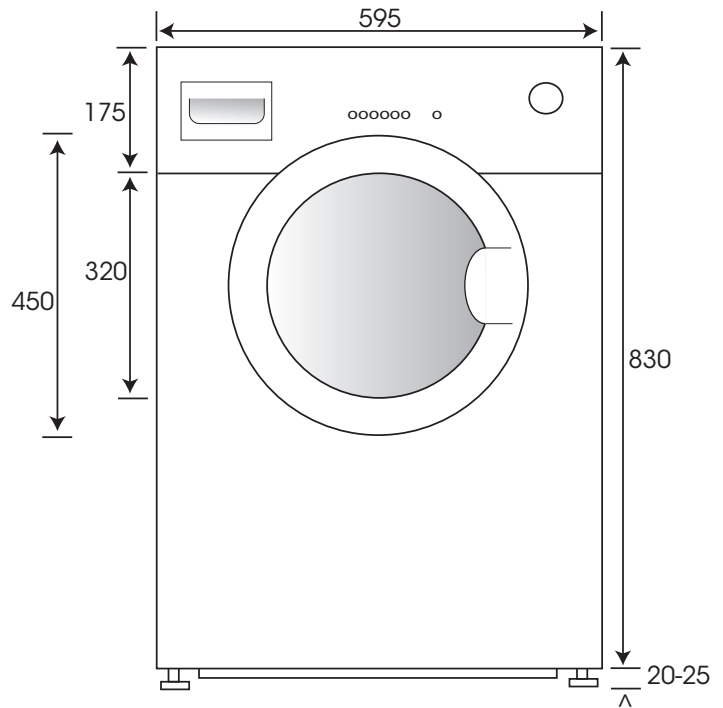
Delay start: By selecting a delay start time for either a wash program or the automatic wash and dry sequence, the time that the clothes actually sit in the drum after the finish of the program can be eliminated, or at least greatly diminished. This unnecessary resting phase can cause creasing. This timed finish can coincide with your time management. The faster the clothes are hung on a clothesline or hanger, the less ironing required.

Automatic sensing: The OWD8000WA is fitted with **Easy Logic** electronic sensing. Easy Logic automatically reduces wash time, water and power consumption according to the amount of clothing loaded into the drum.

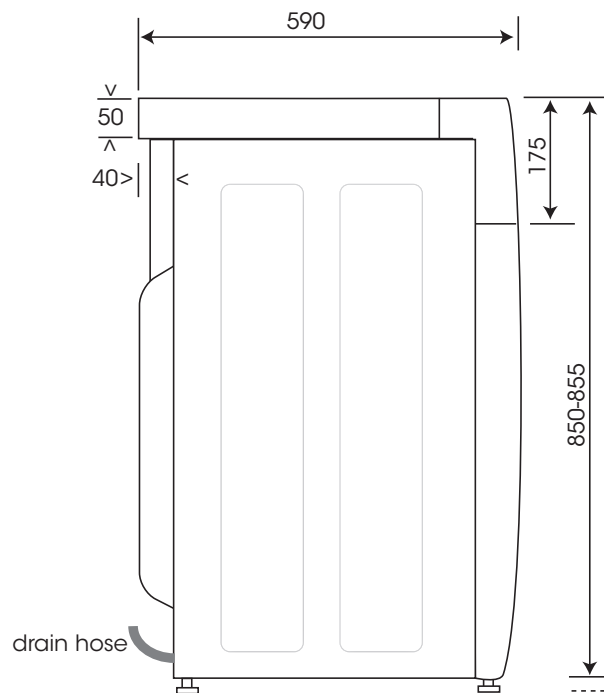




REAR ELEVATION — UTILITIES



FRONT ELEVATION



SIDE ELEVATION