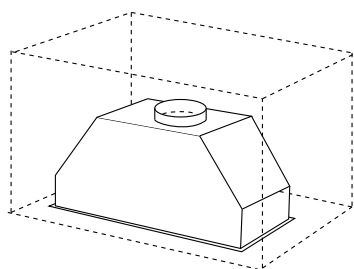


PASC5801 FPX rangehood

ID030608
code

54cm concealed rangehood, stainless steel, ASC fitted,
stainless steel filter



The PASC5801 FPX is a concealed canopy to be built into overhead cabinetry, whether it be wall, corner or island design

ASC

Automatic Sensing Control — by selecting this button, the PASC5801 automatically senses any vapours, smoke and odours caused by the cooking process and adjusts the speed of air extraction accordingly. The ASC will also sense and capture any abnormal presence of gas.

PERIPHERAL FILTER

This large continuous plate of stainless steel sits below the actual concealed grease filter and is easily noted by the air slots at its periphery. Air is very effectively drawn at high speed across the peripheral filter and through the slots towards the concealed grease filter. For cleaning, the peripheral filter hinges downward for easy access to and removal of the grease filter and/or charcoal filters.

APPLICATION

The PASC5801 FPX extraction/filtering unit is suitable for very varied installations. An island or wall-mounted canopy can be designed incorporating these rangehoods. Consider, as well, one of these units for a difficult situation such as a corner or, when renovating, the overhead cabinet widths are not the normal 60cm or 90cm, making more conventional rangehoods impractical. The completely concealed design might alone be the sole aspect of a decor solution.

PERFORMANCE

Highly-efficient air extraction of up to 700 cubic metres an hour true (net) ensures the very swift removal of cooking vapours, odours and heat. The higher speed selections are perfect for the more vigorous styles of cooking such as stir frying, griddle cooking and boiling, the lower speeds at the touch of a button are perfect for simmers.

QUIETNESS

39 to 57 dBA. The motor/impellor encasements are smooth-walled to minimise air drag and, hence, noise. All metal joints are welded to reduce vibration.

SAFETY

Thermal overload protection on motor, fire retardant hardened metal and mesh, VO self-extinguishing plastic for motor housing and internal flue.

MAINTENANCE

No tools required — easy lift-out pair of grease filters for washing. For light replacement, simply rotate the decorative flange for access to halogen globes.

dimensions	540mmW x 284mmD x 284mmH
finish	satın stainless steel
installation	concealed within cupboards or island bulkhead
motor	250 watt centrifugal, twin impellers, double-sided air uptake
capacity	700 ³ m/hr net
air extraction	duct direct to atmosphere or recirculate to kitchen, 150mm ducting required
noise rating	39–57 dBA
extraction	<ul style="list-style-type: none">• direct duct to atmosphere, 150mm ducting required• recirculate to kitchen, 150mm or 125mm diameter ducting required• 50/125mm ducting adaptor is supplied
illumination	two 20 watt halogen globes
speeds	four, progressive up/down buttons
delay stop	5-minute delay stop for fan & lights
cleaning prompt	<ul style="list-style-type: none">• 30-hour prompt to inspect grease filter• 120-hour prompt to inspect charcoal filters optionally fitted for recirculation installation
filtration	single stainless steel and aluminium 4-ply grease filter, removable and dishwasher safe
option	pair of activated charcoal filters to clip to either side of motor — optional fitment only for recirculation installation, part number for pair 08999801
warranty	two years parts and labour

DUCTING

Direct ducting to atmosphere ensures the maximum removal of grease/oil/particle-laden vapour plus the odours and, very importantly, the heat, resulting in a cleaner, cooler, more comfortable work area.

RECIRCULATION

When the cooking vapours cannot be ducted to atmosphere, the filtered air can simply be redirected back into the kitchen via a duct pipe through the overhead cabinetry.

CHARCOAL FILTERS

These are purchasable accessories. One each is clipped to either side of the centrifugal motor and are designed to absorb and diminish cooking odours. Periodic inspection is recommended before replacement. They are optionally used for recirculation only. The activated charcoal filters are not to be washed.

DUCTING MATERIAL

Smooth internal walled duct pipe lengths ensure the most efficient air movement and quieter operation. Consider either high temperature rated PVC or galvanised sheet metal piping. The flexible ducting can be ideal for a very short, tight run.

The rangehood's air exit aperture is designed for 150mm (6") ducting; however, a 125mm diameter (5") adaptor can be purchased for optional use.

DELAY STOP

Ideally, a rangehood should run for several minutes after all cooking is ceased in order to drag through residual vapours and odours. By selecting the delay stop button at the end of the cooking, the rangehood will turn the motor off in five minutes as well as the lights if they were left on.

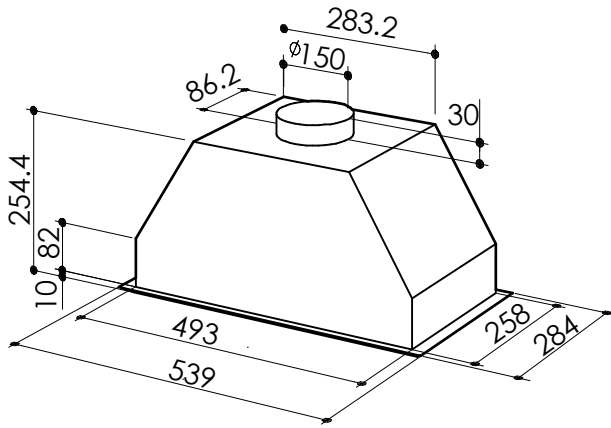
CLEANING PROMPT

After 30 hours use the LED window will prompt visually to inspect the grease filters for possible cleaning. Simply use the Reset button to clear the LED window.

PASC5801 FPX rangehood

ID030608
code

54cm concealed rangehood, stainless steel, ASC fitted, stainless steel filter



electricity supply 240 volt, 50 Hz
electrical connection 1.5 metre connected power cord for plugging to standard 10 amp GPO
wattage 250 watt motor
 2 x 20 watt halogen globes
 290 watts total
current 1.21 amps

packaged dimensions
gross weight
net weight

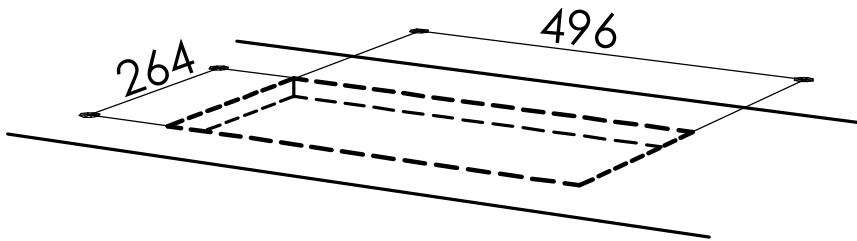
supplied

- instructions for installation, operation and maintenance
- screws
- 150/125mm diameter ducting adaptor

optional

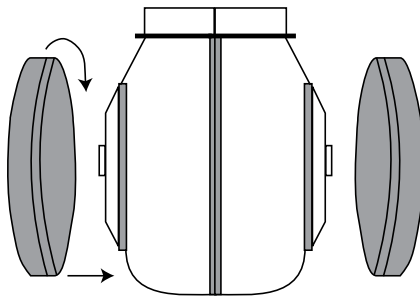
pair of activated charcoal filters for optional clipping to either side of the centrifugal motor in the recirculation installation only, part number for pair 08999801

cutout



SPEED	1	2	3	4
net air capacity m ³ /hr	300	465	600	700
pressure mm H ₂ O	34	41	43	46
wattage	125	150	190	250
noise dBA	39	48	54	57

The PASC5801 FPX concealed canopy to be built into overhead cabinetry whether it be wall, corner or island design



optional fitment of charcoal filters for recirculation installation

NB: drawings are not to scale — they are to assist only

WARNING: technical specifications and product sizes can be varied by the manufacturer without notice. Cutouts for appliances should only be by physical product measurements. The above information is indicative only.