

SA9065XS1 freestanding cooker, 90cm wide

90cm giant electric oven and five-burner gas hob with flame failure device



bakers function



convection



fan forced



fan grill



static grill



Canali knobs



dimensions: 900mmW x 600mmD x 900mmH

NB: height excludes fitted 63mmH rear splashguard.

NB: actual overall height can be adjusted — from 785mm without supplied telescopic legs to a maximum 925mm height with telescopic legs fitted. The cooker can be positioned on a kitchen cabinet plinth.

OVEN

- 121 litre oven
- 108 litre net cooking capacity
- five cooking functions
- twin fan forced — 2 x 2000 watt rear wall elements
- full programmable — digital
 - time of day*
 - fully automatic cooking*
 - semi automatic cooking*
 - minute minder*
 - manual override*
- double glazed, thermo-reflective door
- forced air door cooling
- Ever Clean enamel
- safety-notch trays and shelves
- 41 litre full-width storage compartment
- insulated control panel dials and door handle

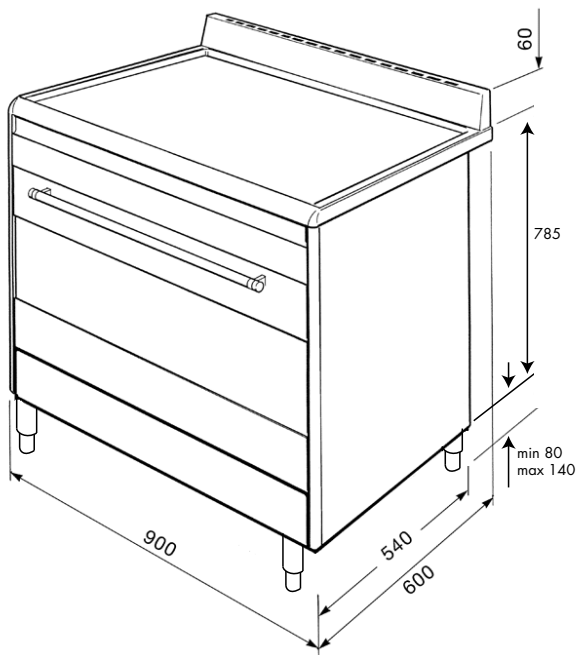
NB 63mm high rear splashguard supplied for optional fitment

Option: stainless steel splashback:
650mmH x 900mmW, code 14202

COOKTOP

- spacious five-burner hob, 43.3mj/hr maximum
- three heavy-duty cast-iron trivets
- flame failure device (FFD) fitted to each burner
- automatic electronic flame ignition
- ultra-rapid triple-crown all-purpose burner (wok)
- rapid burner
- two semi-rapid burners
- one low-simmer auxiliary burner
- single-pressed stainless steel hob with rolled edging
- no metal joints eliminates difficult grime accumulation
- satin stainless steel finish
- set for natural gas, regulator supplied
- ULPG adaptable, test point supplied
- 60mm high splashguard supplied (optional fitment to rear of cooktop zone)
- burner skirts, burner caps removable for easy maintenance

SA9065XS1 freestanding cooker, 90cm wide



height minimum 785mm without legs, maximum 925mm with legs fully extended and excluding 63mmH rear splashguard

width 898mm

depth 600mm

net weight 74kg

gross weight 80kg

OVEN

internal oven dimensions 350mmH x 770mmW x 450mmD = 121.3 litres

net cooking dimensions 340mmH x 750mmW x 420mmD = 107.8 litres

storage compartment 760mmW x 450mmD x 120mmH = 41 litres

electricity supply 240 volt, 50 Hz

electrical connection hard-wired single phase

maximum current 18.67 amp

HOB

supplied 43.3 mj/hour maximum over five burners

- three heavy-duty cast-iron trivets for full gas hob cover
- 60mmH x 898mmW splashguard for rear of hob, optional fitment
- baking/grill tray
- two chromed-wire shelves
- one teflon biscuit tray
- 4 x telescopic legs

gas connection

1/2" BSP gas inlet connection
 1/2" BSP 1.0 kPa natural gas, regulator supplied
 adapt for ULPG — test point supplied



Burners

1	Auxiliary
2	Semi rapid
3	Rapid
4	Wok

element	roof		floor	rear wall	rear wall fan (2)	cooling fan	light (2)	maximum wattage	current amp
	inner	outer							
wattage	1600	1200	1800	1500x2	25x2	20	15x2		
static grill	•	•				•	•	2850	11.88
fan grill	•	•			•	•	•	2900	12.09
convection		•	•			•	•	3050	12.71
fan forced				•	•	•	•	3080	12.84
bakers function		700	700	•	•	•	•	4480	18.67

NB: drawings are not to scale — they are to be used as a guide only.