



Armoire à vin.

Beverage Preservation Technology

USER MANUAL

40BVC

AL-V40BVC

WARNING

The information in this document is subject to modification without any prior notice.

VINTEC offers no guarantee for our Beverage Center if it is being used for any purpose other than that for which it was specifically designed. VINTEC cannot be held responsible for any error in this manual. VINTEC is not responsible or liable for any spoilage or damage to beverage or any other contents incidental or consequential to possible defects of the Beverage Center. Warranty applies to the Beverage Center only and not to the content of the Beverage Center.

This appliance is not intended for use by persons (including children) with reduced physical, sensory or mental capabilities, or lack of experience and knowledge, unless they have been given supervision or instruction concerning use of the appliance by a person responsible for their safety.

Children should be supervised to ensure that they do not play with the appliance.

R600A WARNINGS

The following models use small quantity of R600A (iso-butane) flammable refrigerant in their sealed system as follow:

AL-V40BVC – 35grams

For your safety observe the following recommendations.

- This appliance contains a small quantity of R600A refrigerant which is environmentally friendly, but flammable. It does not damage the ozone layer, nor does it increase the greenhouse effect.
- During transportation and installation, ensure that the tubing of the refrigerant circuit is not damaged.
- **Avoid using or manipulating sharp objects nearby the appliances.**
- Leaking refrigerant can ignite and may damage the eyes.
- In the event any damage does occur, avoid exposure to open fires and any device which creates a spark. Disconnect the appliance from the mains power.
- Thoroughly ventilate the room in which the appliance is located for several minutes.
- Notify Customer Service for necessary action and advice.
- The room for installing the appliance must be at least 1 cubic metre per 8 grams of refrigerant. The refrigerant quantity contained in this appliance is listed above in grams; it is also noted on the Rating Plate of the appliance.

It is hazardous for anyone other than an Authorised Service Person to carry out servicing or repairs to this appliance. In Queensland the authorized person must hold a Gas Work Authorisation for hydrocarbon refrigerants, before carrying out servicing or repairs which involve the removal of covers.

– WARNING: Keep ventilation openings, in the appliance enclosure or in the built-in structure, clear of obstruction.

– WARNING: Do not use mechanical devices or other means to accelerate the defrosting process, other than those recommended by the manufacturer.

– WARNING: Do not damage the refrigerant circuit.

– WARNING: Do not use electrical appliances inside the food storage compartments of the appliance, unless they are of the type recommended by the manufacturer.

The environment and personal safety must be considered when disposing of this appliance. Please ensure the appliance is taken to a recycle center for safe recycling. **DO NOT** dispose of the appliance in land fill as the insulation and refrigerant gas contained in these appliances are flammable.

Allow 24 hours before switching on the Beverage Center. During this time we recommend that you leave the door open to clear any residual odors.

BEFORE LOADING & PLUGGING IN THE BEVERAGE CENTER

Important: All models without front venting (air opening) are strictly for free standing only. (see technical chart)

Recommendations:

The location you have selected for your Beverage Center should:

- be unencumbered and well ventilated;
- be well away from any heat source and direct sunlight;
- not be too damp (laundry, pantry, bathroom etc.);
- have a flat floor,
- have a standard and reliable electricity supply (standard socket to country standards, linked to the ground), it is NOT recommended to use a multi-socket or extension lead.
- have a surge protector fitted to the electrical outlet
- away from the microwave.

Certain microwave ovens do not have wave interference shield. When placed within a 1 meter vicinity of the Beverage cabinet, they may affect the operation of the Beverage cabinet.

The Beverage Center should be placed where the ambient temperature is between 5°C to 35°C. If the ambient temperature is above or below this range, the performance of the unit may be affected. Placing your unit in extreme cold or hot conditions may cause interior temperatures to fluctuate. The ideal range of temperature may not be reached. (See Climate Class at the end of this manual)

Grounding instructions

The Beverage Center must be grounded in case of an electrical short circuit. Grounding reduces the risk of electrical shock. The Beverage Center is equipped with a power cord having a grounding wire and plug. The Beverage Center plug must be plugged into a properly affixed and grounded electrical outlet.

Note: *In locations where there is frequent lightning, it is advisable to use surge protectors.*

Improper use of the grounding plug can result in the risk of electric shock. Consult a qualified electrician or service person if the grounding instructions are not completely understood.

If the supply cord is damaged, it must be replaced by a qualified person in order to avoid electrical hazard.

Installing your Beverage Center

Unpack and remove all of the protection and adhesive strips from the packaging around and inside the Beverage Center.

The Beverage Center must be positioned such that the plug is accessible. Release the power cord. Move your Beverage Center to its final location. The Beverage Center should be installed in a suitable place where the compressor will not be subject to physical contact.

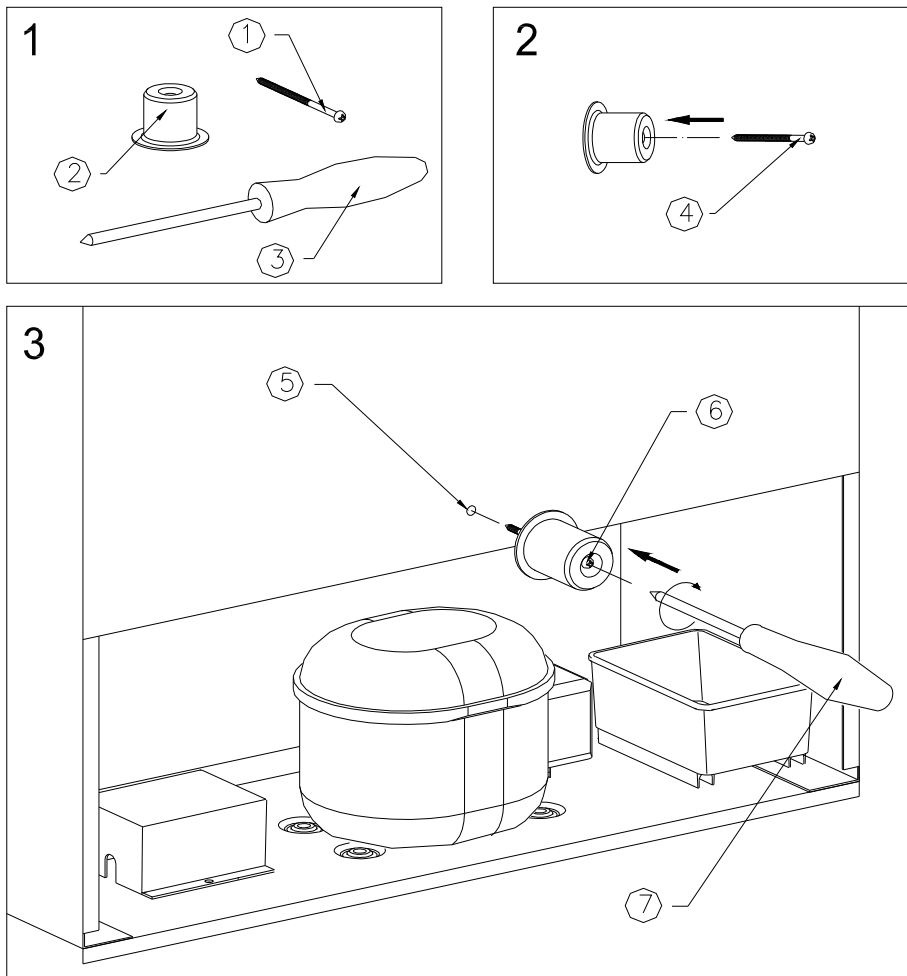
Leveling your Beverage Center: Beverage Center must be leveled BEFORE loading your Beverage.

Your Vintec Beverage Center is equipped with 4 adjustable feet to facilitate easy leveling. **VINTEC** recommends that you tighten the back feet to the maximum and adjust the front feet to create a level.

Back spacer:

Compressor run appliances require proper ventilation for proper and longer usage. Your Vintec Beverage Center is supplied with a back spacer. Affix the back spacer at the back of air circulation and heat evacuation.

INSTALLATION OF BACK SPACER



IMPORTANT - THIS SPACER MUST BE ATTACHED TO THE UNIT BEFORE INSTALLATION FOR VENTILATION PURPOSE. FAILURE TO DO SO VOIDS THE WARRANTY

TURNING ON YOUR BEVERAGE CENTER

Plug in and switch on the unit by pressing on the power button **for a few seconds**. When you use the Beverage Center for the first time (or restart the Beverage Center after having it shut off for a long time), there will be a few degrees, variance between the temperature you have selected and the one indicated on the LED readout. This is normal and it is due to the length of the activation time. Once the Beverage Center is running for a few hours everything will stabilize.

Important: If the unit is unplugged, power is lost, or turned off, wait 5 minutes before restarting the unit. The Beverage Center will not start if you attempt to restart before this time delay.

Operating Noises

To reach the desired temperature settings, **VINTEC** Beverage Center, like all Beverage Center operating with compressors and fans, may produce the following types of noises. These noises are normal and occur as follows:

- Gurgling sound, caused by the refrigerant flowing through the appliance's coils,
- Cracking/popping sounds, resulting from the contraction and expansion of the refrigerant gas to produce cold,
- Fan operating sound, to circulate the air within the Beverage Center.

*An individual's perception of noise is directly linked to the environment in which the Beverage Center is located, as well the specific type of models. **VINTEC** Beverage Center are in line with international standards for such appliance. **VINTEC** will always do its utmost to satisfy its customers but will not retake possession of the goods due to complaints based on normal operating noise occurrences.*

LOADING YOUR BEVERAGE CENTER

You may load your Beverage bottles in single or double rows while taking note of the following: if you do not have enough bottles to fill your Beverage Center, it is better to distribute the load throughout the Beverage Center so as to avoid "all on top" or "all below" type loads.

- Do not remove or relocate adjustable shelves to accommodate larger type of bottles or increase the capacity of the cellar by stacking the bottles up when necessary. (See removing shelves)
- Keep small gap between the walls and the bottles to allow air circulation. Like an underground cellar air circulation is important to prevent mould and for a better homogeneous temperature within the cellar.



- Do not over load your Beverage Center to facilitate air circulation
- Avoid obstructing the internal fans (located inside on the back panel of the Beverage Center).
- Do not try to slide the shelves outwards beyond the fixed position to prevent the bottles from falling.
- Do not pull out more than one loaded shelf at a time as this may cause the Beverage Center to tilt forward.
- Do not cover the shelves with alloy foil or other materials, as it will obstruct air circulation.
- Do not move your Beverage Center while it is loaded with beverage. This might distort the body of the Beverage Center and cause back injury.

TYPES OF REGULATION

Please note that depending on the loading and settings chosen it takes 24hours for the Beverage Center to see the temperature stabilizing.

During this time LED seems to move erratically. It is a normal process. This process occurs whenever the setting is modified and/or whenever a large amount of bottles are added to the unit.

TEMPERATURE SETTINGS

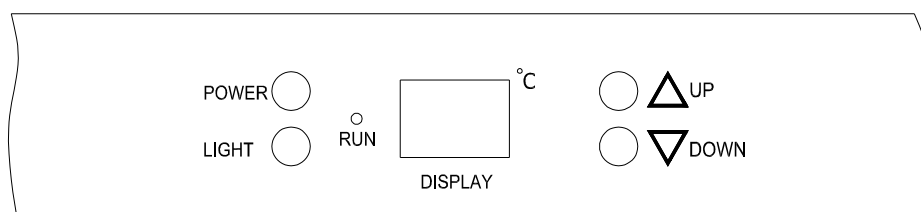
Important: The LCD displays by default the actual internal air temperature.

The temperature settings are pre-set at the factory setting of 5 °C. In the event of a power interruption, all previous temperature settings are automatically erased and it will revert to the preset temperature settings.

It is important to understand that there is a difference between the air temperature inside the Beverage Center and the actual temperature of the Beverage: You will need to wait approximately 12 hours before noticing the effects of temperature adjustment due to the critical mass within a full Beverage Center.

Once the thermostat is set, it is strongly advised not to toy with it or adjust frequently. The thermostat will maintain the temperature inside the Beverage Center within a +/- 2.5°C range. But the thermal inertia of the Beverage and the glass is such that within this temperature range, the actual temperature of the Beverage will only fluctuate 0.5°C to 1°C.

The controls of your beverage center



Adjust the desired cooling temperature by pressing the UP or DOWN buttons. Each depression of the buttons will scroll through the available temperature settings in increments of 1 degree Celsius. The temperature setting can be adjusted from 2□ to 10□. To visualize the “set” temperature, press and hold the UP or DOWN buttons, the “set” temperature will temporarily “flash” in the LED display for 5 seconds.

DEFROSTING/CONDENSATION/ HYGROMETRY/ VENTILATION

Your beverage center is designed with “Auto-cycle” defrost system. During “Off-cycle” the refrigerated surfaces of the beverage center defrost automatically. Defrost water from the beverage center storage compartment drains automatically and part of it goes into a drainage container, which is located at the back of the beverage center next to the compressor. The heat is transferred from the compressor and evaporates any condensation that has collected in the pan. Part of the remaining water is collected within the beverage center for humidity purposes.

This system enables the creation of the correct humidity level inside your beverage center required by the natural cork to maintain a long lasting seal.

Notes: *The water collected by condensation, is therefore recycled. Under extremely dry environmental conditions, you may have to add some water into the water container provided with your beverage center.*

All units are equipped with a double glazed glass door that has a third internal acrylic layer to minimize condensation on the glass door.

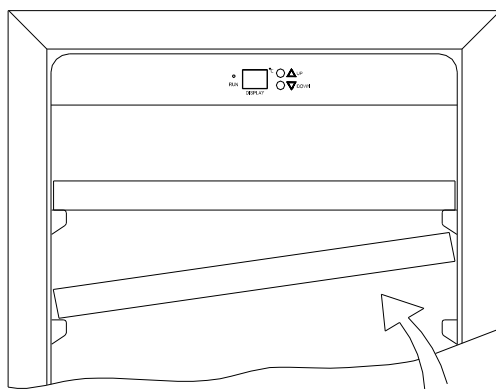
The beverage center is not totally sealed; fresh air admission is permitted through the drainpipe. Air is circulated through the unit by means of a fan/fans and the hollow shelves.

Notes: *During the refrigerating cycle, heat is given off and disperse through the external surfaces of the beverage center. Avoid touching the surfaces during those cycles.*

ADJUSTABLE SHELVES

Adjusting/removing the shelves

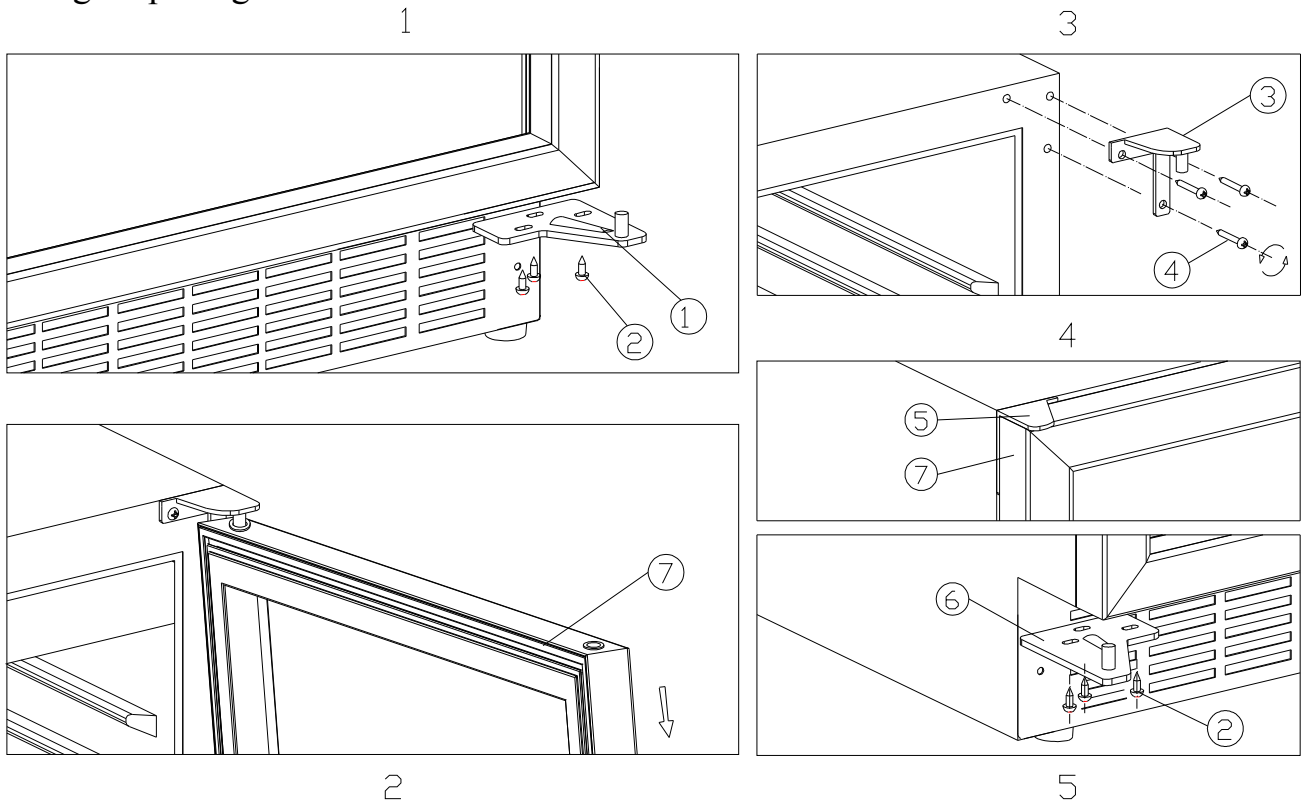
When removing any of these shelves out of the rail compartment, To fit or remove the shelf, tilt the shelf as per the diagram and simply pull out, or push in the shelf until it sits on the support brackets securely.



REVERSIBILITY OF THE DOOR

Warning: To avoid accident during the process of changing the door, we recommend that you get assistance. Door is heavy and may cause injury if dropped.

According the model and the type of handle your beverage cabinet is equipped with, such as long strait bar handle , the door might needs to be rotated for 180 degrees or changed for a right opening one.



1 Lower hinge (Right)
4 Lock Screws
7 Door

2 Lock screws
5 Top hinge (Left)

3 Top hinge (Right)
6 Lower hinge (Left)

- **While holding the door firmly**, remove the three lock screws (2) from the lower right hinge module, and remove it. (Fig.1)
- Remove the three lock screws (4) from the top right hinge and remove the hinge (3) . (Fig.3)
- Fix the top left hinge (5) at the top left corner with the three lock screws (4) . (Fig.4)
- **While holding the door**, insert the axis core into the door's (7) upper left hinge's hole. Fix the left bottom hinges by inserting the axis core first into the door's lower left hinge's hole (6). Then tie the lower left hinge to finish the door replacement. (Fig. 5)

INSTALLATION INSTRUCTIONS AND DRAWINGS

1. Wine Cabinet dimensions :

Height 820mm – 860mm (40mm adjustable feet)

Width 595mm

Depth 571mm

2. This wine cabinet is not designed to be fully integrated behind a joinery door.

3. Please note that a minimum cut out of 615mm is required to facilitate installation, removal and servicing.

4. This wine cabinet requires 10mm clearance on both sides and top, 30mm clearance at the rear. Where possible a ventilation grid should be installed in the 30mm clearance at the rear (either in the sides, top or back of the joinery). Minimum grid size is 200mm x 40mm.

5. This wine cabinet is front venting. The wine cabinet draws air from the rear and expels through the metal grid under the door at the front. If a kick board is to be placed in front of the ventilation grid another grill must be fitted into the kick board with a minimum air flow allowance of 150cm².

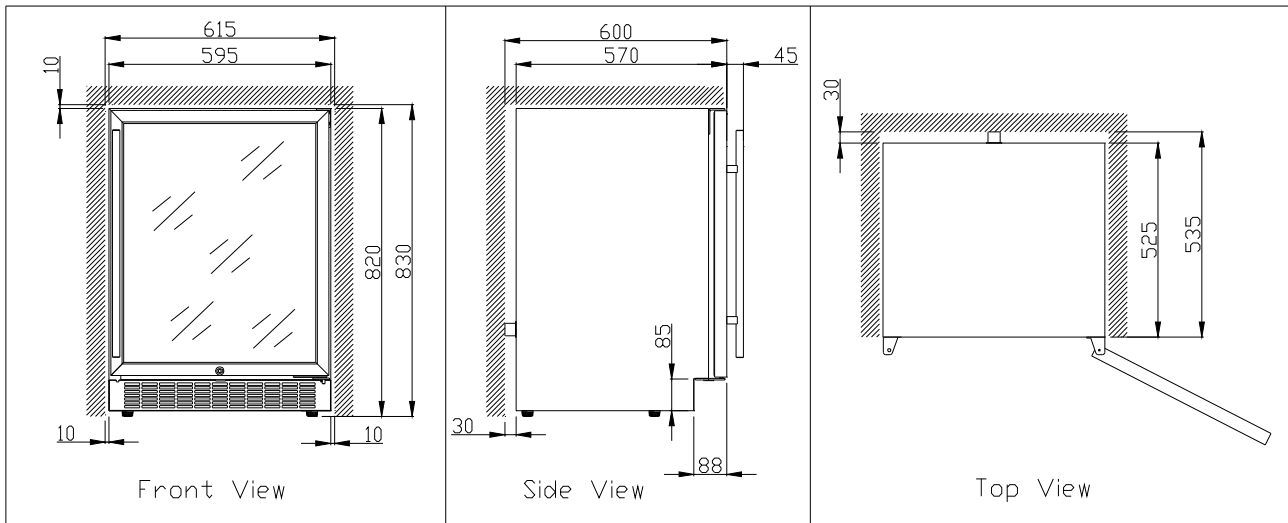
6. This wine cabinet has a power switch located on the control panel so power point location is not critical.

7. This wine cabinet requires a standard 240 volt/10 amp power point. (Or other according to each country specifications)

8. The power cord is 1.9m in length and is fixed on the right side at the back when looking from front of cabinet.

9. As with most appliances of today, this cabinet has sensitive electronic components which are susceptible to damage through lightning and electricity supply faults. It is therefore advised to use a power surge protector to avoid problems of this nature.

Dimensional drawings:



OPERATION ANOMALIES

Ensure that there is power to the electrical supply plug by connecting another electrical appliance to it. Check fuse, if any. Make sure that the door is closed properly.

If your beverage center appears to be malfunctioning, unplug it and contact your **VINTEC's** after sales service. Any intervention on the cold circuit should be performed by a refrigeration technician who should carry out an inspection of the circuit sealing system. Similarly, any intervention on the electrical circuit should be performed by a qualified electrician.

Notes : *Any intervention performed by a non-technician will lead to the warranty being considered as null and void.*

POWER FAILURES

In the event of a power interruption, all previous temperature settings are automatically erased and it will revert to a preset temperature setting . (see preset chart)

Most power failures are corrected within a short period of time. An hour or two's loss of power will not affect your beverage center temperatures. To avoid sudden change of temperature while the power is off, you should avoid opening the door. For longer period of power failure, do take steps to protect your beverage.

Irrespective of the cause, if you notice either abnormal temperature or humidity levels inside your beverage center, be reassured that only long and frequent exposure to these abnormal conditions can cause a detrimental effect on your beverage.

TROUBLESHOOTING GUIDE

Common problems may easily be solved, saving you the cost of a possible service call. Please read carefully the instruction manual and revert to troubleshooting guide chart.

PROBLEM	POSSIBLE CAUSE
Beverage center does not operate.	Not plugged in. The appliance is turned off. The circuit breaker tripped or the fuse is broken.
Beverage center is not cold enough.	Check the temperature control setting. External environment may require a higher setting. The door is opened too often. The door is not closed completely. The door gasket does not seal properly.
Turns on and off frequently.	The room temperature is hotter than normal. A large amount of contents has been added to the Beverage center. The door is opened too often. The door is not closed completely. The temperature control is not set correctly. The door gasket does not seal properly.
The light does not work.	Not plugged in. The circuit breaker tripped or a blown fuse. The light is out of order. The light button is "OFF".
Vibrations.	Check to assure that the Beverage Center is level.
The Beverage center seems to make too much noise.	The rattling noise may come from the flow of the refrigerant, which is normal. As each cycle ends, you may hear gurgling sounds caused by the flow of refrigerant in your Beverage center. Contraction and expansion of the inside walls may cause popping and crackling noises. The Beverage Center is not level.
The door will not close properly.	The Beverage Center is not level. The door was reversed and not properly installed. The gasket is faulty. (magnet or rubber is spoiled) The shelves are out of position.

Technical data	40BVC (R134a)	AL-V40BVC (R600a)
Models		
Capacity	126	126
Net capacity	137L	137L
Gas charge quantity	55grams	35 grams
Pre-set temp in degrees	5	5
Adjustable temp in degrees	2-10	2-10
Power Input	140W	100W
Heater	--	--
Freestanding or Built-in	Built-in	Built-in
No.of shelf: (*)	3	3
Ambient temp in degrees	18-35	18-35
Climate Class	T	T
Net dim in mm (WxDxH)	595x572x820	595x572x820
Gross dim in mm (WxDxH)	655x665x875	655x665x875
Net weight	44 kgs	44 kgs
Gross weight	48 kgs	48 kgs
Refrigerant	R134a	R600a

(*) Subject to changes accordingly to various references and models modifications.

<u>Standard features:</u>
Compressor operated: R134a or R600a
- Available in rated voltage/frequency (as per country's requirements): 100V/50/60Hz, 220V/50/60Hz, 115V/50Hz
- Automatic defrost
- Humidity : 65% RH +/-10% RH
- Black outer and inner finish
- Internal light
- Adjustable feet x 4
- Double glass door with 3rd acrylic layer
- Glass door frame is available in stainless steel or alloy or black plastic finish
* Based on carton box packing dimensions/weight



Copyright: All rights are reserved. All photocopying, reproduction, translation whether partial or total are strictly prohibited, without prior written consent from **VINTEC**.

www.vintec-cellar.com

