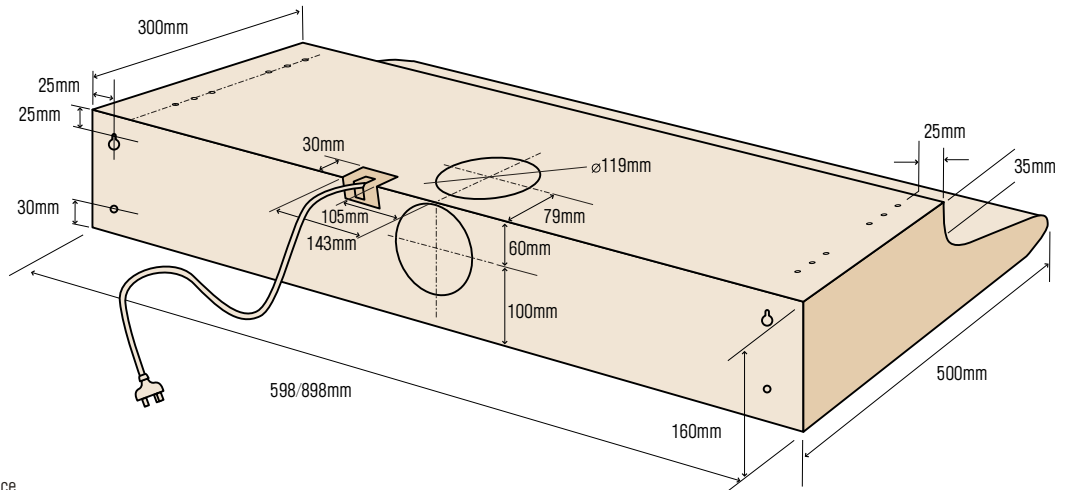
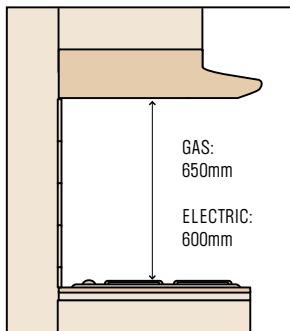


## FIXED RANGEHOODS

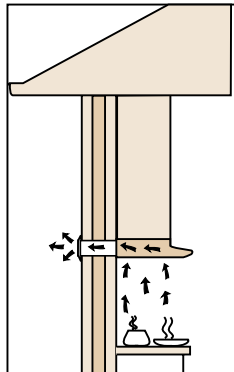
models: WRJ600UW, WRJ600UK, WRJ600US, WRJ603UW, WRJ611US, WRJ900UW, WRJ900US, WRJ903UW, WRJ903UK, WRJ911US



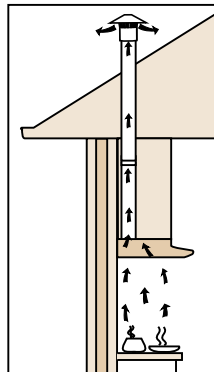
Minimum distance of hood above hob



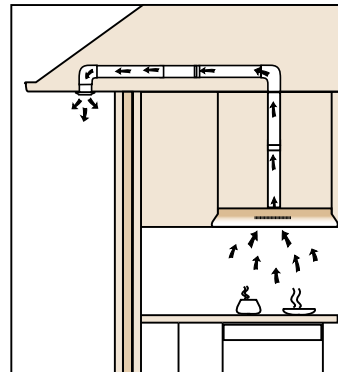
Rear Exhaust to atmosphere



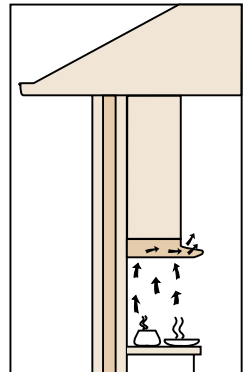
Top Exhaust to atmosphere



Side Exhaust to atmosphere



Front Recirculating Exhaust\*

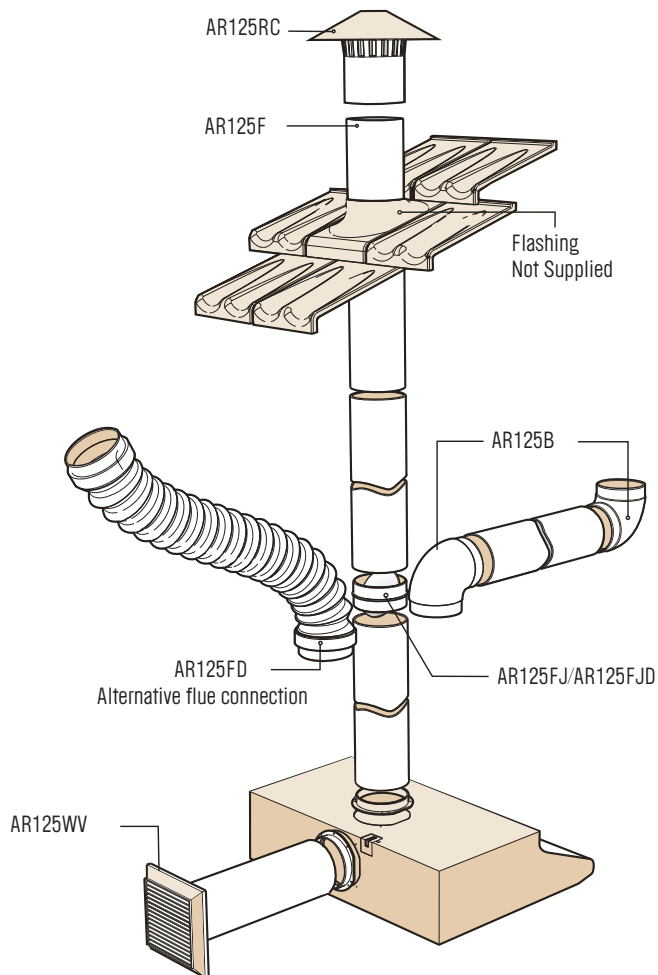


\* In recirculating mode you must use carbon filters to eliminate cooking smells. (Model No. ARCFD)

All measurements in millimetres.

# FIXED RANGEHOODS

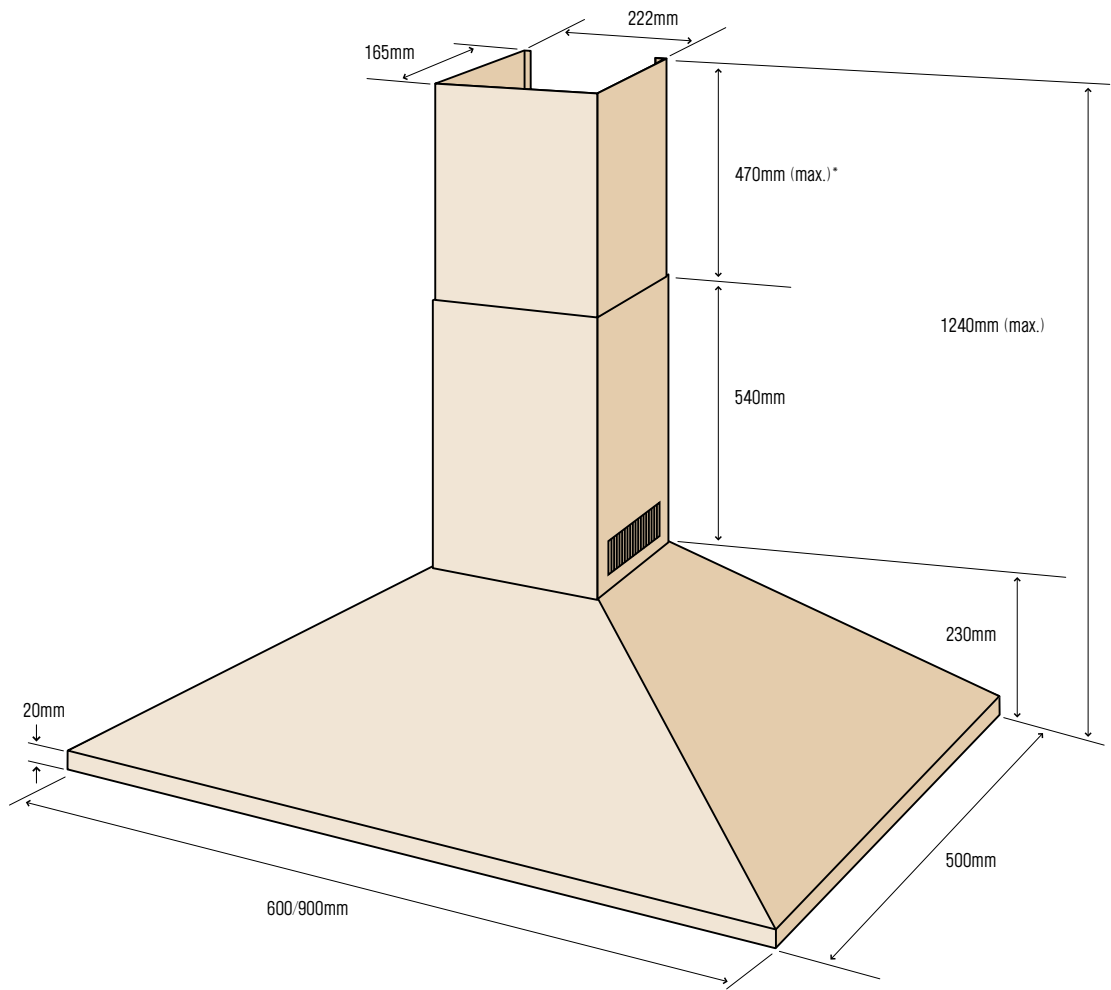
models: WRJ600UW, WRJ600UK, WRJ600US, WRJ603UW, WRJ611US, WRJ900UW, WRJ900US, WRJ903UW, WRJ903UK, WRJ911US



part numbers	description
AR125RC	Roof Cowl
AR125B	90° Bend
AR125F	Flue 1200mm Long
AR125FD	Flexible Duct – 1 metre long when expanded
AR125WV	Wall Vent Kit
AR125FJ	Flue Joiner without damper
AR125FJD	Flue Joiner with damper
ARCFD (not illustrated)	Replacement Carbon Filters

# CANOPY RANGEHOODS

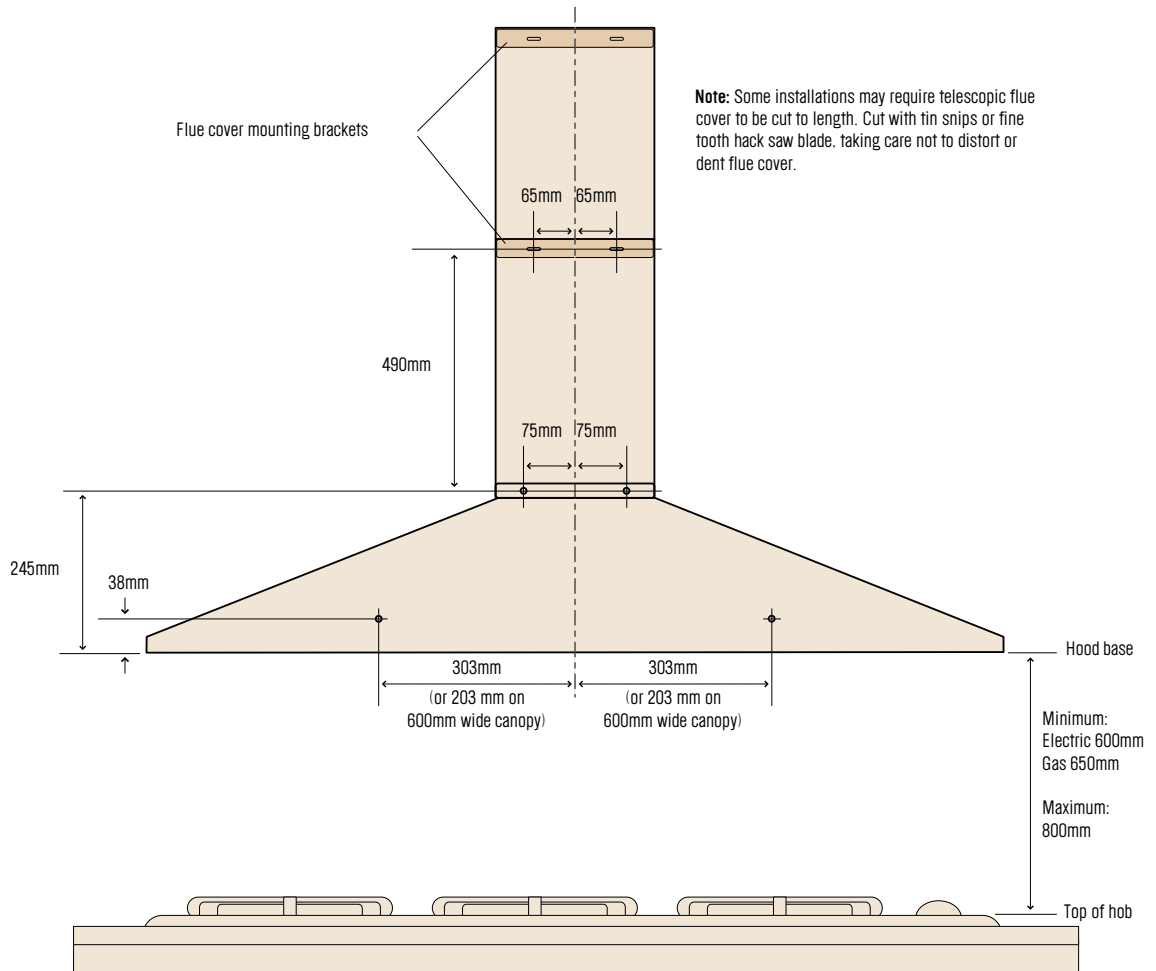
models: WRF600CS, WRF900CS, WRG630CS, WRG930CS, WRG630CW, WRG930CW



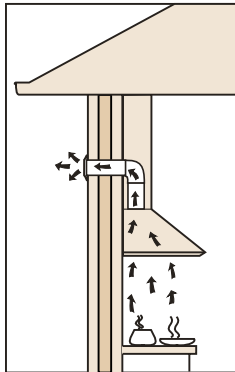
\*1100mm extension flue cover is available if required where high ceilings are present.  
(Model No. AR500FS or AR500FW)  
All measurements in millimetres.

## CANOPY RANGEHOODS

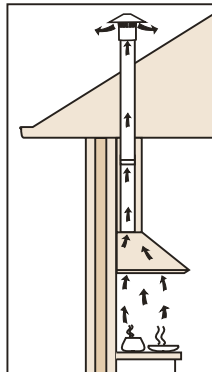
models: WRF600CS, WRF900CS, WRG630CS, WRG930CS, WRG630CW, WRG930CW



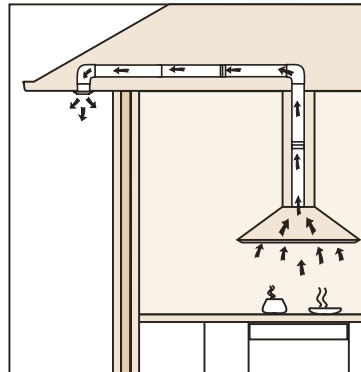
Rear Exhaust to atmosphere



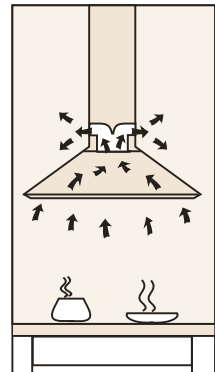
Top Exhaust to atmosphere



Side Exhaust to atmosphere



Recirculating Exhaust\*#



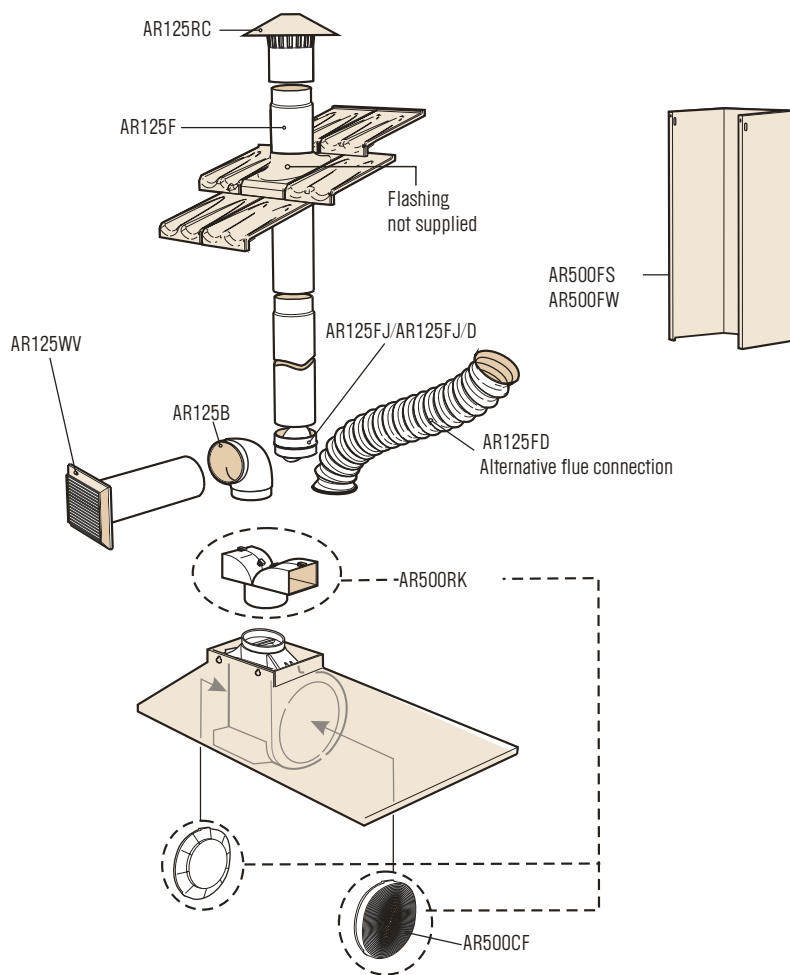
\* In recirculating mode you must use a recirculating kit which includes carbon filters to eliminate cooking smells. (Model No. AR500RK)

# WRG630 and WRG 930 models are supplied with a recirculating t-piece, although you must use carbon filters to remove cooking smells. (Model No. AR500CF)

All measurements in millimetres.

# CANOPY RANGEHOODS

models: WRF600CS, WRF900CS, WRG630CS, WRG930CS, WRG630CW, WRG930CW

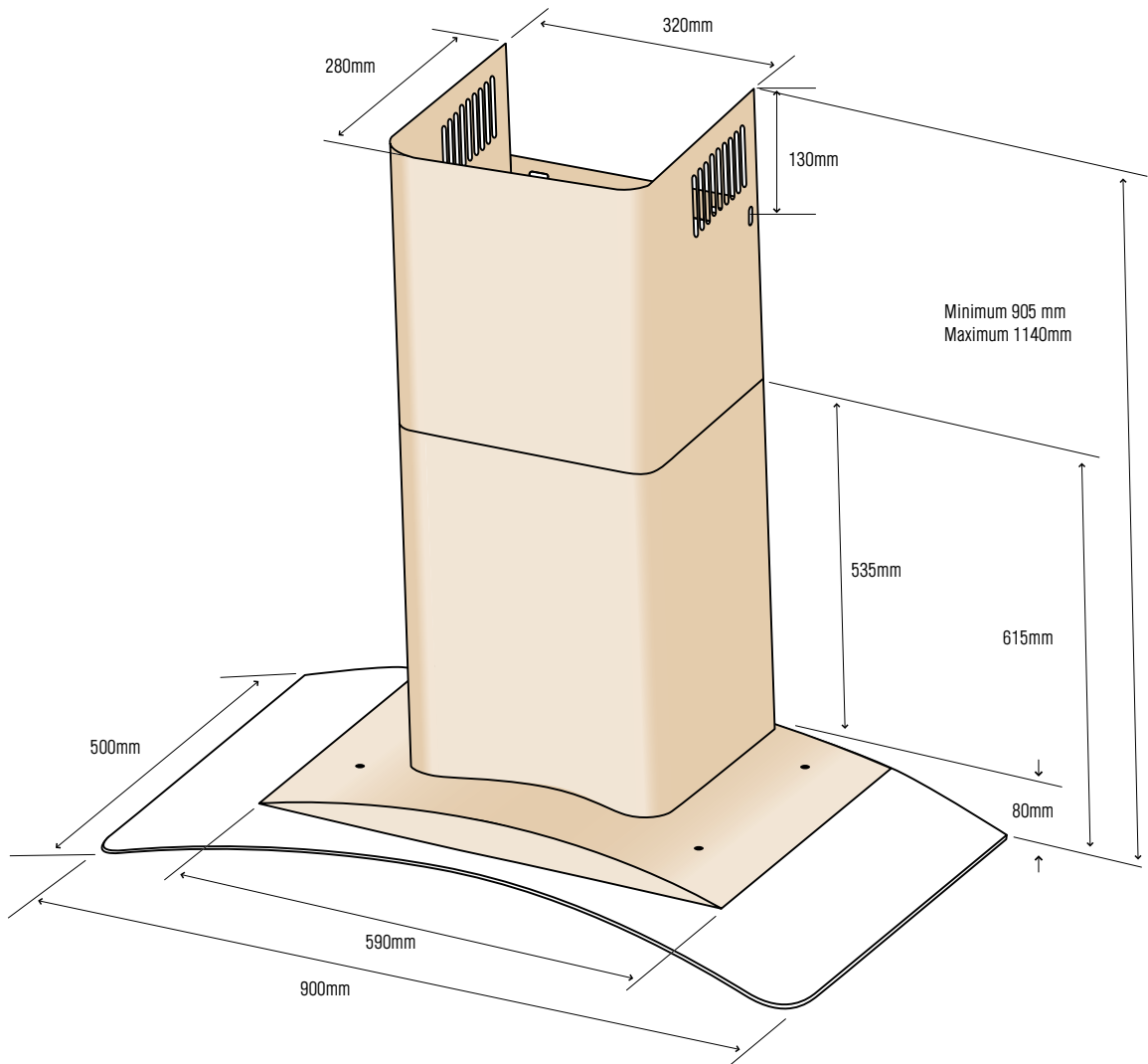


part numbers	description
AR125RC	Roof Cowl
AR125B	90° Bend
AR125F	Flue 1200mm Long
AR125FD	Flexible Duct - 1 metre long when expanded
AR125WV	Wall Vent Kit
AR500FS / AR500FW	Extra Length Flue Cover 1100mm length brushed stainless steel / white
AR500RK	Recirculating Kit (includes AR500CF x 2)
AR500CF	Replacement Carbon Filters
AR125FJ	Flue Joiner without damper
AR125FJD	Flue Joiner with damper

NB: WRG630 and WRG930 models are supplied with a recirculating t-piece.  
Therefore, if recirculating you only require carbon filters (Model No. AR500CF)

# CANOPY RANGEHOODS

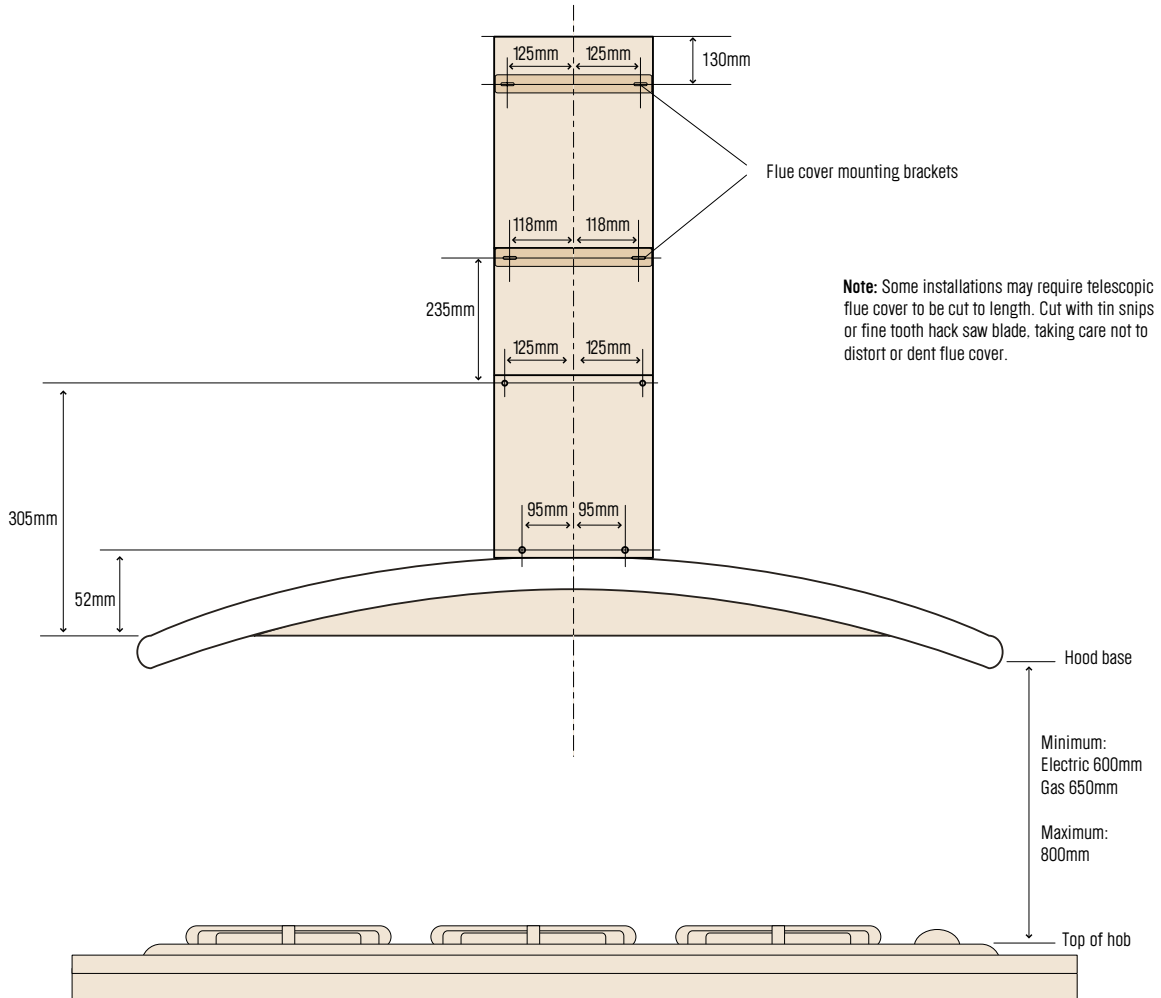
models: WRG950CGS



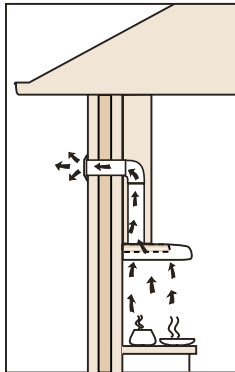
All measurements in millimetres.

## CANOPY RANGEHOODS

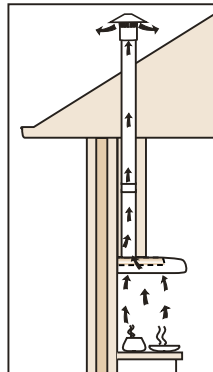
models: WRG950CGS



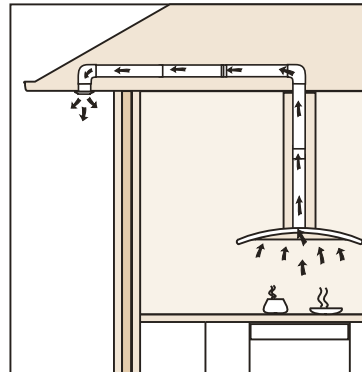
Rear Exhaust to atmosphere



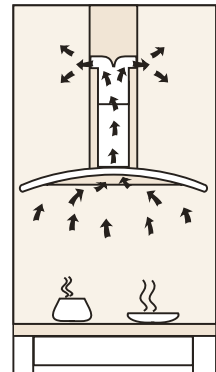
Top Exhaust to atmosphere



Side Exhaust to atmosphere



Recirculating Exhaust\*

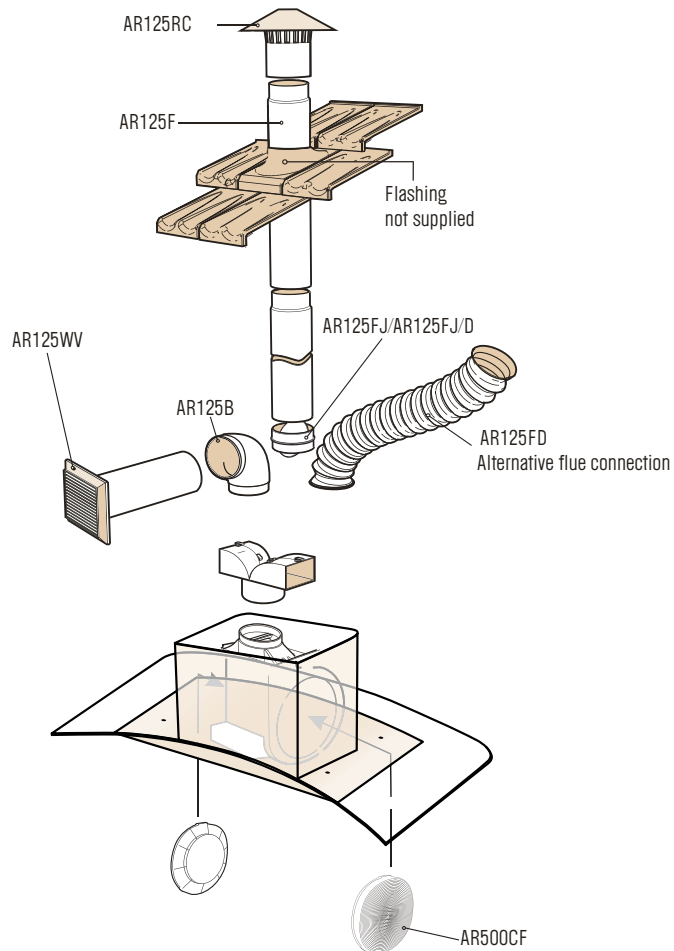


\* In recirculating mode you must use carbon filters to eliminate cooking smells. (Model No. AR500CF)

All measurements in millimetres.

# CANOPY RANGEHOODS

models: WRG950CGS



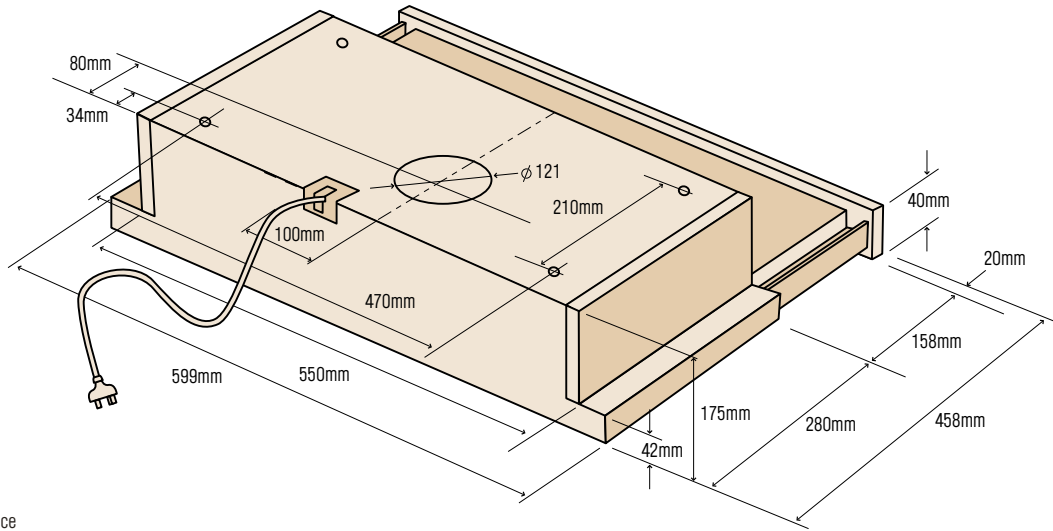
part numbers	description
AR125RC	Roof Cowl
AR125B	90° Bend
AR125F	Flue 1200mm Long
AR125FD	Flexible Duct – 1 metre long when expanded
AR125WV	Wall Vent Kit
AR500CF	Replacement Carbon Filters
AR125FJ	Flue Joiner without damper
AR125FJD	Flue Joiner with damper

NB: WRG950CGS is supplied with a recirculating t-piece. Therefore, if recirculating you only require carbon filters (Model No. AR500CF) and fit duct between housing outlet and recirculating t-piece.

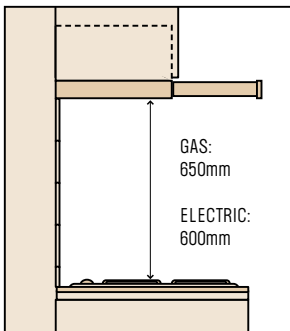


## SLIDEOUT RANGEHOODS

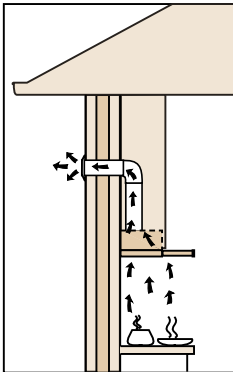
models: WRH605IW, WRH605IS, WRH608IW, WRH608IS, WRH608IK



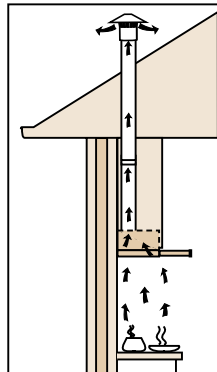
Minimum distance of hood above hob



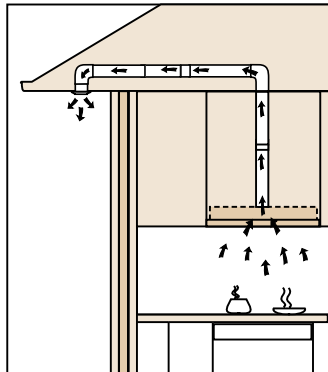
Rear Exhaust to atmosphere



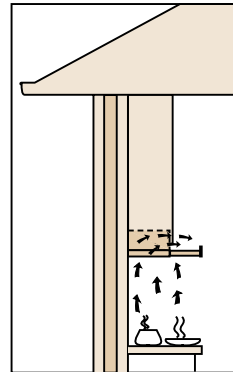
Top Exhaust to atmosphere



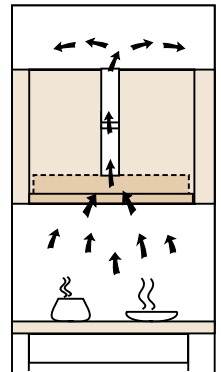
Side Exhaust to atmosphere



Front Recirculating Exhaust\*#



Top Recirculating Exhaust\*



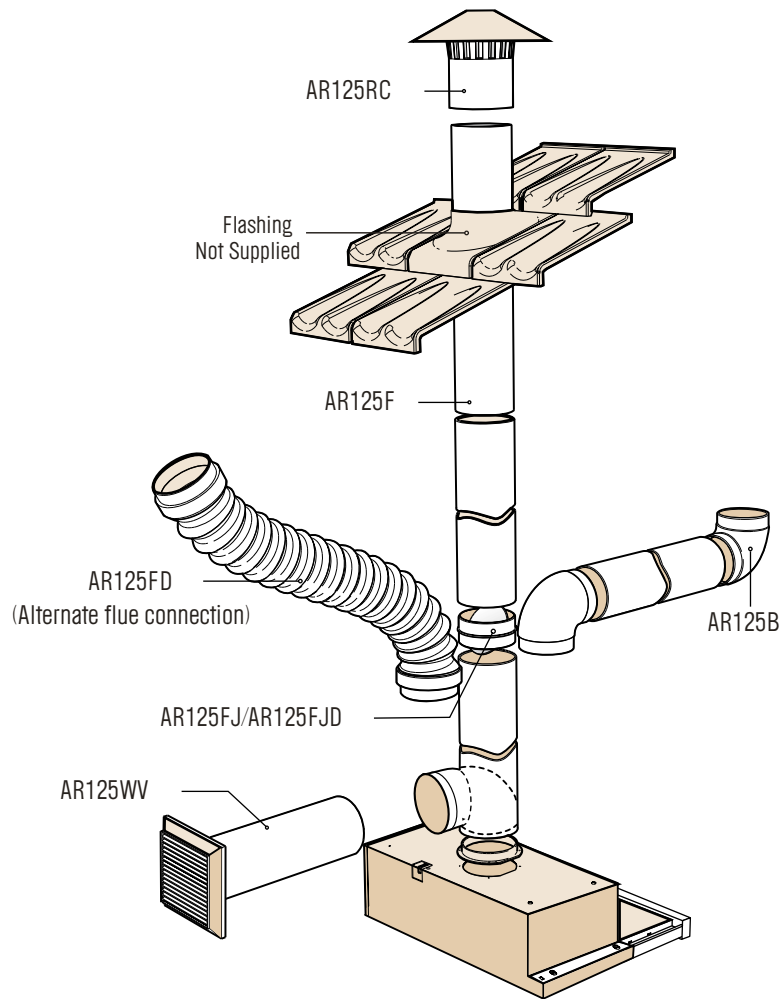
\* In recirculating mode it is recommended you use carbon filters to eliminate cooking smells.  
(Model No. ARCFD)

# WRH605 models can only be recirculated using top recirculating exhaust mode. 70mm fascia is required for front recirculation.

All measurements in millimetres.

# SLIDEOUT RANGEHOODS

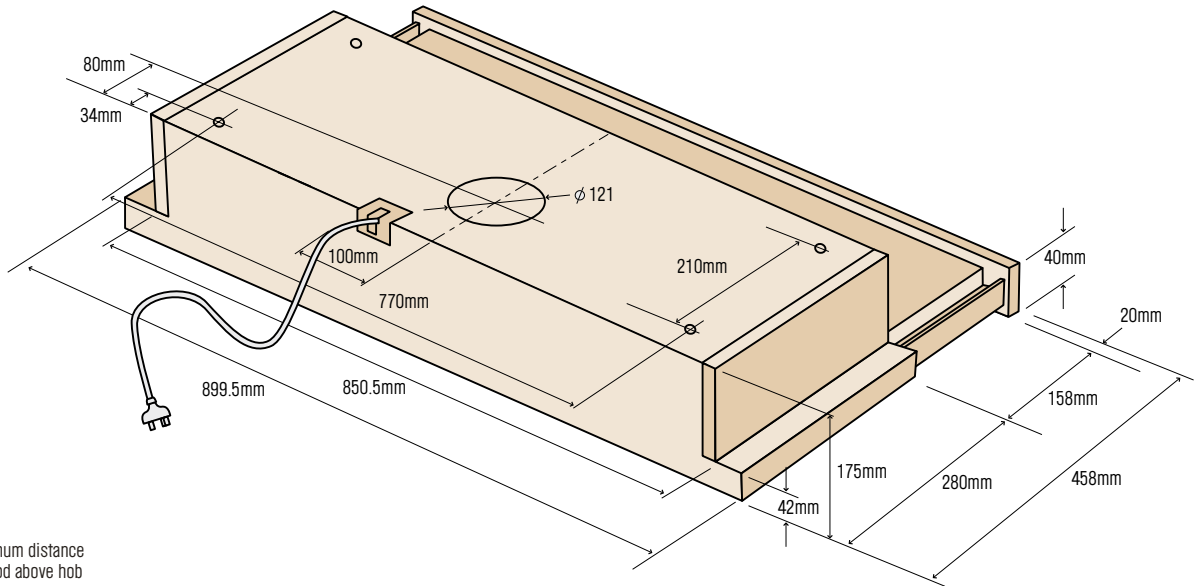
models: WRH605IW, WRH605IS, WRH608IW, WRH608IS, WRH608IK,



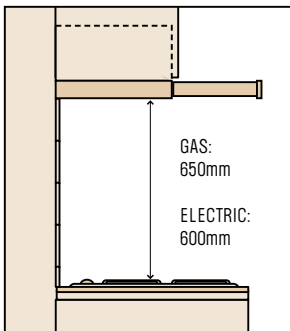
part numbers	description
AR125RC	Roof Cowl
AR125B	90° Bend
AR125F	Flue 1200mm Long
AR125FD	Flexible Duct - 1 metre long when expanded
AR125WW	Wall Vent Kit
AR125FJ	Flue Joiner without damper
AR125FJD	Flue Joiner with damper
ARCFD (not illustrated)	Replacement Carbon Filters

## SLIDEOUT RANGEHOODS

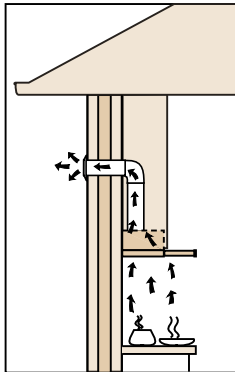
models: WRH908IW, WRH908IS, WHR908IK



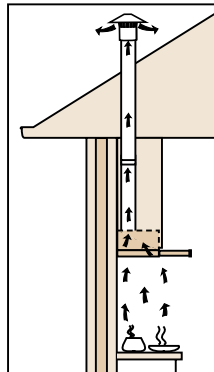
Minimum distance of hood above hob



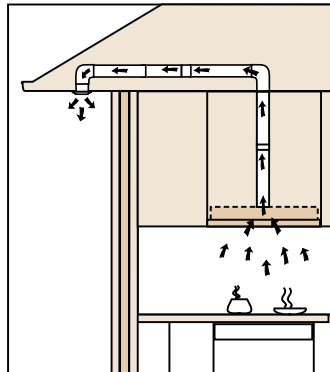
Rear Exhaust to atmosphere



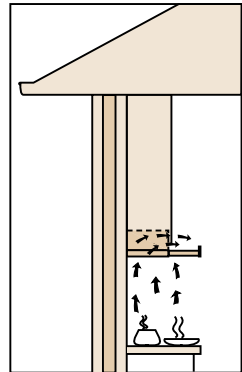
Top Exhaust to atmosphere



Side Exhaust to atmosphere



Front Recirculating Exhaust\*#



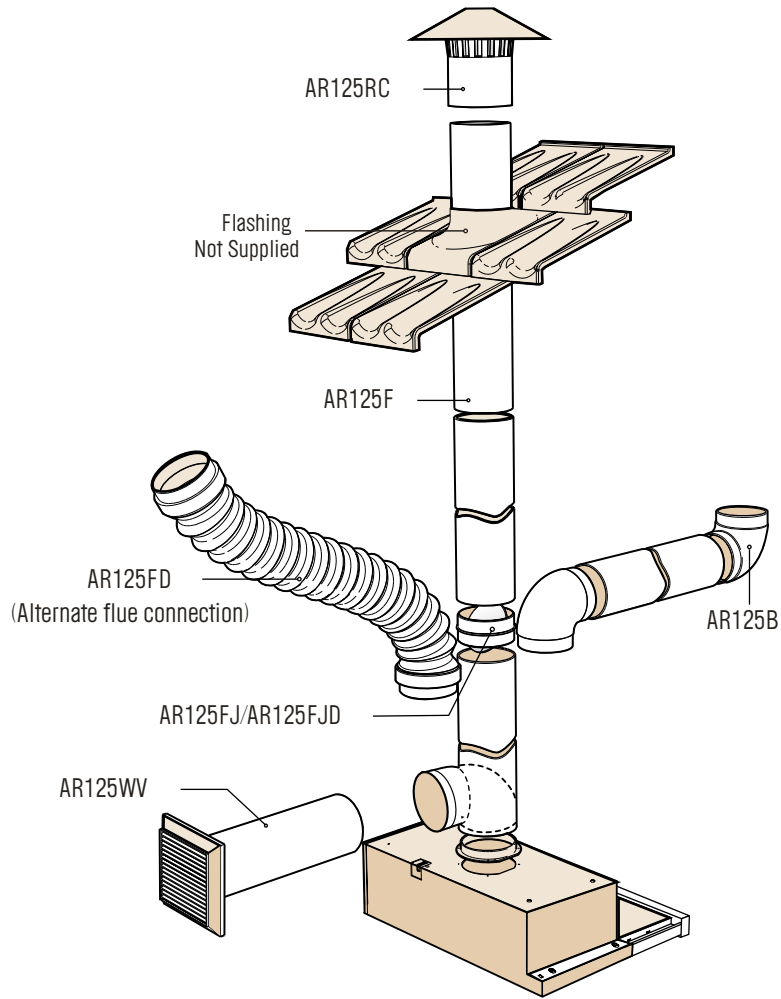
\* In recirculating mode it is recommended you use carbon filters to eliminate cooking smells.  
(Model No. ARCFD)

# 70mm fascia is required for front recirculation.

All measurements in millimetres.

# SLIDEOUT RANGEHOODS

models: WRH908IW, WRH908IS, WHR908IK



part numbers	description
AR125RC	Roof Cowl
AR125B	90° Bend
AR125F	Flue 1200mm Long
AR125FD	Flexible Duct - 1 metre long when expanded
AR125WW	Wall Vent Kit
AR125FJ	Flue Joiner without damper
AR125FJD	Flue Joiner with damper
ARCFD (not illustrated)	Replacement Carbon Filters