

Cavity sizes required for installation

Front Load Washers & Dryers

WH8560P/J, WH7560P/J & DE8060P, DE50F56E models

NZ AU

Fisher & Paykel

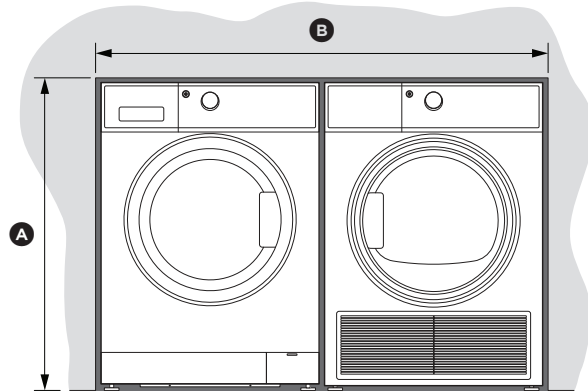
1 WASHER & DRYER UNDER BENCH

Washer: WH8560P, WH7560P
Dryer: DE8060P

Cavity dimensions (mm)

A height to under bench	860
B width	1245
C depth	645

Cut out dimensions above are to be used as **minimum** dimensions.



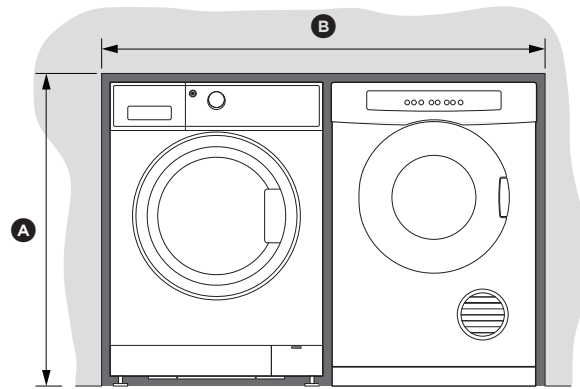
2 WASHER & DRYER UNDER BENCH

Washer: WH8560P/J, WH7560P/J
Dryer: DE50F56E
Plinth Part No.94852

Cavity dimensions (mm)

A height to under bench	860
B width	1220
C depth	645

Cut out dimensions above are to be used as **minimum** dimensions.

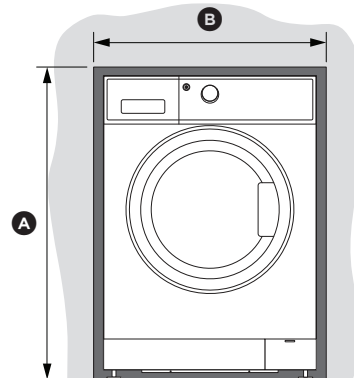


3 WASHER UNDER BENCH

Washer: WH8560P/J, WH7560P/J

Cavity dimensions (mm)	WH8560P/J	WH7560P/J
A height to under bench	860	860
B width	640	640
C depth	645	590

Cut out dimensions above are to be used as **minimum** dimensions.



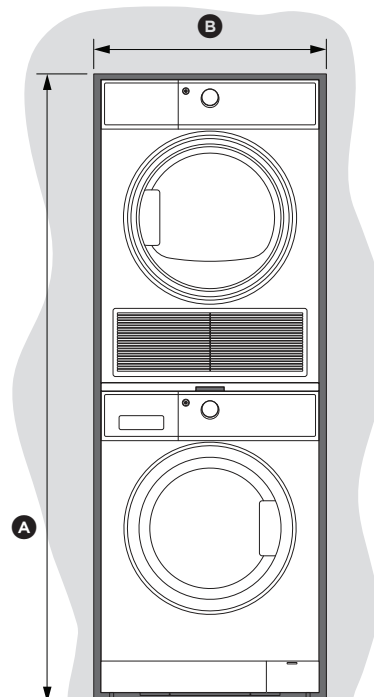
4 WASHER & DRYER STACKED

Washer: WH8560P
Dryer: DE8060P
Stacking Kit Part No. 427976

Cavity dimensions (mm)

A height to under bench	1730
B width	640
C depth	645

Cut out dimensions above are to be used as **minimum** dimensions.



Note: Power plug must be accessible