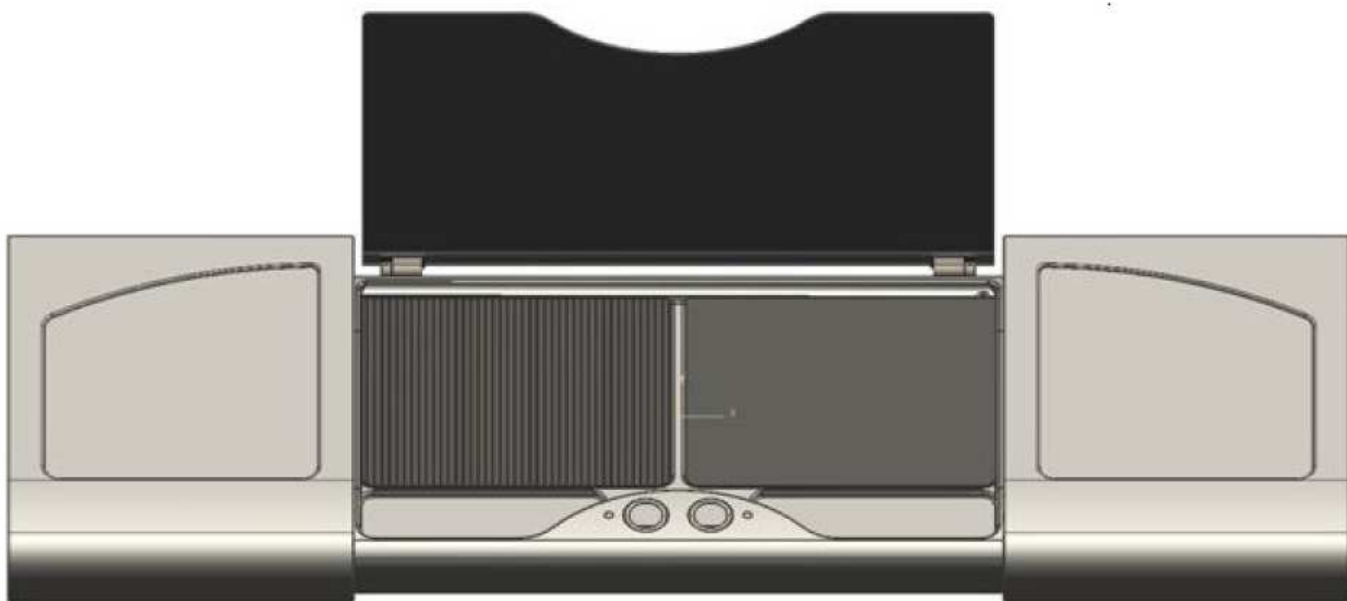


Draft copy only



Stainless Steel Electric Wall Mount BBQ

INSTALLATION AND MAINTENANCE

INSTRUCTIONS

Manufacturer is not responsible for any transcription errors or misprints contained in this handbook furthermore the manufacturer reserves the right to make any modification on the products which might be deemed necessary or useful this being in the user's interest without altering their basic operating or safety features



DIMENSIONS & ELECTRICAL DATA _____ PAGE 3

DESCRIPTION & PARTS BREAKDOWN _____ PAGE 4

PACKAGING PARTS _____ PAGE 5

INSTALLATION _____ PAGE 6-7-8

ELECTRICAL CONNECTIONS & WARNINGS _____ PAGE 9

USE _____ PAGE 10

MAINTENANCE & CLEANING _____ PAGE 11-12

SPARE PARTS & TECHNICAL _____ PAGE 13

WARRANTY'S _____ PAGE 14-15

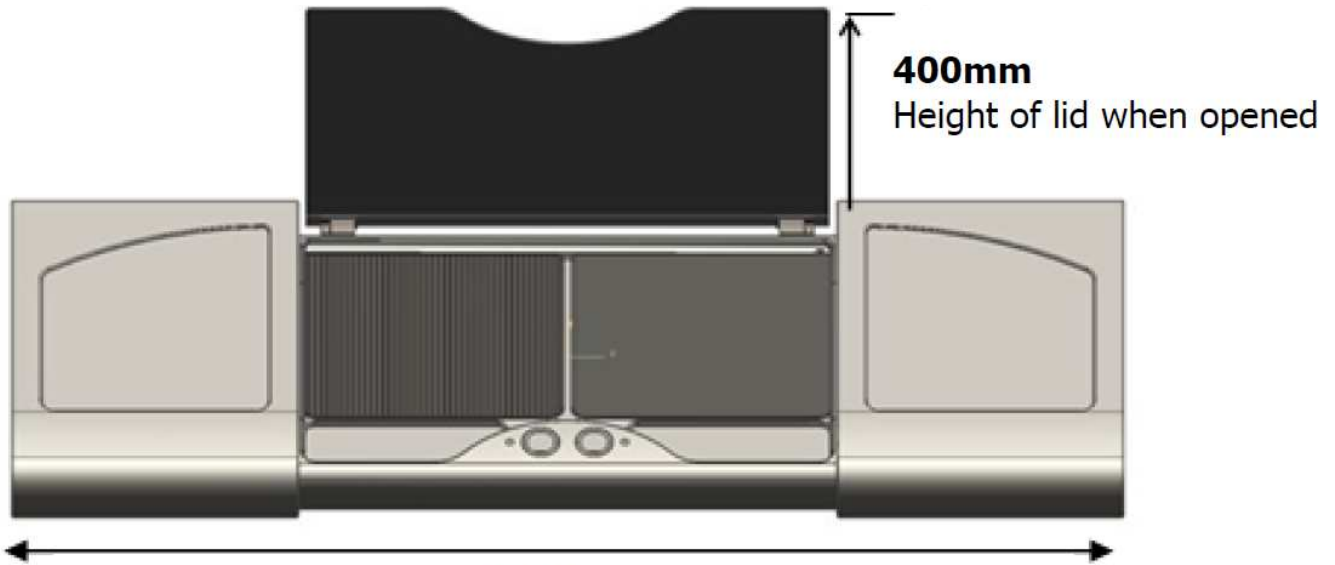
Dear User

We are sincerely grateful to you for purchasing one of our products we are sure that this modern functional and easy to use appliance, built with the finest materials and components will satisfy all your needs.

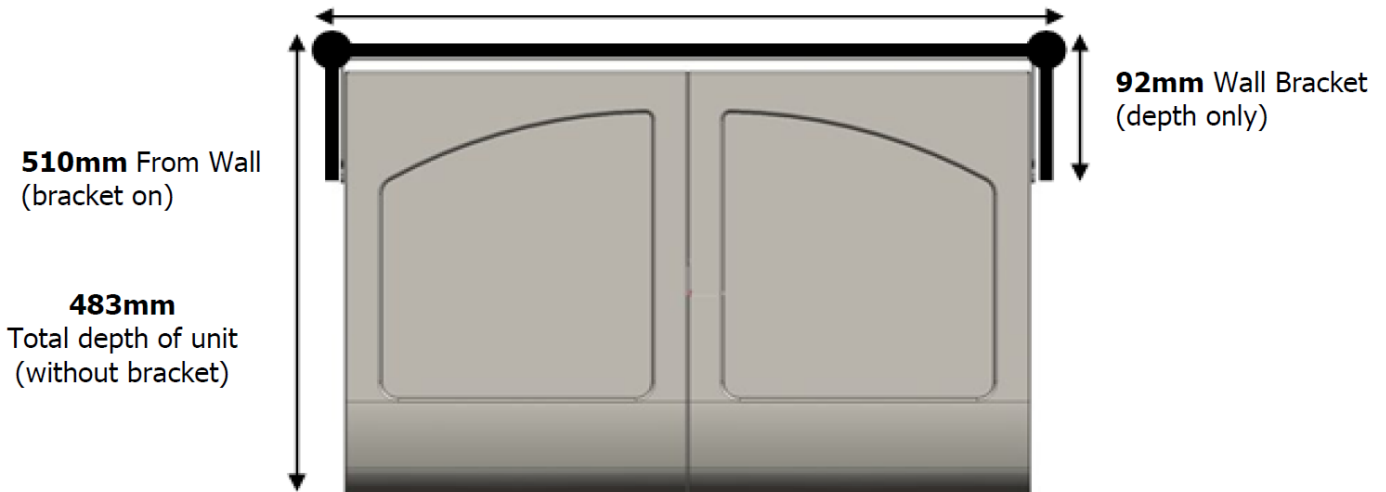
We kindly ask you to read very carefully the instructions within this handbook as to enable you to obtain safety and quality results.

The appliance must be installed only by an expert technician in compliance with the instructions provided the manufacturer declines all responsibility for improper installation

Dimensions



740mm
Total width of wall bracket



TECHNICAL DATA

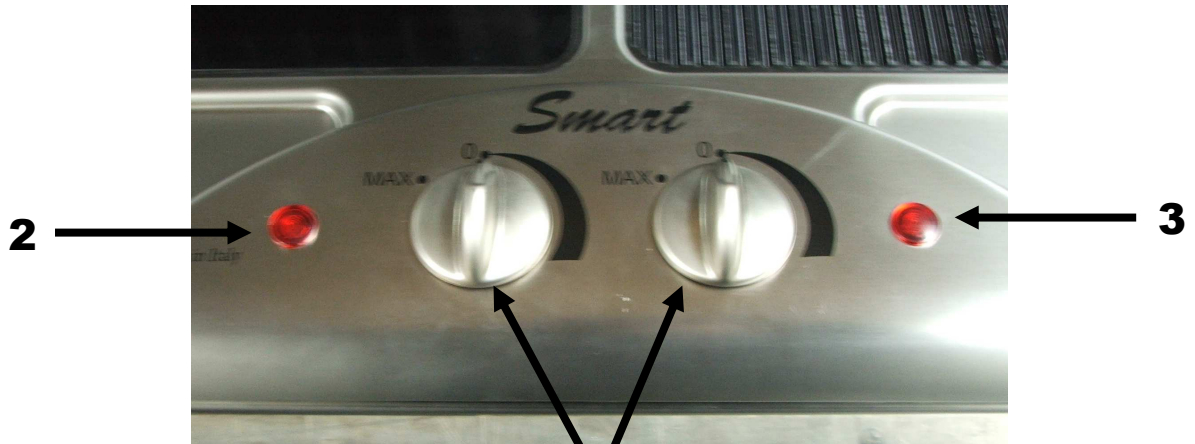
VOLTAGE: 230-240V

FREQUENCY : 50/60 Hz

TOTAL RATING : 2400 WATTS

AMPS : 10 AMPS

DESCRIPTION OF THE HOT PLATES



1: SWITCH FOR ELECTRIC ELEMENTS

2/3: RESIDUAL HEAT INDICATORS



**RADIANT ELECTRIC HEATING
ELEMENT**

SMOOTH GLASS 1200 W

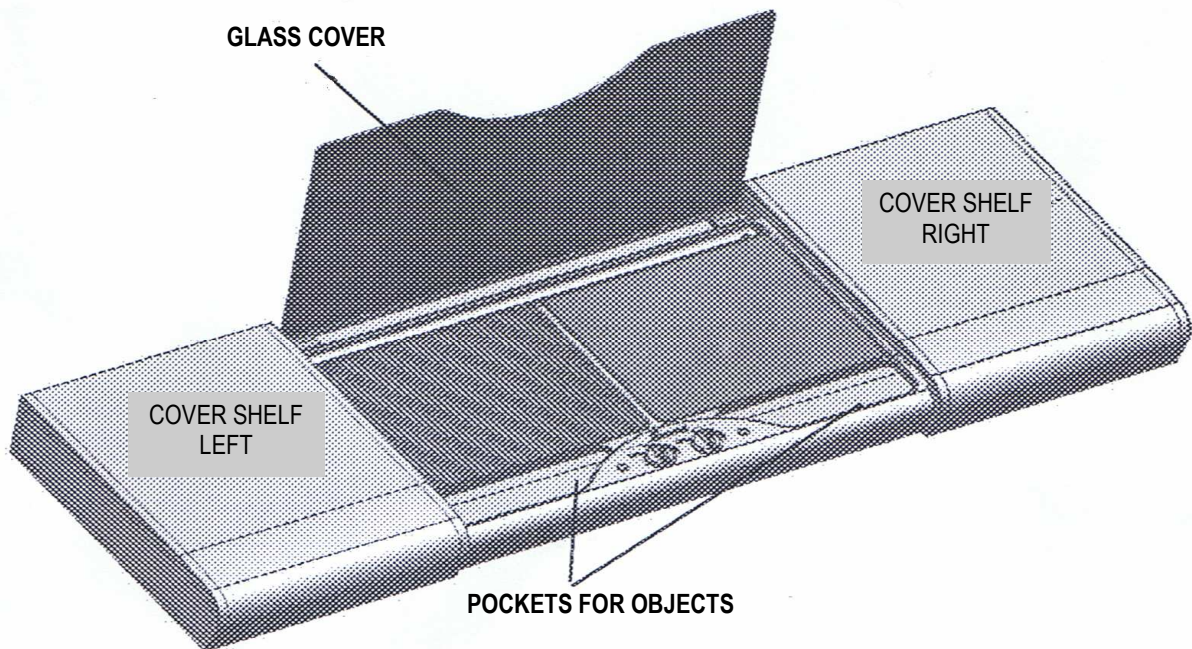
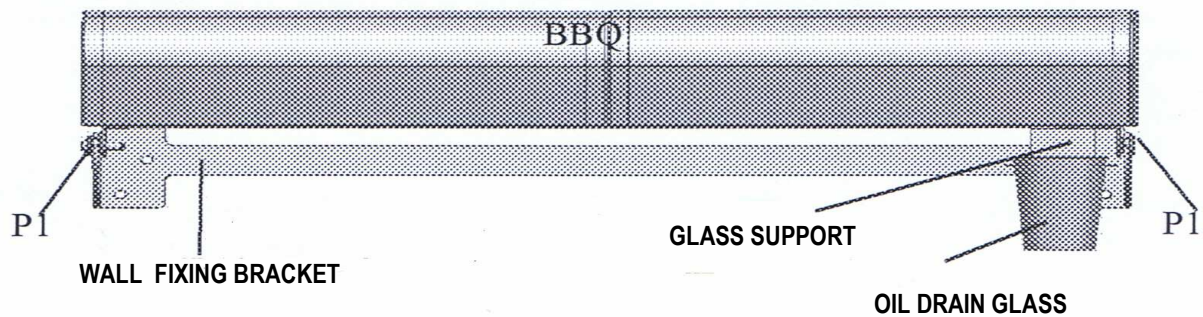
**RADIANT ELECTRIC HEATING
ELEMENT**

UNDULATING GLASS 1200 W



CONTENTS OF CARTON

- BOX OF 750 x 500 x 200 mm
- UPPER SOCKET PUNCH (TO USE AS TEMPLATE FOR DRILLING)
- BBQ WITH FIXING WALL BRACKET
- INSTRUCTION MANUAL
- LOWER SOCKET PUNCH (TO USE AS TEMPLATE FOR DRILLING)
- GLASS SUPPORT
- OIL DRAIN GLASS
- RAZER SCRAPER FOR PLATES



INSTALLATION

INSTALLATION: transformations and maintenance below listed may only be carried out by a competent technician. A wrong installation may provoke damage to persons, animals or things, for which the manufacture can not be held reasonable for.

After having cleared out all the packing components, make sure of the integrity of the appliance before installing.

NOTE: DO NOT INSTALL THE BBQ IF ANY DAMAGE HAS BEEN FOUND ,REPORT TO SUPPLIER

Please keep children away from all packing elements (carton, polystyrene,)

TECHNICAL INSTRUCTIONS FOR INSTALLER

Put away and preserve all packaging parts in case require at later stage for shipping.

Verify that all appliance parts are in the packaging.

Remove from the packaging one socket punch to use it as a template later on to drill the six holes for wall bracket.

Choose the place on the wall suitable to install the BBQ considering the following.

- thickness and strength of the wall as BBQ 's weight is 27.10 kg its recommended to use a brickwork wall and to use Plastic plugs, dyna bolts or similar to hold wall bracket to wall. If not using a brick wall special attention will have to be taken to what the bracket is attached to. It must be able to hold weight of BBQ
- The location of the BBQ must be protected from direct rain and have at least 4 meter clearance above .
- Verify that nearby is a wall socket of at least 10 amp 240 volts and an circuit breaker connected to a RCD.
- Take the template to the wall and mark out six holes choose at height which is a suitable work height.

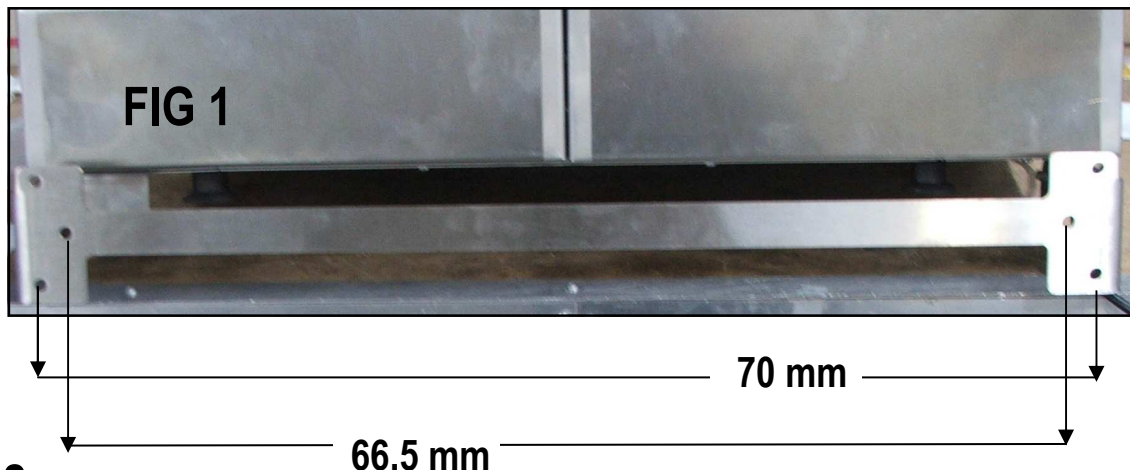
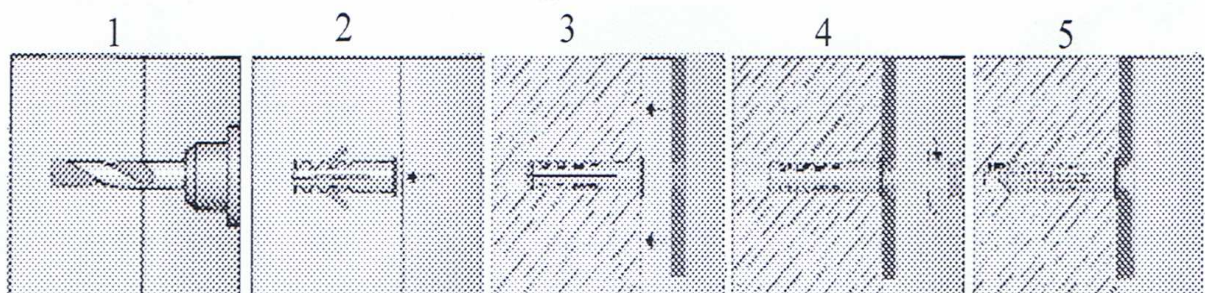


FIG 2



INSTALLATION

- Use a suitable power drill ,drill 5 mm over the length of the plastic plug (FIG 2)
- Blow out the holes to clean all the dust.
- insert the plastic plug into the wall with the help of a small hammer (FIG 2)
- Separate the wall bracket from the BBQ by unscrewing the bolts (P1) on page 5 taking into consideration the assembly position of the washers and bushers to assemble later on see (FIG A) .
- Take the wall bracket (FIG 1) to the wall and fix to the wall with the appropriate 6 screws (FIG 2)
- Verify that the two washers with the relevant bushes and fixing bolts are fitted to the front holes of the BBQ.
- Lift the BBQ and locate the holding bush into the front position of the bracket see (FIG 3)
- Lift up slowly and rotate the BBQ to 90° taking in to the working position (perpendicular to the wall) line up with the rear holes of the bracket (FIG 4-5).
- Insert the two bolts and washers you removed earlier into the rear holes (washer-bush- washer) of the wall bracket and lock, locking the whole assembly with the two nuts. (FIG 9)
- Verify visually the correct assembly and fixing of the BBQ
- Now try to move the BBQ to its resting position lift up the BBQ about 1-2 cm to clear the front hook of the wall bracket and pull towards yourself (FIG 6-7) now the bush is released from the wall bracket you can slowly lower the BBQ so the rubber buffers come in contact with the wall (FIG 8).
- If everything is correct, now it is possible to open the BBQ once again and start using it make sure once in the working position the bush's have locked into position and everything is secured . Check the guide photos (FIG 6-7-8)

FIG A



Washer-bush-washer-nut

FIG 3

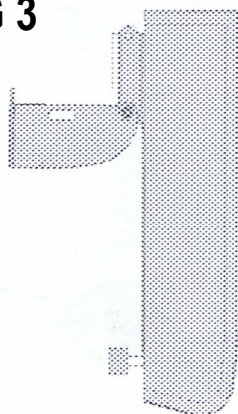


FIG 4

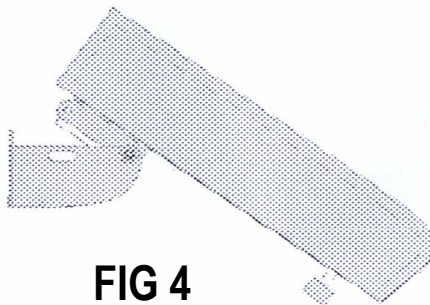
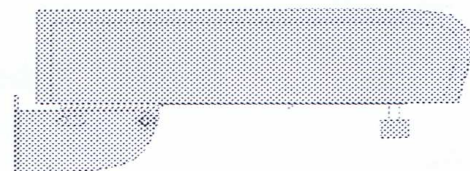


FIG 5



INSTALLATION

FIG 6

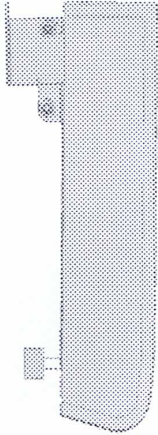


FIG 6: B-B-Q in the stored position against the wall

FIG 7

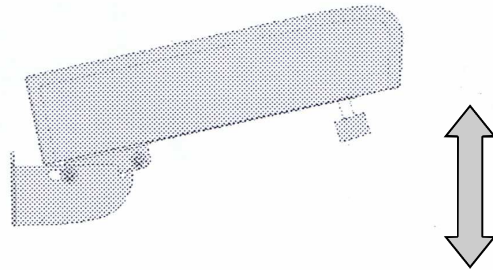


FIG 7 lift up over 90° to clear side bracket

FIG 8

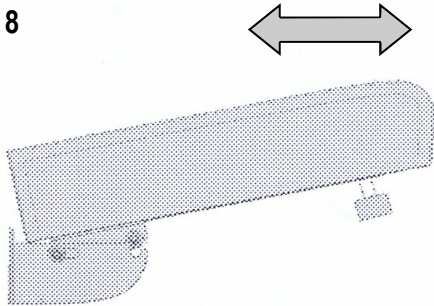


FIG 8 Push B-B-Q back and drop down into notch at front of bracket

FIG 9

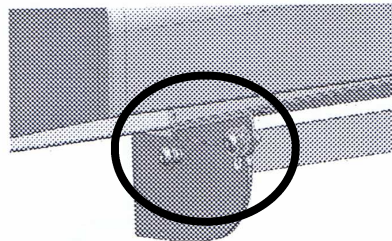


FIG 9 Shows notch in bracket

ELECTRICAL CONNECTIONS & WARNINGS

ELECTRICAL CONNECTIONS

The electrical connections have to be done in accordance with all requirements and regulations of the county where the appliance has been sold.

The appliance must be feed through a power point fitted with switch with the appropriate power rating.

The appliance must be connected to a socket with a earth (for appliance in class 1)

Before proceeding with the connection verify the following:

- The power of the electrical system and the power of the outlet are adequate to the maximum power of the appliance (see technical data)
- If the installation is out side the house, all the electrical system must have an earth connection according to regulation.
We disclaim all responsibilities for not observing these points when the connection has been done outside of regulations.
- Fitted between the appliance and the power source a general switch of adequate load of the appliance.
- Keep in mind that the earth wire does not become interrupted by the switch.
 - This appliance should have supply power through a residual current devise (RCD) having a rated residual operating
Current not exceeding 30mA.

WARNINGS

- In the connection to the BBQ do not use any power boards or extention leads as the danger of overheating and posable fire may occoure.
- If for any reason the power cord becomes damaged it must not be used and needs to be replaced by the manufacturer or by the after sales Service Centre to prevent any risk.
- The wall socket must be accessible after installation of the appliance .
- The power supply cable must be checked regularly and the appliance must not be used if this cable is damaged.
- This appliance is not intended for use by persons (including children) with reduced physical, sensory or mental capabilities, or lack of experience and knowledge, unless they have been given supervision or instruction concerning use of the appliance by a person responsible for their safety.
- Children should be supervised to ensure that they do not play with the appliance
- The power supply cable must not be in contact with the hot parts of the appliance.
- Charcoal or similar combustible fuels are strictly forbidden to be used with this appliance.
- Always remember to unplug by griping the plug and pull straight out ,do not pull on the cable
- If the glass –ceramic surface is cracked, switch off the appliance and disconnect from power to avoid the possibility of electric shock.
- During use of the appliance the glass– ceramic surface will become hot. Care should be taken to avoid touching this Surface, to avoid burns. Young children should be kept away.
- At no time should the use of a steam cleaning devise be used to clean this appliance.
- This appliance is not intended to be operated by means of an external timer or a separate remote control devise.

USE

USE AND OPENING

Lift the BBQ from the wall rotating it to 90° till it reaches the working position perpendicular to the wall. Now lift it a little higher to clear the wall bracket sides .

Now push the BBQ towards the rear to line up the bush with the cut-out on the wall bracket slowly lowering the BBQ down into position.

Be careful after doing this operation that it is correct before losing your grip on the BBQ.

Now open the two side covers to the side, till locked in the open position.

To close the two side covers you need to release the clips on the rails under the cover one on the front one on the rear rail then slide in . (FIG 10)

Lift up the glass cover and position it to the rear. This will protect the wall during cooking operation.

Insert the plug into the 240 volt power point of the correct power consumption fitted with a circuit breaker

HEATING

The hot plates are equipped with two (2) radiant heating elements with different surface glass

The cooking zones are 1 cm smaller than the glass surface.

Use relevant control knob to control the temperature of the hot plate starting from “0” to max.

Set control at relevant setting to control temperature and cooking.

When the temperature has reached 60° a red warning light will come on.

Wait a few minutes' to have the hot plates to come up to cooking temperature before placing food directly on the hot plates.

Once turned off to the “0” position from cooking the red light will remain on, until such time as the hot plates reduces in temperature to 60°, this red light is a residual heat indicator letting you know that the hot plates are still hot ,wait till BBQ completely cools down before closing up.

It is a good idea to clean off BBQ before it completely cools down as it is easier to clean this way





How to keep your EuroKera cook-top looking brand new

Your EuroKera cook-top is made of an extraordinary material : glass ceramic.

- **It is tough**, much tougher than glass it resembles. Nevertheless, do not stand on it in order to repair a light and do not drop a heavy object from above onto the ceramic top.
- **It is resistant** to heat and cold and even to extreme temperature change. You can pour cold water onto a cooking zone without causing any damage.
- **It is attractive and easy to clean.**
It will remain so if you take a few precautions and follow our advise

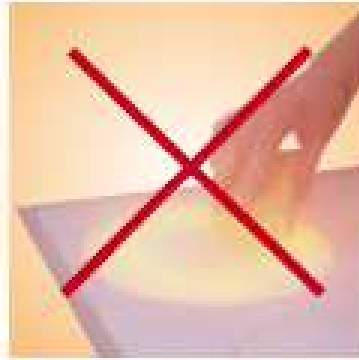
Precautions to be taken when using your EuroKera cook-top

- Before using your cook-top/b-b-q if using a saucepan check the bottom of the saucepan and cooking surface are clean and dry.
- Lift up the saucepans; sliding them across the cook-top can lead to superficial scratches.
- Avoid peeling vegetables over the cook top as this could lead to grit on the surface and subsequent scratching.
- is you do use a saucepan use one large enough to avoid any spillage onto the cook-top, especially if the saucepan contains any sugar as this can cause irreparable damage to the ceramic glass.
- Keep the surface of the cook-top clear; above all do not allow plastic or aluminium to come in contact with the cook-top as it could melt and damage the cook-top.

Cleaning instructions

Each and every stain or deposit on the cook-top surface must be cleaned off quickly once the cook-top has cooled down, before re-using the cook-top.

Exception: In the case of sugar deposits, remove all residues before the cook-top cools down (Be careful not to burn yourself!).



Important: Only use cleaning products that have been specifically designed for ceramic glass



If the deposit is minimal simply wipe off with a dry cloth



If the deposit is more instance clean off with a moist soapy sponge and rinse well



If the deposit does not clean off easily, use a non-abrasive scratch pad and a specially adapted glass-ceramic cleaning product



If the deposit does not clean off with any of the above mentioned methods, use a razor blade scraper specially designed for ceramic glass cook-tops



Having successfully cleaned the cook-top apply a ceramic glass cook-top conditioner which will protect the cook-top surface against any future stains with a dry cloth of equivalent

TECHNICAL ASSISTANCE AND SPARE PARTS

Before leaving the factory, this appliance has been carefully tested and verified by specialised and expert personnel to Guarantee the best quality and performance.

Any repairs or adjustments which may be subsequently required must be carried out by qualified personnel with care and attention

For this reason always contact your dealer or your nearest after sales service centre whenever repairs or adjustments are required on your appliance.

Please also be aware that genuine spare parts are only available at our after sales service centre or authorised outlet.

MODEL: _____

SERIAL NUMBER: _____

The above data are printed on a label attached to the appliance. This information allows the technical service to get or fit the correct parts. We suggest filling in the above table.

This appliance is marked according to the European Directive 2002/96/EC on Waste Electrical and Electronic Equipment (WEEE).

This guideline is the frame of a European-wide validity of return and recycling on Waste Electrical and electronic Equipment

All our products are designed and built according to the European EN 60 335-1 and EN 60 335-2-6 and relative

Amendments.

This appliance has been produced according to the European Directives.
(EE 89/336 + 92/31 + 93/68) concerning the compatibility electromagnetic.
(EE 73723 + 93/68) concerning the electrical security.

Arisit Pty Limited

**Australian Office
40-44 mark Anthony Drive
Dandenong South
Vic 3175
Service Hotline 1300 762 219**

WARRANTY

Terms of Warranty & Important Notice

TERMS OF WARRANTY

Should a defect in this due to either FAULTY MATERIAL or WORKMANSHIP become apparent within the period of 12 months from the date of original purchase of the product, then provide Arisit or their above mentioned 12 months period, such defect will be rectified, without cost to you for either labour or material, at the premises of Arisit or Their Authorized Service Centre Subject to:

1. Particulars of the model and serial number, the date of original purchase and invoice/sales docket number being given to the authorized service centre when a claim under warranty is made. Purchase receipt must be produced.
2. All (a) damage resulted from incorrect installation or misuse other than in accordance with the operating instructions issued by the Company (b) consequential damage being excluded from this warranty.
3. The warranty being rendered invalid if the product is misused or if any unauthorized alteration, modification, or substitution of the product is defaced or altered.
4. Costs of transportation both ways to and from the authorized service centre being are paid by the owner if it is necessary to return the product or any part to an authorized service centre.
5. A charge being accepted by the owner for traveling expenses incurred in connection with warranty service at the user's home.
6. The warranty not applying except to the serving within Australia of products purchased in Australia.
7. The authorized service agent will provide service during normal business hours, Monday to Friday.

If any legislation whether Federal or State to applies to this transaction, certain non-excludable conditions may be implied and certain non-excludable rights may arise but except for such conditions, warranties and rights, all conditions and warranties which might otherwise be implied in this transaction are hereby excluded and negated.

IMPORTANT NOTICE

1. Arisit Pty Limited has arranged for authorized service centre to perform all after sales and warranty service on its behalf.
2. The authorized service centre can accept no responsibility for damage in transit to and from his premises.
3. If the product or any parts returned to an authorized service centre for any cause not covered by this warranty, all costs involved, including g a charge for inspection and handing must be paid to authorize service centre.
4. Changes not covered by the terms of this warranty must be borne by the owner. Such charges may arise through the cost of any service all where (a) the product is found to be in good installation, or (b) maladjustment of user controls, or failure to follow operating instructions, mains supply defects or external inference has occurred.
5. No retailer has authority to vary the terms of the above warranty.
6. The product is under one (1) year service warranty.

WARRANTY

Items not covered by this warranty are:

- Correcting installation of the product, i.e. removal of packaging, leveling the appliance, correcting hose and/or plumbing connections and electrical connections.
- Providing instruction on the use of the appliances as this is covered in the users guide.
- Noise and/or vibration that is considered normal operation of the appliance.
- Defects that are caused by factors other than normal use of the appliance as set out in the user's guide of the appliance.
- Corrections of defects caused by accident, neglect, misuse or Act of God.
- Normal maintenance of the appliances, i.e. replacement filters, globes, cleaning of the appliances etc.
- Damage caused by the use of inappropriate cleaning chemicals.
- Traveling or freight charges when the appliance is installed outside of the normal service area of the authorized service center. Travel charges will be covered by Arisit Pty Limited if there is a defect of the product within 7 days of the date of purchase. This does not cover corrections to installation or demonstration of the use of the appliance.
- Corrections to the appliance due to unauthorized repairs.
- Correction to the appliance due to repairs carried out by unauthorized service persons.
- If this product is used for commercial use, the warranty is 6 months from date of purchase.