

Electrolux rangehoods: ERCM9010AS, ERCE9020AS, ERCE9030AS
Westinghouse rangehoods: WRG970CS, WRG980CGS

This set of instructions applies to recirculating applications/installations.

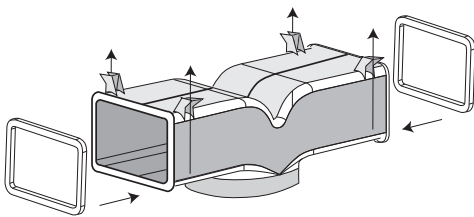
Components supplied with product

1. Exhaust cover ceiling mounting bracket
2. Telescopic exhaust cover set
3. Flexible exhaust pipe
4. Exhaust duct transition
5. Main body mounting brackets
6. Main body and fan housing assembly
7. Grease filters
8. Instruction book

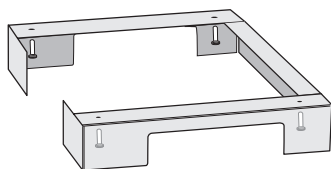
Additional items required for installation

- Fixings (screws & plugs) required to attach main body mounting brackets and anti tilt fixings.
- Fixings required to attach exhaust cover mounting brackets to the ceiling

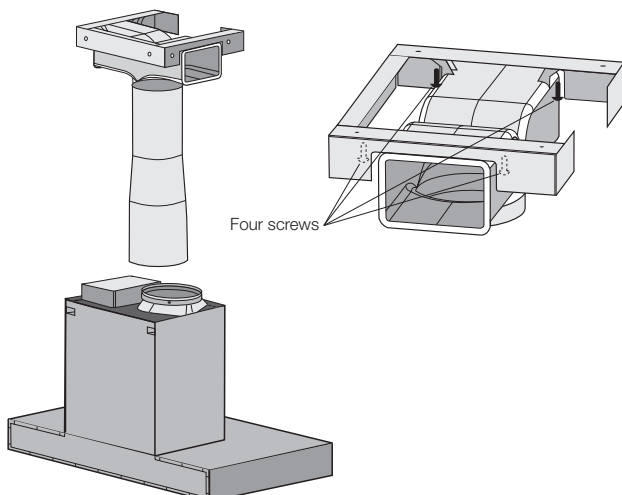
step 1: Attach the two gaskets to the outlets of the 'T-piece'.



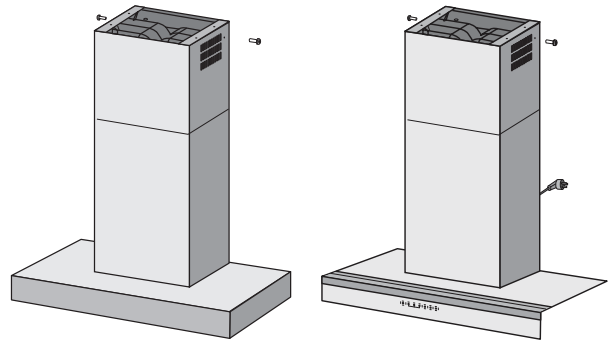
step 2: Attach the ceiling mount bracket to ceiling using suitable fixings.



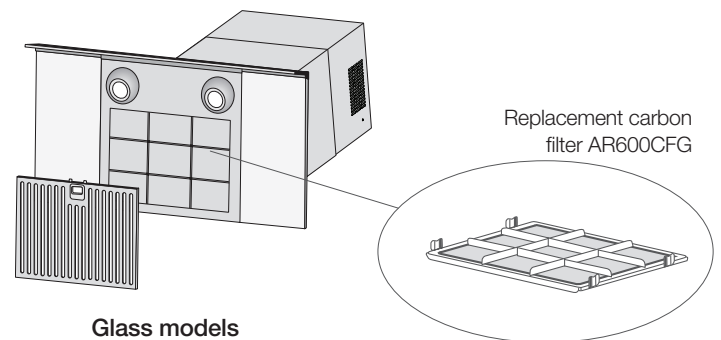
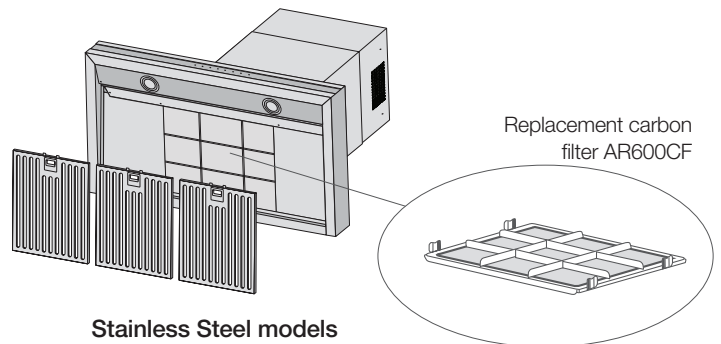
step 3: Attach 'T-piece' to ceiling mount bracket using four screws supplied. Fix the duct pipe between the 'T-piece' and fan outlet making sure that the smaller end of the duct pipe is attached to the T-piece.



step 4: Carefully lower the assembled inner and outer exhaust covers onto the top of the cooker hood body, and insert the exhaust cover into the rangehood body approximately 5mm. Fix inner (top) exhaust cover to the ceiling mounting bracket with screws supplied. Ensure that the inner (top) section is extended.



Insert carbon filter into position and replace the grease filters over fan inlet.



Refer to User Manual for hood body installation instructions.