



Westinghouse

user manual

Dishwasher

WSU6603

# Electrolux. Thinking of you.

Westinghouse. We are part of the Electrolux family.

Share more of our thinking at [www.electrolux.com](http://www.electrolux.com)

## CONTENTS

Safety information	2	Care and cleaning	13
Product description	4	What to do if...	14
Control panel	5	Technical data	16
Use of the appliance	6	Installation	16
Use of detergent and rinse aid	6	Water connection	19
Loading cutlery and dishes	7	Electrical connection	21
Setting and starting a washing program		Environment concerns	21
	11	Warranty	22
Washing programs	12		

Subject to change without notice



## SAFETY INFORMATION

**i** For your safety and correct operation of the appliance, read this manual carefully before installation and use. Always keep these instructions with the appliance even if you move or sell it. Users must fully know the operation and safety features of the appliance.

### Correct use

- Only use the appliance to clean household utensils that are suitable for dishwashers.
- Do not put solvents in the appliance. Risk of explosion.
- Put knives and all items with sharp points in the cutlery basket with their points down. If not, put them in a horizontal position in the upper basket.
- Use only products specified for dishwashers (e.g. detergent, rinse aid).
- If you open the door while the appliance is in operation, hot steam can escape. Risk of skin burns.
- Do not remove dishes from the appliance before the end of the washing program.
- When the washing program is completed, disconnect the mains plug from the mains socket and close the water tap.
- Only an authorised service engineer can repair this appliance. Use only original spare parts.
- Do not do repairs yourself to prevent injury and damage to the appliance. Always contact the Customer Care Centre.

### General safety

- Some dishwasher detergents are strongly alkaline. They can be extremely dangerous if swallowed. Avoid contact with skin and eyes. Keep the children away from the appliance when the door is open. Check that the detergent dispenser is empty after completion of the washing program.
- Obey the safety instructions from the manufacturer of the dishwasher detergent to prevent burns to eyes, mouth and throat.
- Only put detergent in the dispenser before you start a washing program.
- Do not drink the water from the appliance. Detergent residues can stay in your appliance.
- Always close the door when you do not use the appliance to prevent injury and not to stumble over the open door.
- Do not sit or stand on the open door.

### Child safety

- This appliance is not intended for use by young children or infirm persons unless they have been adequately supervised by a responsible person to ensure that they can use the appliance safely. Young children should be supervised to ensure that they do not play with the appliance.
- Keep all the packaging away from children. There is a risk of suffocation.

- Keep all detergents in a safe area. Do not let children touch the detergents.
- Keep children and pets away from the appliance when the door is open.

### Installation

- Make sure that the appliance is not damaged because of transport. Do not connect a damaged appliance. If necessary, contact the supplier.
- Remove all packaging before first use.
- A qualified and competent person must do the electrical installation.
- A qualified and competent person must do the plumbing installation.
- Do not change the specifications or modify this product. Risk of injury and damage to the appliance.

- Do not use the appliance:
  - If the mains cable or the water hoses are damaged.
  - If the control panel, worktop or plinth area are damaged so that you can get access to the inner side of the appliance.

Contact your local Customer Care Centre.

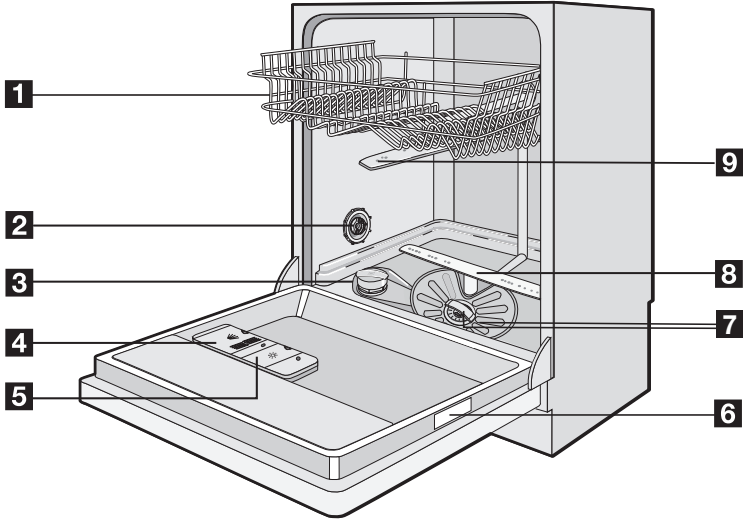
- Do not drill into the sides of the appliance otherwise damage to hydraulic and electrical components may occur.



**Warning!** Follow carefully the instructions for electrical and water connections.

## PRODUCT DESCRIPTION

---



- 1** Upper basket
- 2** Air vent
- 3** Salt container (the container is only functional for dishwashers with a water softener)
- 4** Detergent dispenser
- 5** Rinse aid dispenser
- 6** Rating plate
- 7** Filters
- 8** Lower spray arm
- 9** Upper spray arm

### Internal light

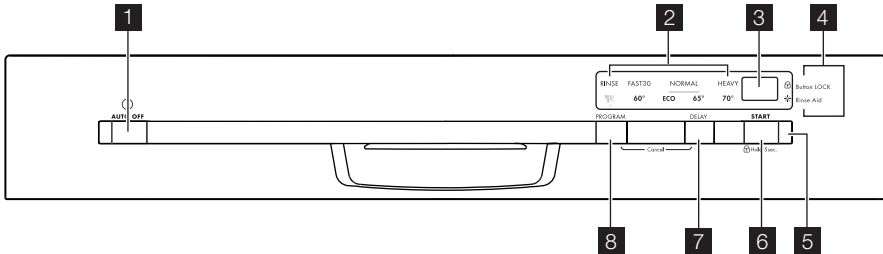
This appliance has an internal light that comes on when you open the door and goes off when the door is closed.

**Warning!** Visible led radiation, do not stare into the beam.

Internal light equipped with LED lamp CLASS 2 in accordance with IEC 60825-1: 1993 + A1:1997+ A2:2001.  
Emission wave length: 450 nm  
Maximum emitted power: 548  $\mu$ W



**i** If it is necessary to replace the light, contact your local Customer Care Centre.

## CONTROL PANEL



- 1 On/off button
- 2 Program indicators
- 3 Display
- 4 Indicators
- 5 START indicator
- 6 START button
- 7 DELAY button
- 8 PROGRAM button

### Indicators

	Button LOCK indicator. It comes on when the 'Button LOCK' function is activated.
	Rinse Aid indicator. It comes on when it is necessary to fill the rinse aid dispenser. 1)

1) When the rinse aid dispenser is empty, the related indicator does not come on while a washing program operates.

### On/off button

Press this button to switch on or off the appliance.

After 10 minutes from the end of the washing program, the AUTO OFF function automatically switches off the appliance. This helps to decrease energy consumption.

### The display

The display shows:

- The activation and deactivation of the rinse aid dispenser (only with the multitab function on)
- The time of the washing program
- The end of a washing program (the display shows a zero)
- The time of the delay start
- The alarm codes.

### START button

Press this button to:

- Start the washing program.
- Start the countdown of the delay start.

- Activate and deactivate the 'Button LOCK' function.

### Button LOCK function

The 'Button LOCK' function locks all buttons on the control panel.

To activate the function, press the START button for approximately 5 seconds. The 'Button LOCK' indicator comes on. To deactivate the function, press the START button for approximately 5 seconds. The 'Button LOCK' indicator goes off. At the end of the washing program the 'Button LOCK' function is deactivated by opening and closing the door or switching off the appliance.

### DELAY button

Press this button to delay the start of the washing program from 1 to 24 hours. Refer to 'Setting and starting a washing program'.

## PROGRAM button

Press this button repeatedly to set a washing program. Each time you press this button, a symbol that is related to a washing program comes on. Refer to 'Washing programs' chart.

## Setting mode

**The appliance must be in setting mode for these operations:**

- To set and start a washing program.
- To set and start a delay start.

**Press the on/off button. The appliance is in setting mode when:**

- All the program indicators come on.

**Press the on/off button. The appliance is not in setting mode when:**

- Only one program indicator comes on.
- The display shows the time of a washing program or a delay start.
  - To go back to the setting mode, it is necessary to cancel the program or the delay start. Refer to 'Setting and starting a washing program'.

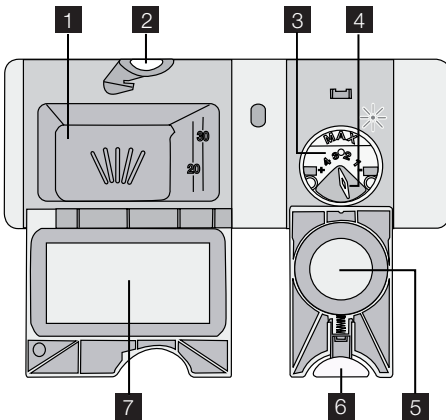
## USE OF THE APPLIANCE

**Refer to the specific instructions for each step of the procedure.**

1. Fill the rinse aid dispenser with rinse aid.
2. Load cutlery and dishes into the appliance.

3. Set the correct washing program for the type of load and soil.
4. Fill the detergent dispenser with the correct quantity of detergent.
5. Start the washing program.

## USE OF DETERGENT AND RINSE AID



### Filling with detergent

1. Press the release button **2** to open the lid **7** of the detergent dispenser.
2. Put the detergent in the dispenser **1**.
3. If the washing program has a prewash phase, put a small quantity of detergent on the inner part of the appliance door.
4. If you use the detergent tablets, put the tablet in the detergent dispenser **4**.
5. Close the detergent dispenser. Press the lid until it locks into position.

**i** Different brands of detergent dissolve in different times. Some detergent tablets do not have the best cleaning results during short washing programs. Use long washing programs when you use detergent tablets to fully remove the detergent.

### Use of detergent

**!** **Caution!** Only use detergents (powder, liquid or tablet) that are suitable for dishwashers.

Follow the recommendations on the detergent packaging for the use and storage of the detergent.

**🌱** To help the environment, do not use more than the correct quantity of detergent.

### Use of rinse aid

**!** **Caution!** Only use rinse aid specified for dishwashers.

Do not fill the rinse aid dispenser with other products (e.g. dishwasher cleaning agent, liquid detergent). This can cause damage to the appliance.

Rinse aid makes it possible to dry the dishes without streaks and stains.

Rinse aid is automatically added during the last rinsing phase.

Follow these steps to fill the rinse aid dispenser:

### Filling with rinse aid


1. Press the release button **6** to open the lid **5** of the rinse aid dispenser.
2. Fill the rinse aid dispenser **3** with rinse aid. The mark 'max' shows the maximum level.
3. Remove the spilled rinse aid with an absorbent cloth to prevent too much foam during the washing program.
4. Close the rinse aid dispenser. Press the lid until it locks into position.

### Adjusting the rinse aid dosage

Factory set: position 3.

You can set the rinse aid dosage between position 1 (lowest dosage) and position 4 (highest dosage).

Turn the rinse aid selector **4** to increase or reduce the dosage.

-  Wash hands to remove any residue of rinse aid from skin.

### Use of combi detergent tablets

These products are detergents with combined cleaning and rinsing functions. They can contain also other cleaning agents. Refer to the instructions from the manufacturer for the use of these products.

### When you use tablets that contain rinse aid:


- Set the lowest position for the rinse aid dosage.
- Do not put rinse aid in the rinse aid dispenser. In this condition rinse aid indicator light is always on when you switch on the appliance.

### Follow these steps if the drying results are not satisfactory or you want to use normal detergents again

1. Fill the rinse aid dispenser with rinse aid.
2. Adjust the rinse aid dosage.

## LOADING CUTLERY AND DISHES


### Helpful hints and tips


 **Caution!** Only use the appliance for household utensils that are suitable for dishwashers.

Do not use the appliance to clean objects that can absorb water (sponges, household cloths, etc.).

- Before you load cutlery and dishes:
  - Remove all remains of food and debris.
  - Soften burnt remains of food.
- While you load cutlery and dishes:
  - Load hollow items (e.g. cups, glasses and pans) with the opening down.
  - Make sure that water does not collect in the container or in a deep base.
  - Make sure that cutlery and dishes do not lie inside one another.
  - Make sure that cutlery and dishes do not cover other cutlery and dishes.
  - Make sure that glasses do not touch other glasses.
  - Put small objects in the cutlery basket.

- Plastic items and pans with non-stick coatings can retain water droplets. Plastic items do not dry as well as porcelain and steel items.
- Put light items in the upper basket. Make sure that the items do not move.

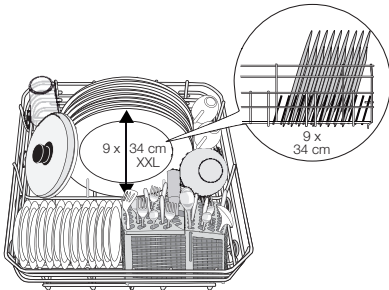
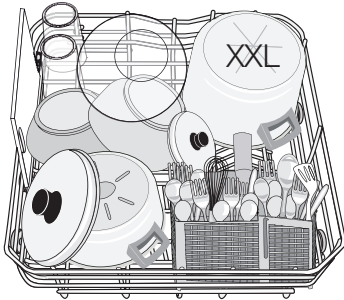
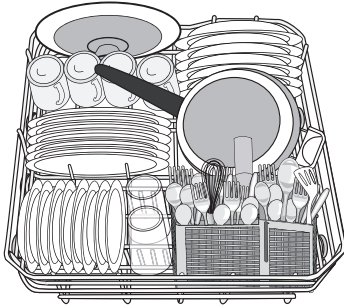
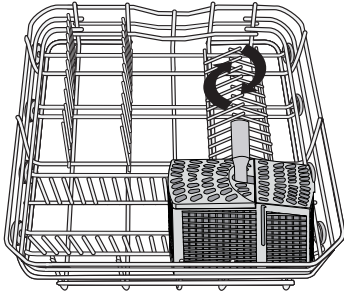
 **Caution!** Make sure that the spray arms can move freely before you start a washing program.

 **Warning!** Always close the door after you load or unload the appliance. An open door can be dangerous.

### Loading the lower basket

Put saucepans, lids, dishes, salad bowls and cutlery in the lower basket.

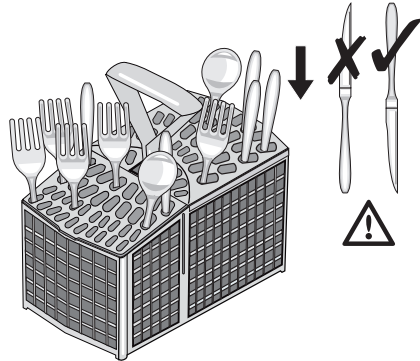
The rows of prongs in the lower basket can be adjusted flat to load large dishes, pots, pans and bowls.



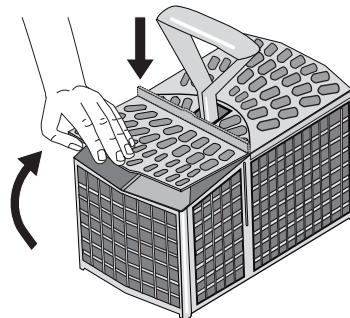
### Loading the cutlery basket

**Warning!** Do not put long-bladed knives in a vertical position. Arrange long and sharp cutlery horizontally in the upper basket. Be careful with sharp items.

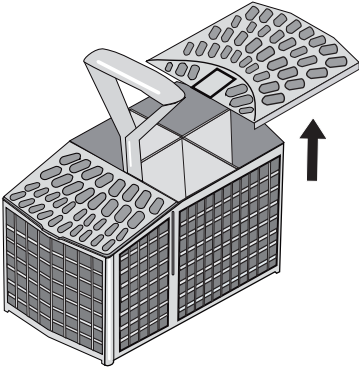
Forks and spoons should be placed in the removable cutlery basket with the handles facing downwards and the knives with their handles facing upwards



Mix spoons with other cutlery to prevent them from nesting together. For best results we recommend you use the cutlery grids. If the size and dimensions of the cutlery do not allow the use of the grids, they can be easily hidden or removed.

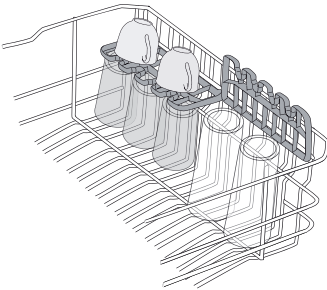
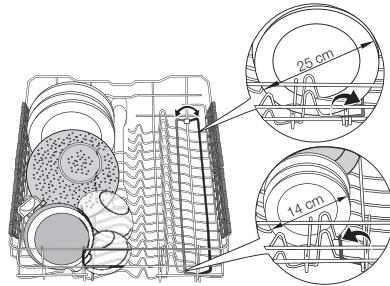
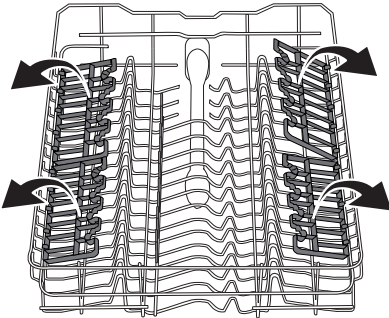
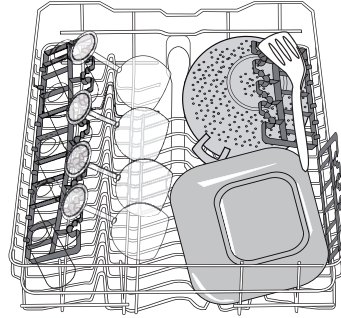
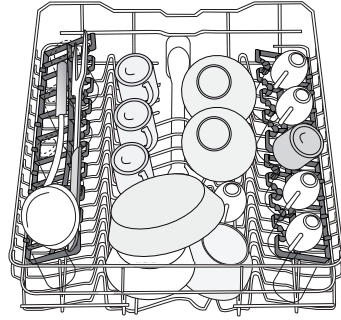






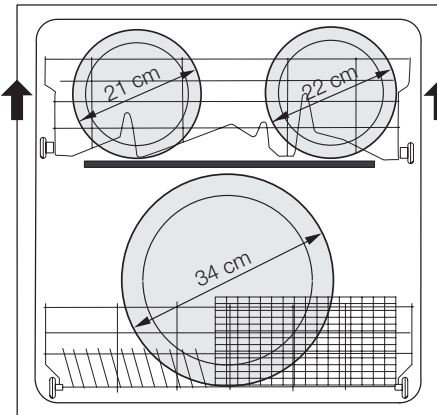
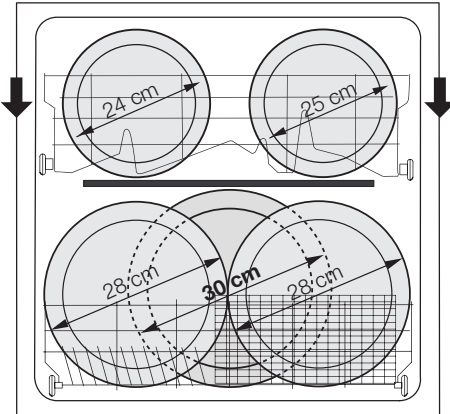
### Loading the upper basket

The upper basket is for plates, saucers, salad bowls, cups and glasses. Arrange the items to let water touch all surfaces. Put glasses with long stems in the cup racks with the stems up. For longer items, fold the cup racks up.



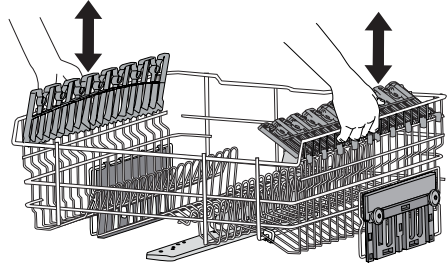
### Adjusting the height of the upper basket

If you put large plates in the lower basket, first move the upper basket to the upper position.



### Follow these steps to move the upper basket to the upper position:

1. Pull the basket out until it stops.
2. Carefully lift the two sides until the mechanism is engaged and the basket is stable.



### Follow these steps to move the upper basket to the lower position:

1. Pull the basket out until it stops.
2. Carefully lift the two sides upwards, the mechanism disengages.
3. Slowly guide the basket back down.

**⚠ Caution!** Do not lift or lower the basket on one side only.

## SETTING AND STARTING A WASHING PROGRAM

### Starting the washing program without delay start

1. Close the appliance door.
2. Switch on the appliance. Make sure that the appliance is in setting mode.
3. Set a washing program. Refer to 'Washing programs'.
  - The related program indicator comes on.
  - All other program indicators go off.
  - The time of the program flashes in the display.
  - The START indicator flashes.
4. Press the START button. The washing program starts.
  - The time of the program is no longer flashing in the display.
  - The START indicator is no longer flashing.

### Starting the washing program with delay start

1. Close the appliance door.
2. Switch on the appliance. Make sure that the appliance is in setting mode.
3. Set a washing program.
4. Press the DELAY button repeatedly until the display shows the time you want to set for the delay start.
  - The time of the delay start flashes in the display.
5. Press the START button. The countdown starts.

When the countdown is completed, the washing program starts automatically.

- i** The opening of the appliance door interrupts the countdown. When you close the door, the countdown continues from the point of interruption.

### Cancelling the delay start

#### If you have not yet pressed the START button

1. Press the DELAY button repeatedly until the display shows the time of the washing program.
2. Press the START button, the washing program starts.

### If the START button has been pressed and the countdown operates

- Press the DELAY button repeatedly until the display shows the time of the washing program. After a few seconds the washing program starts automatically.

**!** **Warning! Only interrupt or cancel a washing program if necessary. Attention! Open the door carefully. Hot steam and water can escape.**

### Interrupting a washing program

- Open the appliance door. The washing program stops.
- Close the appliance door. The washing program continues from the point of interruption.

### Cancelling the washing program

If you have not yet pressed the START button, you can change the setting.

To change the setting while the washing program operates, it is necessary to cancel the program.

- Press and hold the PROGRAM button and the DELAY button at the same time until all the program indicators come on.

- i** Make sure that there is detergent in the detergent dispenser before you start a new washing program.

### End of the washing program

When the washing program is completed, the display shows 0.

1. Switch off the appliance.
2. Open the appliance door.

- i** For better drying results, keep the appliance door ajar for some minutes.

### Removing the load

- Let the dishes cool down before you remove them from the appliance. Hot dishes are easily damaged.
- First remove items from the lower basket, then from the upper basket.
- There can be water on the sides and door of the appliance. Stainless steel becomes cool more quickly than the dishes.

## WASHING PROGRAMS

Program	Type of soil	Type of load	Program description
<b>RINSE</b>	Use this program to quickly rinse the dishes. This prevents the remaining food to bond on the dishes and bad odours to come out from the appliance. Do not use detergent with this program.		Rinse
<b>FAST30</b> <sup>1)</sup>	Fresh soil	Crockery and cutlery	Wash 60 °C Rinse
<b>NORMAL</b> <sup>2)</sup>	Normal soil	Crockery and cutlery	Prewash Wash 50 °C Rinses Dry
<b>HEAVY</b>	Heavy soil	Crockery, cutlery, pots and pans	Prewash Wash 70 °C Rinses Dry
<b>SENSOR</b> <sup>3)</sup>	All	Crockery, cutlery, pots and pans	Prewash Wash 45 °C or 70 °C Rinses Dry

1) With this program you can wash a load with fresh soil. It gives good washing results in a short time.

2) This is the standard program for test institutes. With this program you have the most efficient use of water and energy consumption for crockery and cutlery with normal soil. Refer to the supplied leaflet for test information.

3) The appliance senses the type of soil and the quantity of items in the baskets. It automatically adjusts the temperature and quantity of the water, the energy consumption and the program time.

### Consumption values

Program <sup>1)</sup>	Energy (kWh)	Water (litre)
<b>RINSE</b>	0.05	4
<b>FAST30</b>	0.9	9
<b>NORMAL</b>	0.67 - 0.81	10.2 - 12.5
<b>HEAVY</b>	1.4 - 1.6	15 - 16
<b>SENSOR</b>	0.9 - 1.7	8 - 17

1) The display shows the time of the program.

**i** The water pressure and temperature, the variations of the mains supply and

the quantity of dishes can change the consumption values.

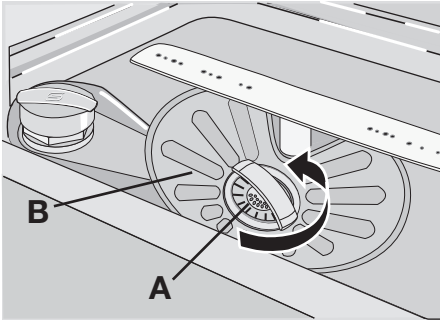
## CARE AND CLEANING

### To remove and clean the filters

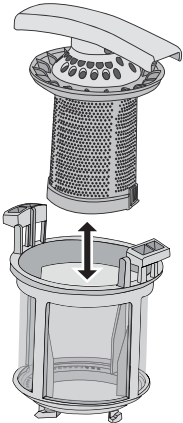
**Warning!** Switch the appliance off before you carry out any cleaning operation.

Dirty filters decrease the washing results. Although the maintenance is very low with these filters, we recommend that you regularly check the filters and clean them if necessary.

1. To remove filter (A), turn it counterclockwise and remove it out from filter (B).

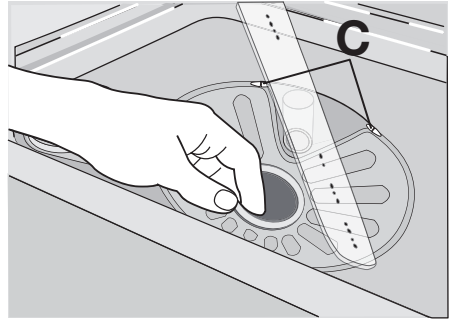


2. Filter (A) has 2 parts. To disassemble the filter, pull them apart.



3. Thoroughly clean the parts under running water.
4. Put the 2 parts of the filter (A) together and push. Make sure that they assemble correctly in each other.
5. Remove filter (B).

6. Thoroughly clean filter (B) under running water.
7. Put filter (B) to its initial position. Make sure that it assembles correctly under the two guides (C).



8. Put filter (A) into position in filter (B) and turn it clockwise until it locks.

### Cleaning the spray arms

Do not remove the spray arms. If the holes in the spray arms become clogged, remove remaining parts of soil with a thin pointed object.

### External cleaning

Clean the external surfaces of the appliance and control panel with a damp soft cloth. Only use neutral detergents. Do not use abrasive products, scouring pads or solvents (e.g. acetone).


### Internal cleaning

We recommend, every 3 months to run a washing program for heavily soiled dishes. Use detergent, but do not put dishes in the appliance.

### When the appliance is not to be used for a long period

1. Disconnect the mains plug from the mains socket.
2. Close the water tap.
3. Leave the door open to prevent unpleasant smells.
4. Keep the inner side of the appliance clean.

## Frost precautions

 **Caution!** Do not install the appliance where the temperature is below 0 °C. The manufacturer is not responsible for damage caused by frost.

## Moving the appliance

1. Disconnect the mains plug from the mains socket.

2. Close the water tap.
3. Remove the appliance and the hoses.
4. Do not tilt the appliance during transport.


## WHAT TO DO IF...

The appliance does not start or stops during operation.

If there is a fault, first try to find a solution to the problem yourself. Refer to following charts. If you cannot find a solution to the problem, contact your dealer or the Customer Care Centre.

**With some malfunctions, the display shows an alarm code:**

- **,10** - The appliance does not fill with water
- **,20** - The appliance does not drain the water
- **,30** - The anti-flood device operates.

 **Warning!** Switch the appliance off before you do the suggested corrective actions.

Malfunction	Possible cause	Possible solution
The appliance does not fill with water	The water tap is closed.	Open the water tap.
	The filter in the water inlet hose is blocked.	Clean the filter.
	The installation of the water inlet hose is not correct. The hose can be kinked or squashed.	Make sure that the installation is correct.
	The water tap is blocked or restricted with limescale.	Clean the water tap.
The appliance does not drain the water	The water pressure is too low.	Contact your local water authority.
	There is a blockage in the sink spigot.	Clean the sink spigot.
The anti-flood device operates	The installation of the water drain hose is not correct. The hose can be kinked or squashed.	Make sure that the installation is correct.
		Close the water tap and contact your Customer Care Centre.
The program does not start	The appliance door is not closed.	Close the door.
	The START button has not been pressed.	Press the START button.
	Mains plug is not connected.	Plug-in the appliance to the mains.
	The delay start is set.	<ul style="list-style-type: none"> <li>• Cancel the delay start.</li> <li>• Wait until the countdown of the delay start is completed.</li> </ul>
	The fuse has blown out in the household fuse box	Replace the fuse.

After the check, switch on the appliance. The program continues from the point of in-

terruption. If the malfunction occurs again, contact your Customer Care Centre.

If the display shows an alarm code, not described in the chart, contact your Customer Care Centre.

When you contact the Customer Care Centre you will need to give some details of the

appliance that can be found on the rating plate (e.g. model number, serial number, product number). We recommend that you record these details.

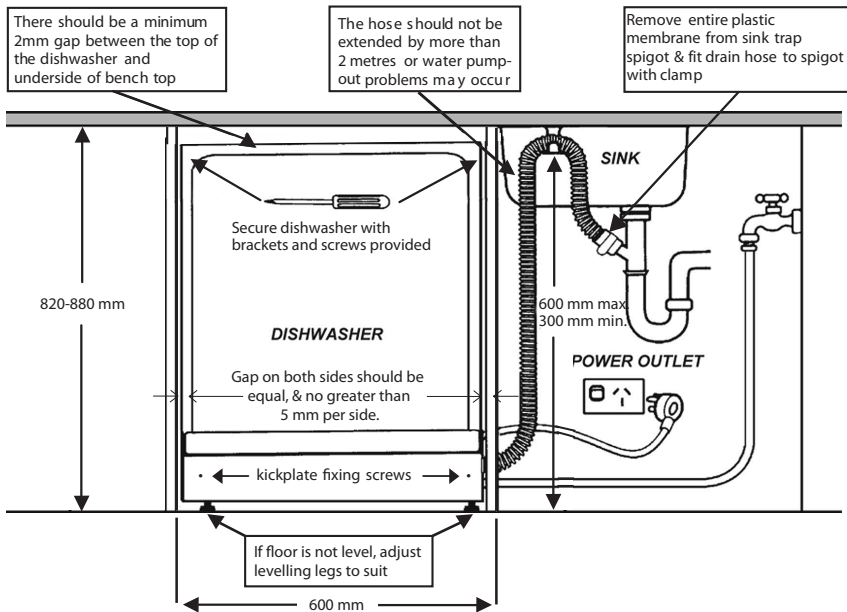
### The washing results and drying results are not satisfactory

Problem	Possible cause	Possible solution
The dishes are not clean.	The selected washing program was not suitable for the type of load and soil.	Make sure that the washing program is suitable for the type of load and soil.
	The baskets were not loaded correctly, water did not touch all surfaces.	Load the baskets correctly.
	The spray arms could not turn freely because of incorrect arrangement of the load.	Make sure that an incorrect arrangement of the load does not cause a blockage of the spray arms.
	The filters are dirty or not assembled and installed correctly.	Make sure that the filters are clean and correctly assembled and installed.
	The quantity of detergent was not sufficient or missing.	Make sure that the quantity of detergent is sufficient.
There are streaks, milky stains, or a bluish layer on glasses and dishes.	Rinse aid dosage is too high.	Decrease the rinse aid dosage.
Dry water drop stains on glasses and dishes.	Rinse aid dosage is too low.	Increase the rinse aid dosage.
	The detergent can be the cause.	Use a different brand of detergent.
The dishes are wet and dull.	The rinse aid dispenser is empty.	Fill the rinse aid dispenser with rinse aid.
The dishes are wet.	You have set a washing program without drying phase or with a decreased drying phase.	Leave the door ajar for some minutes before you remove the dishes.

## TECHNICAL DATA

Dimensions	Width	596 mm
	Height	818 - 878 mm
	Depth	580 mm
Electrical connection	Voltage	220-240 V
	Overall power	2200 W
	Fuse	10 A
	Frequency	50 Hz
Water supply pressure	min.	50 kPa (7 psi)
	max.	800 kPa (116 psi)
Capacity	Place settings	13

## INSTALLATION



**Warning!** Make sure that mains plug is disconnected from the mains socket during installation.

Make sure that the water inlet hose, the drain hose and the mains cable are not kinked or squashed, when you insert the appliance.

Install the appliance under a kitchen counter.

If a repair is necessary, the appliance must be easily accessible for the engineer.

Put the appliance adjacent to a water tap and drain.

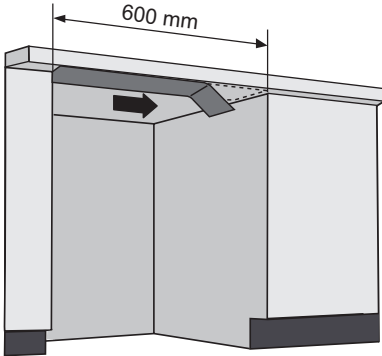
For the venting of the appliance only water hoses and mains cable openings are necessary.

The appliance has adjustable feet to allow the adjustment of its height.



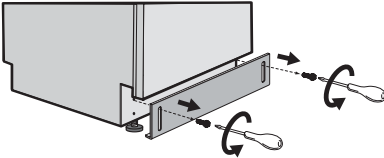
### Adhesive steam protection foil

Fit the steam protection on the front part of the kitchen counter along the entire width.

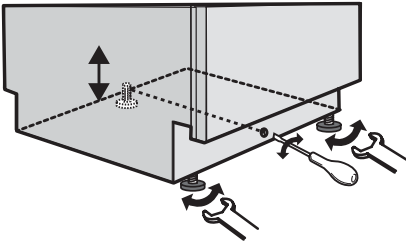


### Adjusting the height of the appliance

1. Remove the adjustable plinth.



2. – To lift the front of the appliance, turn the two front feet counterclockwise.  
– To lift the rear of the appliance, turn the middle screw counterclockwise.



### Adjusting the level of the appliance

A correct adjustment of the level of the appliance allows the door to close and seal correctly.

If the door does not close correctly, loosen or tighten the adjustable feet to level the appliance.

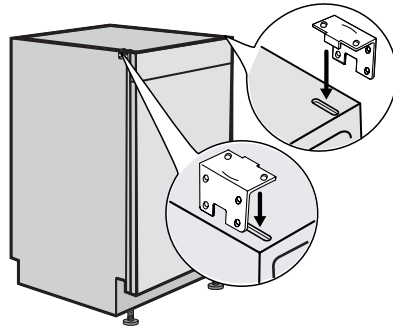
After the adjustment of the level of the appliance, assemble the adjustable plinth on the appliance.

### Installing the appliance under the kitchen counter or to adjacent units

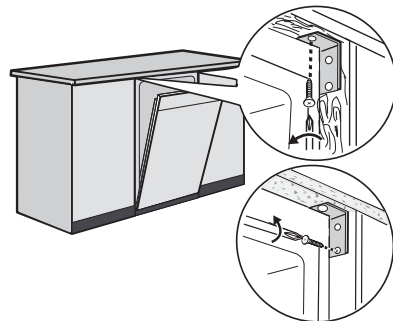
**Warning!** To prevent injury or damage, make sure that the appliance is installed under and adjacent safe structures.

Use the brackets to attach the appliance under the kitchen counter or to the adjacent units.

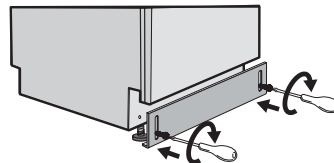
1. Install the brackets in the slots on the top of the appliance.



2. Adjust the height and level of the appliance.
3. Use the screws (on the top or on the side) to install the appliance in position. Make sure that the screws are tight.



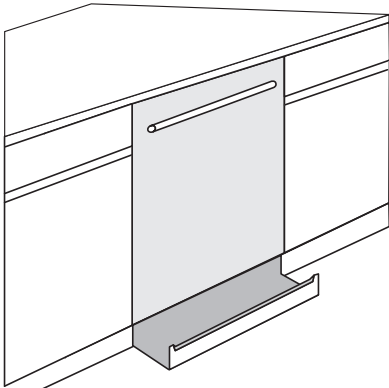
4. Make sure that the bottom of the adjustable plinth is aligned with the ground.



### Custom made kick-panel

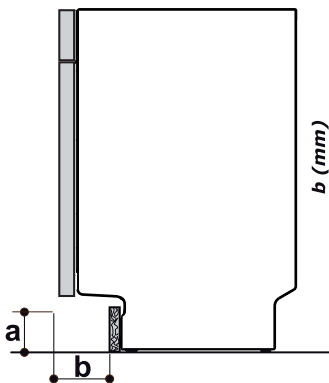
For integrated appliances and full-stainless-steel door appliances.

We recommend that you make a custom made kick-panel that aligns your kitchen cabinets.

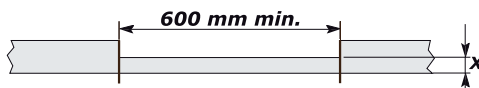


A notched continuous panel is necessary to prevent door swing interference and to keep kick-panel alignment with adjacent units.

1. Cut a notch in the kick-panel sufficient to let the door swing freely under the appliance (refer to the chart).
2. Make a check for interference. Open and close the door slowly. If the door touches the kick-panel, trim to prevent interference.
3. Attach the kick-panel to adjacent cabinets so that if service is necessary you can remove it.



		<i>a (mm)</i>										
		40	50	60	70	80	90	100	110	120	130	140
<i>b (mm)</i>	40	32	41	50	60	68	76	84	91	98	104	109
	50	32	41	50	60	68	76	84	91	98	103	109
	60	32	42	51	60	69	77	85	93	100	105	140
	70	34	43	53	62	71	80	88	96	103	130	140
	80	36	46	55	65	74	83	92	101	120	130	140
90	40	50	60	70	80	90	100	110	120	130	140	
100	40	50	60	70	80	90	100	110	120	130	139	



## WATER CONNECTION

### Water inlet hose

Connect the appliance to a cold water supply.

Connect the inlet hose to a water tap with an external BSP thread spout of 3/4". Once connected the inlet hose to the water tap, turn the tap on and check that there are no leaks.

### Inlet water supply

- Cold water pressure: 800 kPa max - 50 kPa min.
- Water flow rate 10 L / minute min.
- If cold water pressure is in excess of 800 kPa, a pressure reducing valve should be used. Check for leaks.

**Caution!** Always use new hoses when you connect the appliance to the water mains. Old hoses must not be used. The water inlet hose must be examined at an interval of twelve months for deterioration and replaced if necessary.

The water pressure must be in the limits, refer to 'Technical data'.

Make sure that the local water authority gives you the average mains pressure in your area.

Make sure that there are no kinks in the water inlet hose and that the water inlet hose is not squashed or entangled.

Fit the hose nut correctly to prevent water leaks.

**Caution!** Do not connect the appliance to new pipes or pipes that have been not used for a long time. Let the water run for some minutes, then connect the inlet hose.

The water inlet hose is double-walled and has an inner mains cable and a safety valve. The water inlet hose is under pressure only while the water is running. If there is a leak in the water inlet hose, the safety valve interrupts the running water. Be careful when you install the water inlet hose.

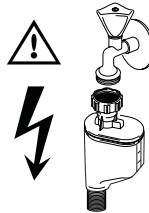
### Warning!

- The mains cable is in the double-walled inlet hose. Do not immerse

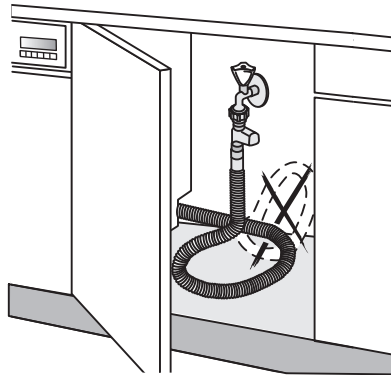
the water inlet hose or the safety valve in water.

- Do not attempt to shorten the inlet hose.
- If the water inlet hose or the safety valve is damaged, immediately turn off the power and remove the mains plug from the mains socket.
- Only a qualified Service Engineer can replace the water inlet hose with safety valve.

### Warning!



Dangerous voltage



**i** In order to pass the safety valve through the kitchen cabinets, an opening of at least 45 mm x 90 mm is needed.

### Water drain hose

Use the supplied hose clamp to connect the water drain hose to the sink.

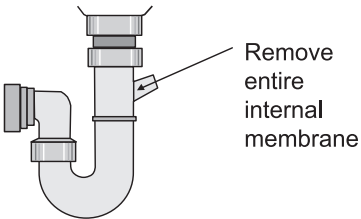
The highest point of the drain hose must be no more than 600 mm from the floor and must have a continuous fall to the plumbing connection.

The drain hose can be lengthened using additional lengths and connectors. These must be purchased from Electrolux Spare Parts. The extension length must not exceed 2 metres.

The drain hose must be free of kinks and obstructions.

Remove the sink plug when the appliance drains the water to prevent that the water goes back into the appliance.

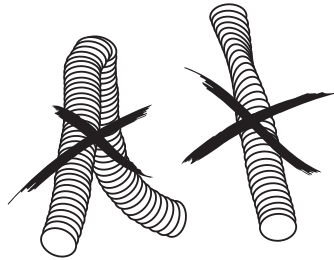
If you connect the water drain hose to a trap spigot under the sink, remove the plastic membrane. If you do not remove the membrane, remaining food can cause a blockage in the drain hose spigot



**i** The appliance has a security feature to prevent dirty water going back into the

appliance. If, the spigot of the sink has a 'non-return valve', this valve can cause the appliance to drain incorrectly. Remove the non-return valve.

**!** **Caution!** Make sure that the water couplings are tight to prevent water leakage. Ensure that hoses are not crushed or kinked under or behind the appliance.



Once connected the inlet hose to the water tap, turn the tap on and check that there are no leaks.

## ELECTRICAL CONNECTION

---



### Warning!

- The manufacturer accepts no liability for failure to observe the below safety precautions.
- Safety standards require the appliance to be earthed.
- Prior to using the appliance for the first time, ensure that the rated voltage and type of supply on the rating plate match that of the supply where the appliance is to be installed.
- The fuse rating can be found on the rating plate and in 'Technical data'.
- Always plug the mains plug onto a correctly installed approved socket.
- Do not use multi-ways plugs, connectors and extension cables. This

can constitute a fire hazard through overheating.

- If necessary, have the domestic wiring system socket replaced. If the mains cable has to be replaced, contact your local Customer Care centre.
- The mains plug must be accessible after the appliance has been installed.
- Never unplug the appliance by pulling on the cable. Always pull the plug.
- Test the appliance. Run a quick washing program and ensure that the appliance fills with water, washes and drains with no leaks.

## ENVIRONMENT CONCERNS

---

The packaging materials are environmentally friendly and can be recycled. The plastic components are identified by markings, e.g. >PE<, >PS<, etc. Discard the packaging materials in the applicable container at the community waste disposal facilities.



**Warning!** Follow these instructions to discard the appliance:

- Pull the mains plug out of the socket.
- Cut off the mains cable and the mains plug and discard them.
- Discard the door catch. This prevents children from closing themselves inside the appliance and endangering their lives.

### Old appliance

Make sure that the appliance goes to the applicable collection point for recycling. Make sure that this appliance is discarded correctly. Inappropriate waste discard of the appliance causes negative consequences for the environment and human health. For more information about the recycling of this appliance, contact your local city office, your household waste disposal service or the shop where you purchased the appliance.

## WARRANTY

### **Electrolux**

FOR SALES IN AUSTRALIA AND NEW ZEALAND

**This document sets out the terms and conditions of product warranties for Electrolux branded appliances. It is an important document. Please keep it with your proof of purchase documents in a safe place for future reference should you require service for your Electrolux appliance. General Terms and Conditions**

1. In this warranty
  - Electrolux' means Electrolux Home Products Pty Ltd ABN 51 004 762 341 in respect of Appliances purchased in Australia and Electrolux (NZ) Limited in respect of Appliances purchased in New Zealand;
  - 'Appliance' means any Electrolux product purchased by you accompanied by this document;
  - 'Warranty Period' means
    - i) where you use the Appliance for personal, domestic or household purposes in Australia the period of 24 months and in New Zealand the period of 24 months;
    - ii) where you use the Appliance for commercial purposes, in Australia the period of 0 months and in New Zealand the period of 0 months, (if the period stated is 0 months you are not covered by this product warranty) following the date of original purchase of the Appliance;
  - 'you' means the purchaser of the Appliance not having purchased the appliance for re-sale, and 'your' has a corresponding meaning.
2. This warranty only applies to Appliances purchased and used in Australia or New Zealand and is in addition to (and does not exclude, restrict, or modify in any way) any non-excludable statutory warranties in Australia or New Zealand.
3. Electrolux warrants that, when dispatched from an Electrolux warehouse, the Appliance is free from defects in materials and workmanship for the Warranty Period.
4. During the Warranty Period Electrolux or its Authorised Service Centre will, at no extra charge if your appliance is readily accessible without special equipment, and subject to these terms and conditions, repair or replace any parts which it considers to be defective. You agree that any replaced Appliances or parts become the property of Electrolux. This warranty does not apply to light globes, batteries, filters or similar perishable parts.
5. Parts and Appliances not supplied by Electrolux are not covered by this warranty.
6. Where you are within an Electrolux service area, this warranty covers the cost of transport of the Appliance to and from Authorised Service Centres of Electrolux and travelling costs for representatives of the Authorised Service Centre to and from your home or business. If you are outside an Electrolux service area, you will bear these costs. For information about whether you are within an Electrolux service area, please phone 13 13 49 in Australia, or 0800 10 66 10 in New Zealand.
7. Proof of purchase is required before you can make a claim under this warranty.

8. You may not make a claim under this warranty unless the defect claimed is due to faulty or defective parts or workmanship. Electrolux is not liable in the following situations (which are not exhaustive):
- The Appliance is damaged by
    - i) accident
    - ii) misuse or abuse, including failure to properly maintain or service
    - iii) normal wear and tear
    - iv) power surges, electrical storm damage or incorrect power supply
    - v) incomplete or improper installation
    - vi) incorrect, improper or inappropriate operation
    - vii) insect or vermin infestation.
  - The Appliance is modified without authority from Electrolux in writing.
  - The Appliance's serial number or warranty seal has been removed or defaced.
  - The Appliance was serviced or repaired by anyone other than Electrolux or its Authorised Service Centres.
9. This warranty, the contract to which it relates and the relationship between you and Electrolux are governed by the law applicable in the Australian State where the Appliance was purchased or the law applicable in New Zealand if the Appliance was purchased in New Zealand. Where the Appliance was purchased in New Zealand for business purposes the Consumer Guarantee Act does not apply.
10. **Limitation of Liability**
10. To the extent permitted by law:
- Electrolux excludes all warranties other than as contained in this document;
  - Electrolux shall not be liable for any loss or damage whether direct or indirect or consequential arising from your purchase, use or non-use of the Appliance.
11. Provisions of the Trade Practices Act and State consumer legislation in Australia, and the Consumer Guarantees Act, the Sale of Goods Act and the Fair Trading Act in New Zealand, imply warranties or conditions, or impose obligations, upon Electrolux which cannot be excluded, restricted or modified. To the extent permitted by law, the liability of Electrolux (if any) arising out of or in relation to the Appliance or any services supplied by Electrolux shall be limited (where it is fair and reasonable to do so),:
- in the case of Appliances, at its option, to the replacement or repair of the Appliances or the supply of equivalent products or the payment of the cost of replacing the Appliances or having the Appliances repaired or of acquiring equivalent Appliances. Upon being replaced, parts and Appliances become the property of Electrolux; or
  - in the case of services, at its option, to the supply of the services again or the payment of the cost of having the services re-supplied;
- and in the case of Appliances or services supplied in New Zealand, loss or damage whether direct or indirect or consequential that is reasonably foreseeable.

### **Privacy**

You acknowledge that in the event that you make a warranty claim it will be necessary for Electrolux and its Authorised Service Centres to exchange information in relation to you to enable Electrolux to meet its obligations under this warranty.

### **Important Notice**

Before Calling a Service Technician please check carefully the operating instructions, service booklet and the warranty terms and conditions.

**FOR SERVICE**

OR TO FIND THE ADDRESS OF YOUR NEAREST STATE SERVICE CENTRE IN AUSTRALIA

**Please call 13 13 4 9**

For the cost of a local call (Australia only)

**SERVICE AUSTRALIA**

 **Electrolux**  
**ELECTROLUX HOME PRODUCTS**

**FOR SPARE PARTS**

OR TO FIND THE ADDRESS OF YOUR NEAREST STATE SPARE PARTS CENTRE IN AUSTRALIA

**Please call 13 13 50**

For the cost of a local call (Australia only)

**FOR SERVICE**

OR TO FIND THE ADDRESS OF YOUR NEAREST AUTHORIZED SERVICE CENTRE IN NEW ZEALAND

**Free call 0800 10 66 10**

(New Zealand only)

**SERVICE NEW ZEALAND**

 **Electrolux**  
**ELECTROLUX HOME PRODUCTS**

**FOR SPARE PARTS**

OR TO FIND THE ADDRESS OF YOUR NEAREST SPARE PARTS CENTRE IN NEW ZEALAND

**Free call 0800 10 66 20**

(New Zealand only)









[www.westinghouse.com.au](http://www.westinghouse.com.au)