

USER MANUAL

Top Mount Frost Free Refrigerator Freezer



REFRIGERATION

Models: WTM1800WC, WTM2000WC



Westinghouse

CONTENTS

CONGRATULATIONS

Congratulations and thank you for choosing our refrigerator/freezer. We are sure you will find your new appliance a pleasure to use. Before you use the appliance, we recommend that you read through the relevant sections of this manual, which provides a description of your appliance and its functions.

To avoid the risks that are always present when you use an electric appliance, it is important that the appliance is installed correctly and that you read the safety instructions carefully to avoid misuse and hazards.

We recommend that you keep this instruction booklet for future reference and pass it on to any future owners.

After unpacking the appliance, please check it is not damaged. If in doubt, do not use the appliance but contact your local customer care centre.

CONTENTS

Important safety instructions	3
WTM1800WC features	4
WTM2000WC features	5
Installing your new appliance	6
Ventilation around your appliance.	6
Installing your refrigerator	6-7
Initial start-up	7
Using your appliance	7-8
Making ice	8
Removing/replacing chiller door & drawer	9
Replacing the lamp (WTM1800WC)	9
Replacing the lamp (WTM2000WC)	10
General information	11
Cleaning the appliance	11
Safety	11
Switching off your appliance	11
Reversing the door opening direction	12
Troubleshooting	14
Warranty	15



TIPS & INFORMATION

IMPORTANT – CHECK FOR ANY DAMAGES OR MARKS. If you find the refrigerator is damaged or marked, you must report it within 7 days if you wish to claim for damage/marks under the manufacturers warranty. This does not affect your statutory rights.



ENVIRONMENTAL TIPS

INFORMATION ON DISPOSAL FOR USERS

- Most of the packing materials are recyclable. Please dispose of those materials through your local recycling depot or by placing them in appropriate collection containers.
- If you wish to discard this product, please contact your local authorities and ask for the correct method of disposal.

IMPORTANT SAFETY INSTRUCTIONS

Please read the user manual carefully and store in a handy place for later reference.
The symbols you will see in this booklet have these meanings:



WARNING

This symbol indicates information concerning your personal safety



CAUTION

This symbol indicates information on how to avoid damaging the appliance



TIPS & INFORMATION

This symbol indicates tips and information about use of the appliance



ENVIRONMENTAL TIPS

This symbol indicates tips and information about economical and ecological use of the appliance

Meanings of symbols used in this manual are shown below:



This symbol indicates never to do this



This symbol indicates always do this



WARNING

- If pressurised aerosol containers bear the word 'flammable' and/or a small flame symbol, do not store them inside any refrigerator or freezer. If you do so you may cause an explosion.
- When you dispose of your old refrigerators and freezers, remove any doors. Children can suffocate if they get trapped inside.
- This appliance contains insulation formed with flammable blowing gases. Avoid safety hazards by carefully disposing of this appliance.



WARNING

- ✓ The refrigerator must be plugged into its own dedicated 220-240V, 50Hz AC electrical outlet.
- ✓ The plug must be accessible when the refrigerator is in position.
- ✓ It is essential the power point is properly earthed to ground. Consult a qualified electrician if you are unsure.
- ✗ Don't use extension cords or adapter plugs with this refrigerator.
- ✓ If the power cord is damaged, have it replaced by a qualified service technician.
- ✓ Unplug the refrigerator before cleaning it, or changing the light bulb to avoid electric shock.
- ✗ Never unplug the refrigerator by pulling the electrical cord as this may damage it. Grip the plug firmly and pull straight out.
- ✓ Choose a location for your refrigerator that isn't too cold. The ambient room temperature should be above 10°C.
- ✓ Stand your refrigerator in a dry place – avoid areas of high moisture or humidity.
- ✗ Don't put the refrigerator in frosty or unprotected areas like a garage or on the verandah.
- ✓ Keep the refrigerator out of direct sunlight.
- ✓ Don't locate the refrigerator near stoves, fires or heaters.
- ✓ When installed correctly, your refrigerator should:
 - Have adequate space at the back and sides for air circulation (refer to page 6).
 - Be aligned to the surrounding cupboards.
 - Have doors that will self-close from a partially open position.



WARNING

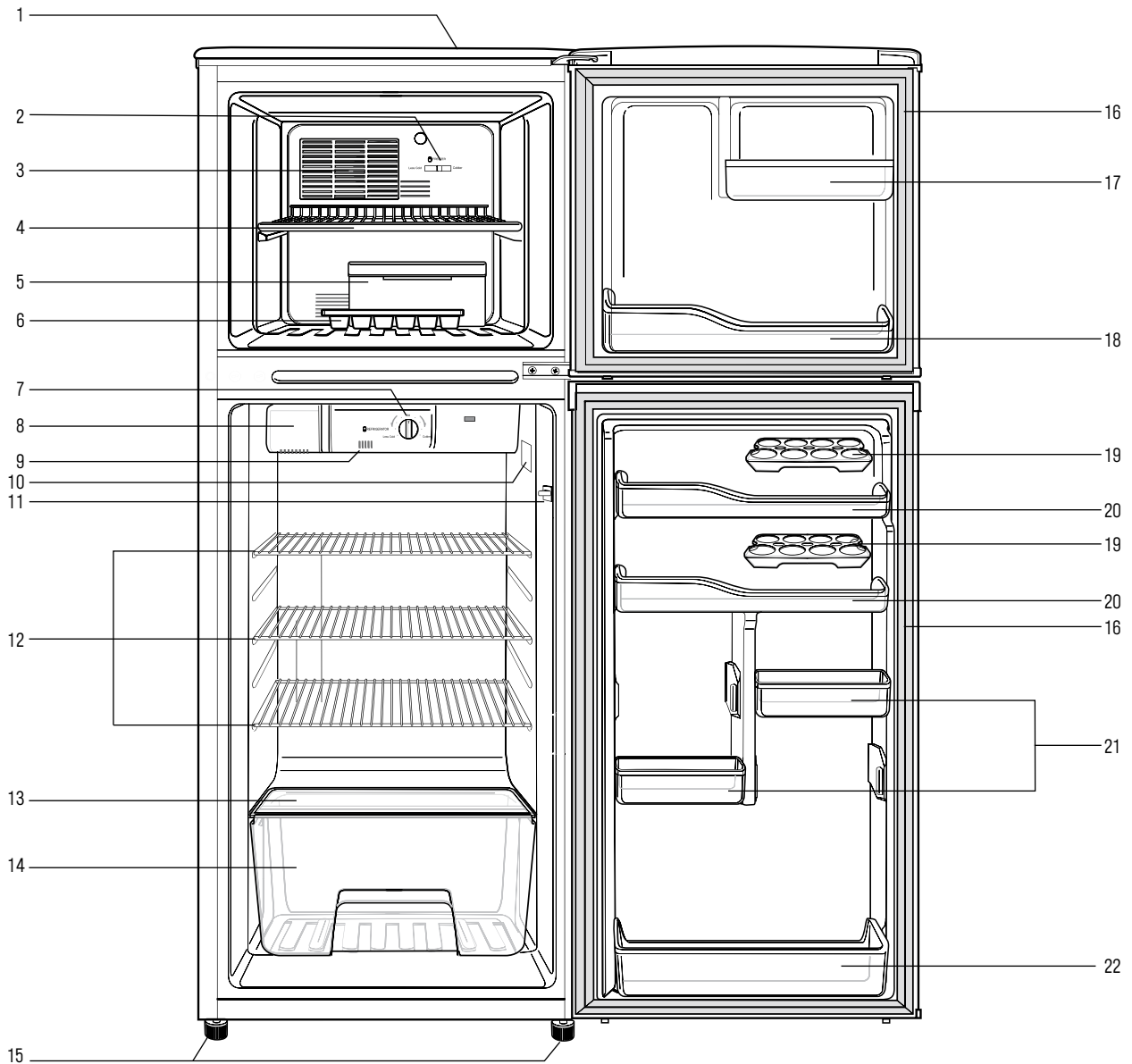
R600A REFRIGERANT WARNING

This appliance may contain a small quantity of environmentally friendly, but flammable, non-synthetic R600a refrigerant:

- Ensure that the tubing of the refrigerant circuit is not damaged during transportation and installation.
- The room for installing appliance must be at least 1 m³ per 8g of refrigerant. The amount of refrigerant charged in the appliance can be found on the rating plate on the appliance.
- Keep ventilation openings in the appliance enclosure or in the built-in structure, clear of obstruction.
- Do not use mechanical devices or other means to accelerate the defrosting process, other than those recommended by the manufacturer.

FEATURES

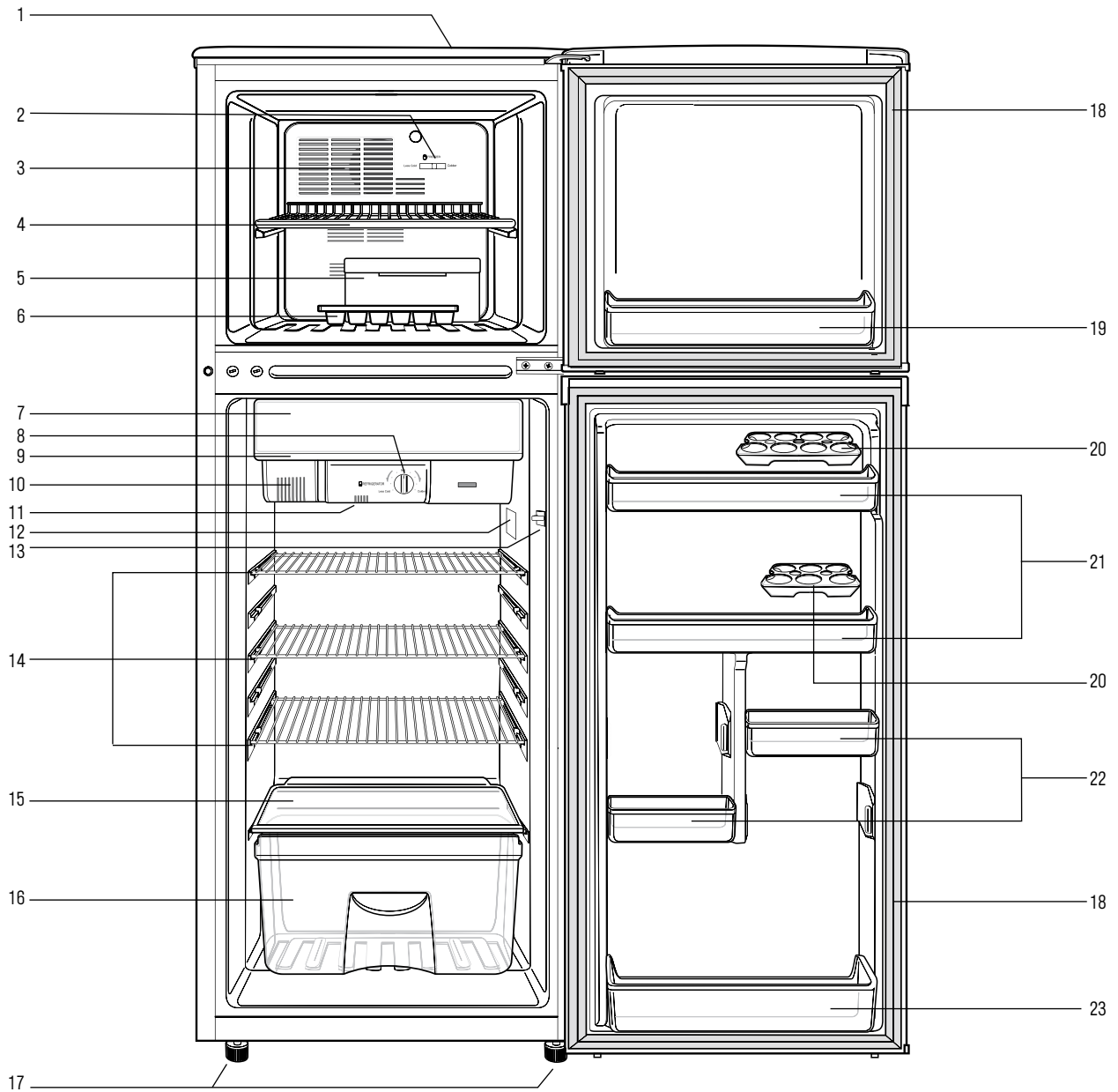
WTM1800WC FEATURES



- | | | |
|-----------------------------|----------------------------|-------------------------------|
| 1 Top cover | 9 Temperature sensor | 17 Top freezer bin |
| 2 Freezer control slide | 10 Fast chill zone sticker | 18 Bottom freezer bin |
| 3 Fan housing | 11 Light switch | 19 Egg trays |
| 4 Wire freezer shelf | 12 Wire shelves | 20 Full width fridge door bin |
| 5 Ice bin | 13 Crisper cover | 21 Half width fridge door bin |
| 6 Ice tray | 14 Vegetable crisper | 22 Bottom fridge door bin |
| 7 Refrigerator control knob | 15 Levelling legs | |
| 8 Light | 16 Door gaskets/seals | |

Features may vary depending on model. Not all models will have features listed.

WTM2000WC FEATURES



- | | | |
|-----------------------------|----------------------------|-------------------------------|
| 1 Top cover | 9 Chiller drawer | 17 Levelling legs |
| 2 Freezer control slide | 10 Light | 18 Door gaskets/seals |
| 3 Fan housing | 11 Temperature sensor | 19 Freezer bin |
| 4 Wire freezer shelf | 12 Fast chill zone sticker | 20 Egg trays |
| 5 Ice bin | 13 Light switch | 21 Full width fridge door bin |
| 6 Ice tray | 14 Wire shelves | 22 Half width fridge door bin |
| 7 Chiller door | 15 Crisper cover | 23 Bottom fridge door bin |
| 8 Refrigerator control knob | 16 Vegetable crisper | |

Features may vary depending on model. Not all models will have features listed.



INSTALLATION

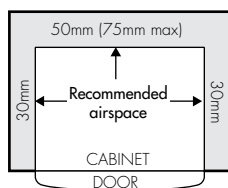
INSTALLING YOUR NEW APPLIANCE

ADEQUATE VENTILATION AROUND YOUR REFRIGERATOR.

Before you move your appliance into the place where it will operate, check that it will have adequate clearance. Clearance is required for air circulation and too little clearance may affect the performance of your appliance.

We recommend minimum clearances of:

- 30mm on each side.
- 25mm above the refrigerator.
- 50mm minimum/75mm maximum behind the refrigerator

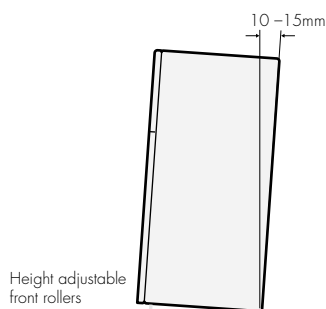


NOTE:

Doors are designed to sit proud of cabinetry (not flush). The clearances shown above are the recommended minimum clearances. The clearance at the rear must not exceed 75mm.

INSTALLING YOUR REFRIGERATOR OR FREEZER

The appliance should arrive with the front levelling feet wound up. The appliance may need to be tilted backward at the top by about 10-15mm from vertical (see diagram below). This will allow the door to gravitate to the closed position. The complete closure of the door seal is reliant on manually pushing the door closed to provide a consistent door seal.



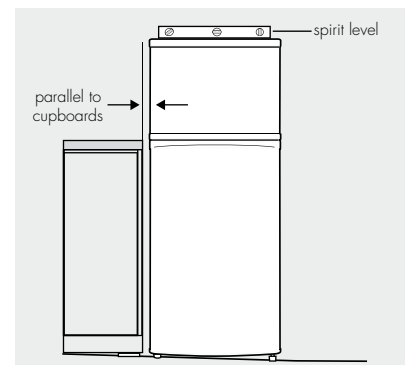
CAUTION

The rollers are designed for forward or backward movement only. They are not castors. Moving the refrigerator sideways may damage your floor and the rollers.

1. Move the appliance into its final position.
2. If the appliance is not tilting back as described earlier, minor adjustments can be made to the two front levelling legs by turning the feet in an anticlockwise direction (below). This will increase the height of the feet. If you have difficulty turning the foot, have someone tilt the appliance back to gain better access. If it is not tilted back enough and the levelling legs are fully extended, additional packing might be required (see note 4 for appropriate materials).



3. Compare the alignment of the appliance to the surrounding cupboard. The top of the appliance should be level from side to side (see diagram below). If you need to adjust the level, use the levelling feet as detailed in step 2.



4. If the appliance now rocks from one corner to the opposite rear corner, this means that the floor is uneven. You may need to put some packing under the ridge to the rear of the appliance. You could use thin pieces of solid material such as thin board, vinyl floor tiles or laminate.
5. You may now need to fine tune the installation by repeating steps 2, 3 and 4.
6. Wipe off any dust that has accumulated during shipping and clean following the directions on page 11.
7. Plug the appliance into the power point. Don't use a double adaptor or extension cord.
8. It is recommended that you let the appliance operate for an hour or two (three hours for a freezer) before you put any food in it. This will confirm that it is operating correctly and make the conditions appropriate for food storage.

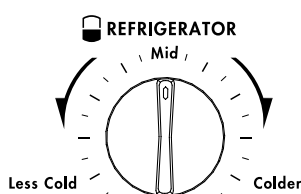
Congratulations! You have successfully installed your refrigerator/freezer.

INITIAL START-UP

Your appliance was cleaned and polished before it left the factory. Before use, dust and wipe over inside and out using a clean dry cloth. This product is designed to operate on a power supply of 220/240 volts 50Hz. Connect to a separate power point with a correctly earthed three pin socket. Do not use double adaptors.

CONTROLLING THE TEMPERATURE IN YOUR REFRIGERATOR

To make the appliance operate you must turn the knob clockwise. For all models, 'Less Cold' corresponds to the warmest temperature while 'Colder' the coldest. When the ambient room temperature is 16°C, a setting of half way between 'Less Cold' and 'Mid' would be appropriate. When the ambient room temperature is 25°C, a setting of half way between 'Mid' and 'Colder' could be selected.



CONTROLLING THE TEMPERATURE IN YOUR FREEZER

The freezer slide control is used to balance the air flow between the freezer and the refrigerator compartments. The main temperature control is the control knob in the refrigerator compartment. For optimum performance position the freezer control on 'Less Cold'. If the food is not frozen enough you may be required to move the slide control (or knob) towards the 'Colder' position.



When you change temperature settings, make small adjustments and wait 24 hours before assessing whether you need to make further changes.

DEFROSTING

Defrosting takes place automatically. The defrost water flows down to the evaporating tray, which is located in the machine compartment and is evaporated automatically.

USING YOUR APPLIANCE

GENERAL INFORMATION

The refrigerator/freezer transfers heat from food placed inside to the outside air. This process makes the rear and sides of the outer cabinet feel warm to touch, particularly at initial start up. This is normal.

Make sure you fully close the freezer door after loading or removing food. If the door is left partly open, a heavy frost will coat the inside of the freezer. Ensure that bins and shelves are pushed all the way in to prevent the door being held open.

If the unit is unplugged, power lost, or turned off you must wait 5 minutes before restarting the unit. If you attempt to restart before this time delay, the freezer will not start.

FEATURES AND GENERAL HINTS

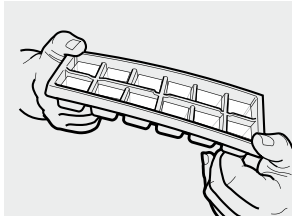
- Try not to leave the door open for too long, especially in warm and humid climates.
- It is recommended that you wrap all food in freezer bags.
- Corned or pickled products (containing salts) must NOT be stored in the freezer unless thoroughly sealed. Salts cause metal oxidation.
- In some circumstances (particularly after recent opening and closing of the door) you may experience a heavier than normal resistance when opening the door. Should this occur wait a minute or two between openings to stabilise the air pressure within the cabinet.
- If going away for an extended period, turn your freezer off, remove all foods and dry interior thoroughly. Unplug the freezer from the electrical outlet and leave the door open.
- If there is a power failure, do not open the door. Frozen foods will stay frozen for up to 24 hours depending on temperature and load conditions if the door is kept closed.
- It is recommended that to ensure safe food storage, the freezer operates for 3 hours with the door closed before being stocked with food. It is also recommended that you wait until the following day before you purchase additional food, either frozen or unfrozen, to stock your freezer.

OPERATION

USING YOUR APPLIANCE

ICE MAKING

To make ice cubes, fill the ice tray with water and place it in the ice box. Avoid filling above the ice box grid to facilitate ice release. To remove ice cubes easily, run water on the tray before gently twisting the tray and inverting.



Freezer Compartment

- Do not store bottles in the freezer compartment as they may break when frozen.
- Do not re-freeze food that has been thawed.
- When storing frozen foods like ice cream for an extended period, place it on the freezer shelf not in the door bin.

SUGGESTIONS ON FOOD STORAGE

Refrigerator Compartment

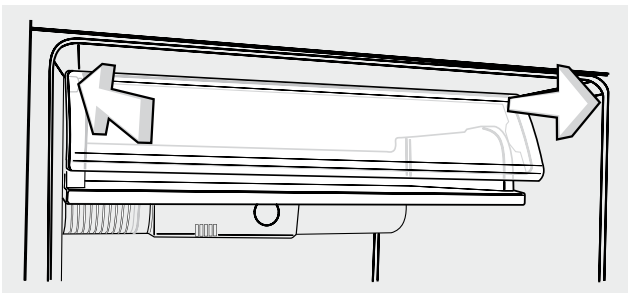
- Store fresh food in the refrigerator compartment. How food is frozen and thawed is an important factor in maintaining its freshness and flavour.
- Do not store fruit that spoils easily at low temperatures, such as bananas, pineapples and melons.
- Give hot food time to cool prior to storing. Placing hot food in the refrigerator could spoil other food and lead to higher power bills.
- When storing, cover food with cling wrap or store in a container with a lid. This will prevent moisture from evaporating and helps food keep its taste and nutrients.
- Do not block air vents with food. Unhampered circulation of chilled air keeps refrigerator temperatures even.
- Do not open the door frequently. Opening the door allows warm air into the refrigerator causing temperatures to rise.
- Avoid placing moist food deep inside refrigerator shelves. It could freeze upon direct contact with the cold air straight from the vents.
- Always clean fruit and vegetables prior to refrigeration. These should be washed and wiped to prevent adjacent foods from spoiling.
- When storing eggs in the trays provided, ensure that they are fresh and always store them in an upright position to keep them fresh longer.

REMOVING AND REPLACING THE CHILLER DOOR & DRAWER

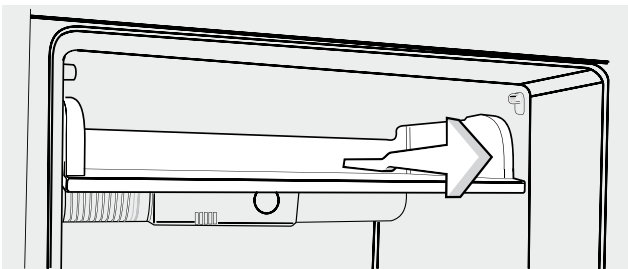
INSTRUCTIONS FOR MODEL WTM2000WC

In order to access the light housing, the chiller door and chiller drawer need to be removed.

There is a node on each side at the top of the chiller door. These 'nodes' allow the door to swivel open and shut and also secure the door to 'C' shaped clips on each side of the refrigerator liner. The clip on the left liner wall faces the back of the refrigerator, while the clip on the right liner wall faces the front. To remove the door, push back against the left top corner of the door, while pulling the top right corner of the door forward.



Remove the chiller door.



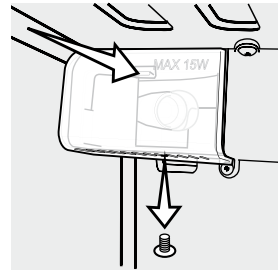
To replace the chiller door, slot the node on the top left hand corner of the chiller door, left into the clip on the cabinet lining. Push the node on the top right corner of the chiller door, back into the clip on the cabinet lining.

LAMP REPLACEMENT

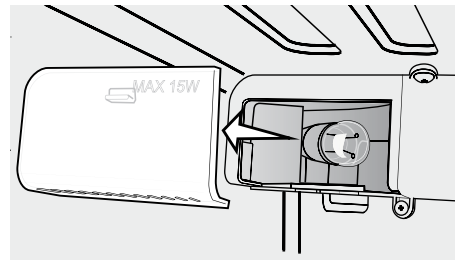
The reversing of doors or replacement of light bulbs is not covered by warranty. Assistance, if required can be arranged by calling our service centre on 13 13 49. Normal service call and labour charges apply.

INSTRUCTIONS FOR MODEL WTM1800WC

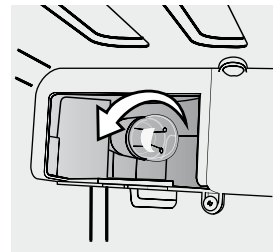
1. Switch off the power at the power point and remove the cord by pulling the plug.
2. Remove the screw from the centre of the control panel.
3. Apply pressure with your finger tip to the top centre of the light lens. This will release a catch on the back face of the lens that holds it to the light housing.



4. Remove the lens.



5. Unscrew the light bulb in an anti-clockwise direction.



6. Screw the new light bulb into place using a cloth. Do not allow your fingers to touch the new bulb as the oils from your skin can cause hot spots on the globe, shortening its life.
7. Clip the light lens on and replace the screw.
8. Wait 5 minutes to ensure pressures in the refrigeration system are equalised, before turning the refrigerator on at the power point.



WARNING

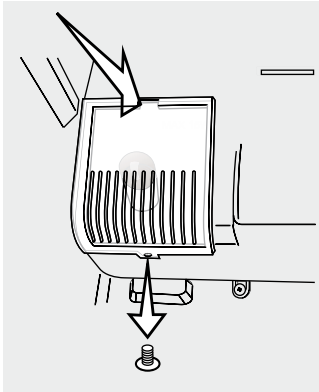
Never insert your finger into the light bulb socket.

OPERATION

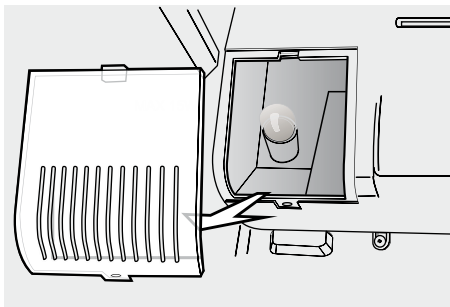
LAMP REPLACEMENT

INSTRUCTIONS FOR MODEL WTM2000WC

1. Switch off the power at the power point and remove the cord by pulling the plug.
2. Remove the screw from the centre of the control panel.
3. Apply pressure with your finger tip to the top centre of the light lens. This will release a catch on the back face of the lens that holds it to the light housing.



4. Remove the lens.



5. Unscrew the light bulb in an anti-clockwise direction.



6. Screw the new light bulb into place using a cloth. Do not allow your fingers to touch the new bulb as the oils from your skin can cause hot spots on the globe, shortening its life.
7. Clip the light lens on and replace the screw.

i TIPS & INFORMATION

Not all 15 watt screw-in lamps will fit the lamp housing. Appropriate replacement lamps can be purchased from Electrolux or by calling 13 13 50.

GENERAL INFORMATION

CLEANING THE REFRIGERATOR

WARNING

BEFORE CLEANING: Turn the refrigerator off at the power point and unplug the cord to prevent any chance of electrocuting yourself.

- **Doors and exterior (white & pacific silver)**
You should only clean the doors with lukewarm soapy water and a soft cloth.
- **Stainless Steel**
Your stainless steel refrigerator is manufactured from mark-resistant stainless steel. This stainless steel has a special advanced protective coating that eases the removal of marks such as fingerprints and water spots. To keep its appearance, clean it regularly with lukewarm soapy water and a soft cloth.

CAUTION

Never use stainless steel cleaners, abrasive pads or other cleaners that will scratch the surface. Damage to the appliance after delivery is not covered by your warranty.

- **Interior**
Clean the inside of your refrigerator regularly with a soft cloth, unscented mild soap and lukewarm water. Thoroughly dry all surfaces and removable parts and avoid getting water on the controls. Replace removable parts, plug power cord in and switch the power on before returning the food.
- **Door seals**
Always keep door seals clean by washing them with a mild detergent and warm water, followed by a thorough drying. Sticky food and drink can cause seals to stick to the cabinet and tear when you open the door.

CAUTION

Never use hot water, solvents, commercial kitchen cleaners, aerosol cleaners, metal polishes, caustic or abrasive cleaners, or scourers to clean your refrigerator. Many commercially available cleaning products and detergents contain solvents that will damage your refrigerator. Use only a soft cloth with an unscented mild soap and lukewarm water.

If your refrigerator has telescopic extension slides, simply wipe them with a damp cloth to clean them and never immerse them in water.

SAFETY

This appliance is not intended for use by persons (including children) with reduced physical, sensory or mental capabilities, or lack of experience and knowledge, unless they have been given supervision or instruction concerning use of the appliance by a person responsible for their safety. Children should be supervised to ensure that they do not play with the appliance.

ALWAYS DO THIS

- ⓘ Check the power point is properly earthed – if you are not sure get an electrician to check it.
- ⓘ Switch off and unplug the refrigerator at the power point before you clean or move it.
- ⓘ If the power supply cord is damaged, have it replaced by the manufacturer, service agent or similarly qualified person.

NEVER DO THIS

- ⓧ Never let children play with the refrigerator.
- ⓧ Never store spray cans, explosive fluids or flammable liquids in the refrigerator.
- ⓧ Never store fizzy drinks in the freezer compartment.
- ⓧ Never lick icy foods when they first come out of the freezer. This can burn your lips and mouth.
- ⓧ Never try to repair the refrigerator yourself.
- ⓧ Never use electric heaters or dryers to defrost the freezer because you can receive an electric shock.
- ⓧ Never use electrical appliances inside the food storage areas.
- ⓧ This appliance contains insulation formed with flammable blowing gases. For safety reasons, take care when you dispose of it.
- ⓧ Do not damage the appliance circuit.

WARNING

When you dispose of your old refrigerator or freezer, remove any doors to prevent children from being trapped inside.

WARNING

R600A REFRIGERANT WARNING

This appliance may contain a small quantity of environmentally friendly, but flammable, non-synthetic R600a refrigerant:

- Ensure that the tubing of the refrigerant circuit is not damaged during transportation and installation.
- The room for installing appliance must be at least 1 m³ per 8g of refrigerant. The amount of refrigerant charged in the appliance can be found on the rating plate on the appliance.
- Keep ventilation openings in the appliance enclosure or in the built-in structure, clear of obstruction.
- Do not use mechanical devices or other means to accelerate the defrosting process, other than those recommended by the manufacturer.
- The room for installing appliance must be at least 1 m³ per 8g of refrigerant. The amount of refrigerant charged in the appliance can be found on the rating plate on the appliance.

SWITCHING OFF YOUR REFRIGERATOR

If you switch your refrigerator for an extended period, follow these steps to reduce the chances of mould:

1. Remove all food.
2. Remove the power plug from the power point.
3. Thoroughly clean and dry the Interior.
4. Ensure that all the doors are wedged open slightly for air circulation.

DOOR REVERSAL

REVERSING THE DOOR OPENING DIRECTION

In this example, the operation is reversed from right side hinging to left side hinging.

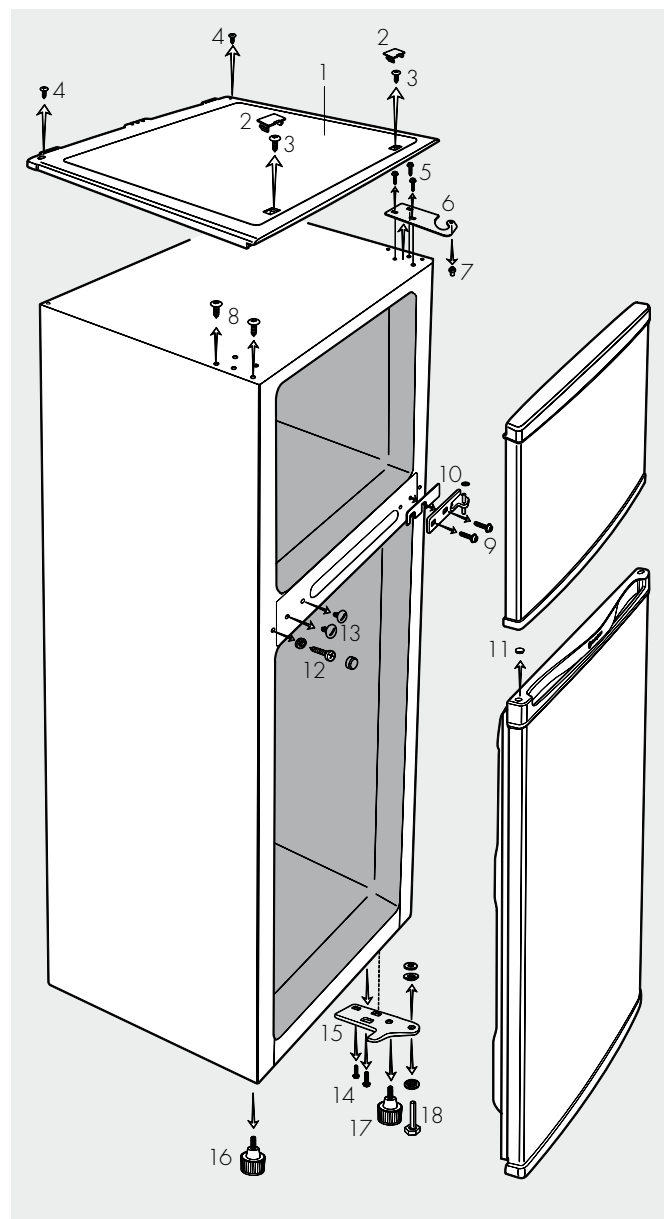
PRECAUTIONS

- Turn off the appliance
- Unplug the power cable
- Remove all food from the appliance
- Remove shelves and baskets
- Do not lay the appliance down flat on its back as this will impair its operation.
- When tilting the appliance to access the underside, support it so that it will not fall to the floor.

NOTE: All parts removed must be retained to reinstall the door. Ensure washers are reassembled in original order.

INSTRUCTIONS

- In the front of the panel (1) on top of the freezer compartment there are 2 rectangular plugs (2). Use a flat bladed screwdriver as a lever to gently remove them.
- Use a Phillips head screwdriver to remove the screws (3) that the plugs were concealing.
- There are 2 round holes in the back of the top panel (1). Remove the screws (4) from these holes.
- The top panel (1) can now be removed.
- Hold the freezer door in the closed position while removing the 3 screws (5) that secure the top hinge (6).
- The freezer door can now be lifted off along with the top hinge.
- Remove the top hinge pin (7) from the hole in the top of the freezer door.
- Now unscrew the hinge pin (7) from the hinge (6). Turn the hinge over and screw the pin (7) in from the other side of the hinge (6).
- On the left top of the appliance are 2 screws (8) which need to be removed and re-inserted into the corresponding holes on the right top of the appliance.
- While supporting the refrigerator compartment door, remove the 2 screws (9) securing the centre hinge (10) to the cabinet.
- Remove the hinge (10), the plastic washer on the top pin and the plastic gasket behind the hinge and carefully put the door aside.



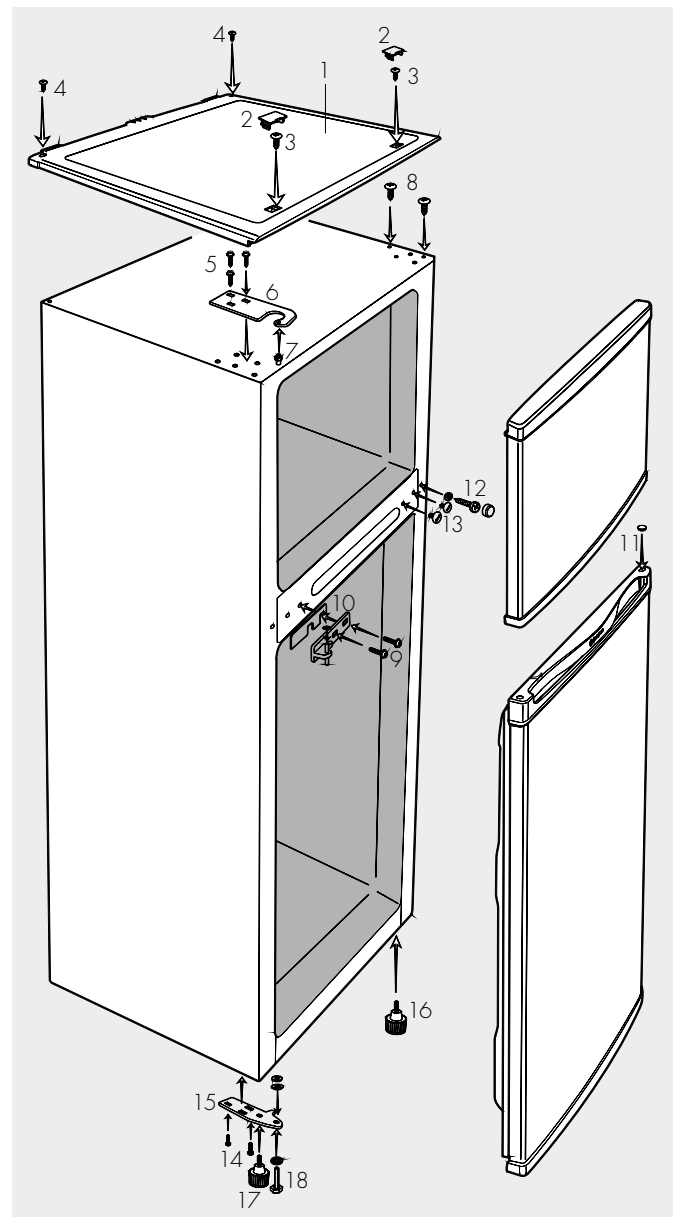
Right sided hinging assembly

DOOR REVERSAL

REVERSING THE DOOR OPENING DIRECTION

INSTRUCTIONS (CONTINUED)

- Remove the plug (11) – if supplied with your appliance – from the hole in the top left of the refrigerator door and press firmly into the hole on the top right of the door
- Remove the cap, screw and washer (12) from the far left of the centre frame and re-insert in the far right of the centre frame.
- Use a flat bladed screw driver to remove the 2 plastic screws (13) from the left side of the centre cabinet. Re-insert them into the holes to which the centre hinge (10) was previously fitted.
- If possible, get help to secure the fridge as it will need to be tilted back in order to remove the two screws (14) that secure the inge (15) to the bottom right side of the appliance.
- Unscrew the left front foot (16) and transfer it to the corresponding hole under the right bottom corner.
- Unscrew the foot (17) and remove it from the bottom hinge (15) then screw the foot (17) in from the other side of the hinge (15).
- Unscrew the hinge pin (18) from the bottom hinge (15) then secure it on the reverse side of the bottom hinge (15). Make sure all washers are reinstalled in their original order.
- With the refrigerator door in the closed position, secure the bottom hinge (15) – previously removed from the other side – onto the bottom left corner, tightening the 2 screws (14) firmly.
- With the bottom pin of the middle hinge (10) lodged in the hole on the top left of the refrigerator compartment door, secure the reversed middle hinge (10) and the reversed gasket to the left of mid cabinet using the 2 hinge screws (9).
- Put the plastic washer on the middle hinge (10) top pin, then mount the freezer door on the middle hinge (10) top pin.
- With the reassembled top hinge pin (7) located in the hole in the top inside left corner of the freezer door, fix the hinge (6) to the top left corner of the appliance using the 3 top hinge screws (5).
- Replace the top cover (1) using screws (3) and (4). Replace the rectangular hole plugs.



Left sided hinging assembly

TROUBLESHOOTING

WHAT TO DO BEFORE CALLING FOR SERVICE

PROBLEM	SOLUTION
Refrigerator is not operating	<ul style="list-style-type: none"> • Check that the power cord is plugged into the power outlet properly and that the outlet is switched 'ON'. • Try running another appliance from the power outlet. If no power is coming from the outlet you may have blown a fuse or tripped a circuit of your household power supply. • Try adjusting the temperature control to a slightly "colder" position. • It is normal for the freezer fan NOT to operate during the automatic defrost cycle, or for a short time after the appliance is switched on.
When there is refrigerator/freezer noise	<p>Modern refrigerators/freezers with increased storage capacity use high speed compressors. These can provide a seemingly high level of sound which is quite normal. Normal operational sounds include:</p> <ul style="list-style-type: none"> • Occasional gurgling, similar to water boiling. • Air flow noise (air circulates because of a small fan). • A popping noise heard during automatic defrost. • A clicking noise heard just before the compressor starts (this is just the automatic switching action of the temperature control, turning the compressor on or off). <p>Other strange sounds may mean that you need to check and take action. For example, noises may mean that:</p> <ul style="list-style-type: none"> • The cabinet is not level. • The floor is uneven or weak. • Bottles are badly placed and rattling. • There are vibrations from an object on top of or behind or beside the refrigerator. • The back of the refrigerator cabinet is touching the wall. <p>Remember it is quite normal for noise to seem louder just after the refrigerator starts operating.</p>
If there are odours inside the refrigerator	<ul style="list-style-type: none"> • The interior may need cleaning. • Some foods produce odours. • Some containers and wrapping can cause odours. • Ask yourself if the odour started about the same time you started storing something unusual.

PROBLEM	SOLUTION
When the motor seems to run more than expected	<p>Your new refrigerator has a large fridge and freezer section to keep cool. So it is normal to frequently hear the sound of the motor. However, to keep operation to a minimum check the following:</p> <ul style="list-style-type: none"> • Are doors kept open too long or too often? • Are controls set too cold? See 'Controlling the temperature' on page 7. • Have large amounts of warm food just recently been stored? Summer, festive seasons and holidays usually mean a lot more work for your refrigerator. • If the day is hot or the room is very warm, the refrigerator will need to run more than normal. • The refrigerator will run more than normal just after you install it or when it has been turned off for a long time.
If the temperature in the refrigerator is too warm	<ul style="list-style-type: none"> • Check that the appliance has enough clearance at the sides, back and top. Refer to the installation instructions on page 6. • Refer to 'Controlling the temperature' on page 7. • You may have kept the door open too long or too frequently. • Food containers or packaging may be holding a door open.
If the temperature in the refrigerator is too cold	<ul style="list-style-type: none"> • Refer to 'Controlling the temperature' on page 7. • Increase the temperature to avoid high energy consumption.
If heavy frosting occurs in the freezer	<p>Make sure you fully close the freezer and fridge doors. If the doors are left open, a heavy frost will coat the inside of the freezer. If a frost develops, remove it and take care to properly close the doors.</p>
If water drips on the floor	<p>The defrost water tray, (located at the back or underneath of the cabinet) may not be properly positioned, or the drain tube may not be properly positioned to direct water into this tray. You may need to pull the refrigerator away from the wall to check the tray and tube.</p>

IF YOU STILL REQUIRE SERVICE

If you have a problem, and the problem persists after you have made the checks mentioned above, contact your nearest approved Service Centre or the dealer you bought the refrigerator from. Be ready to quote the model number, 9-digit PNC and 8-digit serial number, which is stated on the label inside the refrigerator compartment.

Electrolux Warranty

FOR SALES IN AUSTRALIA AND NEW ZEALAND
APPLIANCE: WESTINGHOUSE TOP MOUNT FROST FREE REFRIGERATOR FREEZER.

This document sets out the terms and conditions of product warranties for Electrolux branded appliances. It is an important document. Please keep it with your proof of purchase documents in a safe place for future reference should you require service for your Electrolux appliance.

General Terms and Conditions

- In this warranty
 - 'Electrolux' means Electrolux Home Products Pty Ltd ABN 51 004 762 341 in respect of Appliances purchased in Australia and Electrolux (NZ) Limited in respect of Appliances purchased in New Zealand;
 - 'Appliance' means any Electrolux product purchased by you accompanied by this document;
 - 'Warranty Period' means
 - where you use the Appliance for personal, domestic or household purposes in Australia the period of '24' months and in New Zealand the period of '24' months;
 - where you use the Appliance for commercial purposes, in Australia the period of '3' months and in New Zealand the period of '3' months, (if the period stated is 0 months you are not covered by this product warranty) following the date of original purchase of the Appliance;
 - 'you' means the purchaser of the Appliance not having purchased the appliance for re-sale, and 'your' has a corresponding meaning.
- This warranty only applies to Appliances purchased and used in Australia or New Zealand and is in addition to (and does not exclude, restrict, or modify in any way) any non-excludable statutory warranties in Australia or New Zealand.
- Electrolux warrants that, when dispatched from an Electrolux warehouse, the Appliance is free from defects in materials and workmanship for the Warranty Period.
- During the Warranty Period Electrolux or its Authorised Service Centre will, at no extra charge if your appliance is readily accessible without special equipment, and subject to these terms and conditions, repair or replace any parts which it considers to be defective. You agree that any replaced Appliances or parts become the property of Electrolux. This warranty does not apply to light globes, batteries, filters or similar perishable parts.
- Parts and Appliances not supplied by Electrolux are not covered by this warranty.
- Where you are within an Electrolux service area, this warranty covers the cost of transport of the Appliance to and from Authorised Service Centres of Electrolux and travelling costs for representatives of the Authorised Service Centre to and from your home or business. If you are outside an Electrolux service area, you will bear these costs. For information about whether you are within an Electrolux service area, please phone 13 13 49 in Australia, or 0800 10 66 10 in New Zealand.
- Proof of purchase is required before you can make a claim under this warranty.
- You may not make a claim under this warranty unless the defect claimed is due to faulty or defective parts or workmanship. Electrolux is not liable in the following situations (which are not exhaustive):
 - The Appliance is damaged by:
 - accident
 - misuse or abuse, including failure to properly maintain or service
 - normal wear and tear
 - power surges, electrical storm damage or incorrect power supply
 - incomplete or improper installation
 - incorrect, improper or inappropriate operation
 - insect or vermin infestation.
 - The Appliance is modified without authority from Electrolux in writing.
 - The Appliance's serial number or warranty seal has been removed or defaced.
 - The Appliance was serviced or repaired by anyone other than Electrolux or its Authorised Service Centres.
- This warranty, the contract to which it relates and the relationship between you and Electrolux are governed by the law applicable in the Australian State where the Appliance was purchased or the law applicable in New Zealand if the Appliance was

purchased in New Zealand. Where the Appliance was purchased in New Zealand for business purposes the Consumer Guarantee Act does not apply.

Limitation of Liability

- To the extent permitted by law:
 - Electrolux excludes all warranties other than as contained in this document;
 - Electrolux shall not be liable for any loss or damage whether direct or indirect or consequential arising from your purchase, use or non-use of the Appliance.
- Provisions of the Trade Practices Act and State consumer legislation in Australia, and the Consumer Guarantees Act, the Sale of Goods Act and the Fair Trading Act in New Zealand, imply warranties or conditions, or impose obligations, upon Electrolux which cannot be excluded, restricted or modified. To the extent permitted by law, the liability of Electrolux (if any) arising out of or in relation to the Appliance or any services supplied by Electrolux shall be limited (where it is fair and reasonable to do so):
 - in the case of Appliances, at its option, to the replacement or repair of the Appliances or the supply of equivalent products or the payment of the cost of replacing the Appliances or having the Appliances repaired or of acquiring equivalent Appliances. Upon being replaced, parts and Appliances become the property of Electrolux; or
 - in the case of services, at its option, to the supply of the services again or the payment of the cost of having the services re-supplied; and in the case of Appliances or services supplied in New Zealand, loss or damage whether direct or indirect or consequential that is reasonably foreseeable.

Privacy

You acknowledge that in the event that you make a warranty claim it will be necessary for Electrolux and its Authorised Service Centres to exchange information in relation to you to enable Electrolux to meet its obligations under this warranty.

EXTENDED WARRANTIES AND INDEMNITY

Sealed Refrigeration System Warranty

For a further period of three years following the expiry of the Warranty period, Electrolux or its agent will supply replacements for, or at the sole option of Electrolux, repair, all parts it finds defective in the Sealed Refrigeration System which comprises: compressor, condenser, evaporator, dryer and tubing. During this three year period you will pay for the costs of labour (including any call out or service fees), and freight if necessary in replacing defective parts in the Sealed Refrigeration System. You will pay for the costs of transport of the Appliance if further service is required and the costs of parts or repairs to parts other than those included in the Sealed Refrigeration System

Frozen Food indemnity

Subject to the following exclusions, Electrolux will indemnify you for a period of 24 months from the date of purchase of the Appliance against any loss or damage to frozen foodstuffs due to a Sealed Refrigeration System breakdown. This indemnity will be limited to:

- in the case of freezers with a capacity of less than 400 litres – AU\$150
- in the case of freezers with a capacity of 400 litres or more – AU\$300

This indemnity does not cover loss or damage to frozen foodstuffs occasioned by:

- failure to plug in the freezer to a properly connected power supply or failure to switch on the power point
- accidental removal of the plug from the power point or switching off the power supply;
- failure to keep the door or lid of the freezer closed
- the introduction of abnormal heat loads to the freezer;
- failure to observe the operating and installation instructions supplied with the freezer; and
- failure to defrost the freezer at recommended intervals on chest freezers or non frost free models

Important Notice

Before Calling a Service Technician please check carefully the operating instructions, service booklet and the warranty terms and conditions.

<p>FOR SERVICE or to find the address of your nearest state service centre in Australia PLEASE CALL 13 13 49 For the cost of a local call (Australia only)</p>	<p>SERVICE AUSTRALIA  ELECTROLUX HOME PRODUCTS www.electrolux.com.au</p>	<p>FOR SPARE PARTS or to find the address of your nearest state spare parts centre in Australia PLEASE CALL 13 13 50 For the cost of a local call (Australia only)</p>
<p>FOR SERVICE or to find the address of your nearest authorised service centre in New Zealand FREE CALL 0800 10 66 10 (New Zealand only)</p>	<p>SERVICE NEW ZEALAND  ELECTROLUX HOME PRODUCTS www.electrolux.co.nz</p>	<p>FOR SPARE PARTS or to find the address of your nearest state spare parts centre in New Zealand FREE CALL 0800 10 66 20 (New Zealand only)</p>



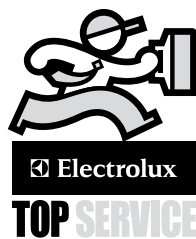
For more information on all Westinghouse appliances,
or for dimension and installation information, call into your retailer,
phone or email our customer care team or visit our website:

AUSTRALIA

phone: 1300 363 640
fax: 1800 350 067
email: customercare@electrolux.com.au
web: www.westinghouse.com.au

NEW ZEALAND

phone: 09 573 2384
fax: 0800 363 600
email: customercare@electrolux.co.nz
web: www.westinghouse.co.nz



TOP SERVICE

Top Service encompasses the after sales service provided by The Electrolux Group to consumers including delivery, home service and spare parts.

Westinghouse. We are part of the Electrolux family.
Share more of our thinking at www.electrolux.com

© 2009 Electrolux Home Products Pty Ltd ABN 51 004 762 341
Print code: WFRITMFFUM Issue Date: Jun09

Part number: F1704



Westinghouse