

C7GMXA8

smeg 70cm upright electric/gas cooker



EAN 8017709158361

finish fingerprint-proof stainless steel  
 installation freestanding  
 size 698mmW x 598mmD x 915mm max H  
 (excluding 60mm splashback)

- ELECTRIC OVEN**
- 7 cooking functions
  - Vapour Clean
  - defrost
  - 79 litre
  - triple-glazed oven door
  - 5 shelf heights
  - tangential cooling fan
  - 1 x 25W incandescent lightbulb
  - storage compartment
  - telescopic legs
  - kickplate supplied

**ELECTRIC GRILL**

- ACCESSORIES**
- 1 x baking tray
  - 1 x chrome shelf
  - 1 x chrome rack

**GAS HOB**

capacity five zones —  
 2 x auxiliary: 3.9 mj/h  
 2 x medium: 7.5 mj/hr  
 1 x large (wok): 15 mj/hr

power 2900W total  
 grill: 2000W  
 12.08 amps  
 220-240V  
 50Hz  
 supplied with 15 amp power cord; can be hardwired

safety flame failure device fitted to each burner

warranty two years parts and labour



**CONVECTION**

A gentle heat for long slow cooking of fruit cakes, casseroles & slow roasts. Single level cook using the middle zone of the oven to achieve perfect results.



**STATIC GRILL**

Radiant heat is directed straight onto the top of your food. Use this function for toast, cheese melts, focaccia etc. Oven door must be closed while grilling.



**HALF STATIC GRILL**

As above but for smaller quantities. Place food front to back, down the centre of the tray. Oven door must be closed while grilling.



**FAN GRILL**

High power full-width grilling producing succulent grilled meat, chicken or fish, while at the same time baking vegetables & dessert below. Also great for chips. The oven door must be closed while grilling.



**BASE HEAT**

For crisp pastry or any dish needing a higher base temperature; will also keep a full oven hot without overcooking. Great for perfect pavlova!



**FAN FORCED**

Ideal for baking large quantities of food as it allows you to use every shelf



**SUPERCOOK**

Faster preheating — perfect for roasting.



**VAPOUR CLEAN**

Regularly add a little water to the oven floor cavity and spray some water and detergent over the oven cavity walls. Select Vapour Clean and allow the vapour to soften any residue for easy wipeover.

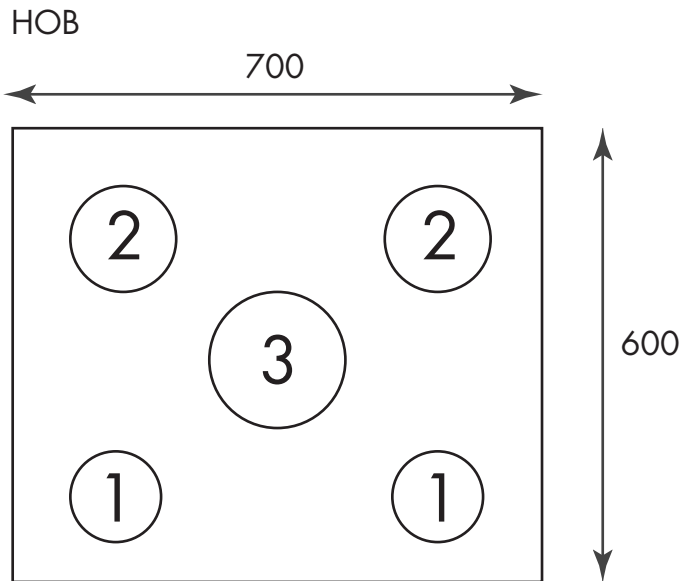


**DEFROST**

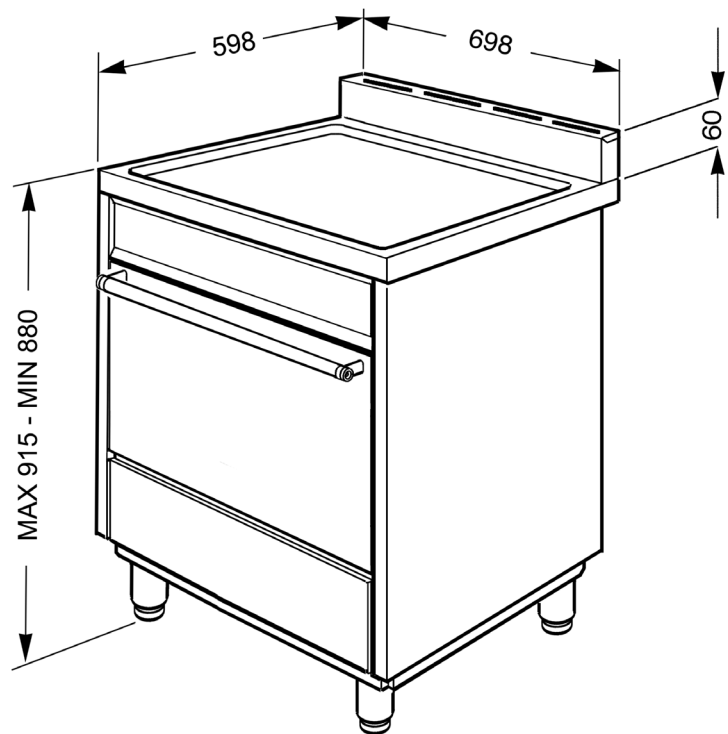
Defrost your frozen food without changing the appearance or character of the food with this fan assisted function. Choose length of defrost time by weight or time.

C7GMXA8

smeg 70cm upright electric/gas cooker



- 1. auxiliary: 3.9 mj/h
- 2. medium: 7.5 mj/hr
- 3. large (wok): 15.8 mj/hr



NB: drawings are not to scale — they are to assist only.