



INSTRUCTION & USER MANUAL

GRAND CRU BUILT-UNDER SERIES WINE COOLERS

GC46D

BUILT-UNDER SERIES BEVERAGE COOLERS

GC46BC


*This manual contains important information including **safety and installation instructions** of the appliances. Please read it carefully before use and follow all safety information & instructions. It is recommended to keep this manual for easy reference so that you can be familiar with the operation of the appliance.*

--CONTENTS--

IMPORTANT SAFETY INFORMATION	1
STRUCTURE AND INSTALLATION.....	2
ACCESSORY INSTALLATION BEFORE OPERATING.....	3
UNPACKING AND CLEANING THE WINE COOLER	3
OPERATING THE WINE COOLER.....	3
WORKING CLIMATE.....	3
WINE STORAGE.....	3
CONTROL PANEL	4
POWER ON/OFF CONTROL.....	5
UNLOCKING THE CONTROL PANEL.....	5
INTERIOR LIGHTING ON/OFF CONTROL	5
TEMPERATURE DISPLAY WINDOW	5
TEMPERATURE SETTING.....	5
SELECTING FAHRENHEIT (°F) & CELSIUS (°C) DISPLAY	6
CARE AND MAINTENANCE	6
CLEANING THE WINE COOLER	6
POWER FAILURE.....	6
MOVING THE WINE COOLER	6
ENERGY SAVING TIPS	7
TROUBLESHOOTING	7
REVERSE THE DOOR SWING.....	8
WARRANTY REGISTRATION FORM.....	10

IMPORTANT SAFETY INFORMATION

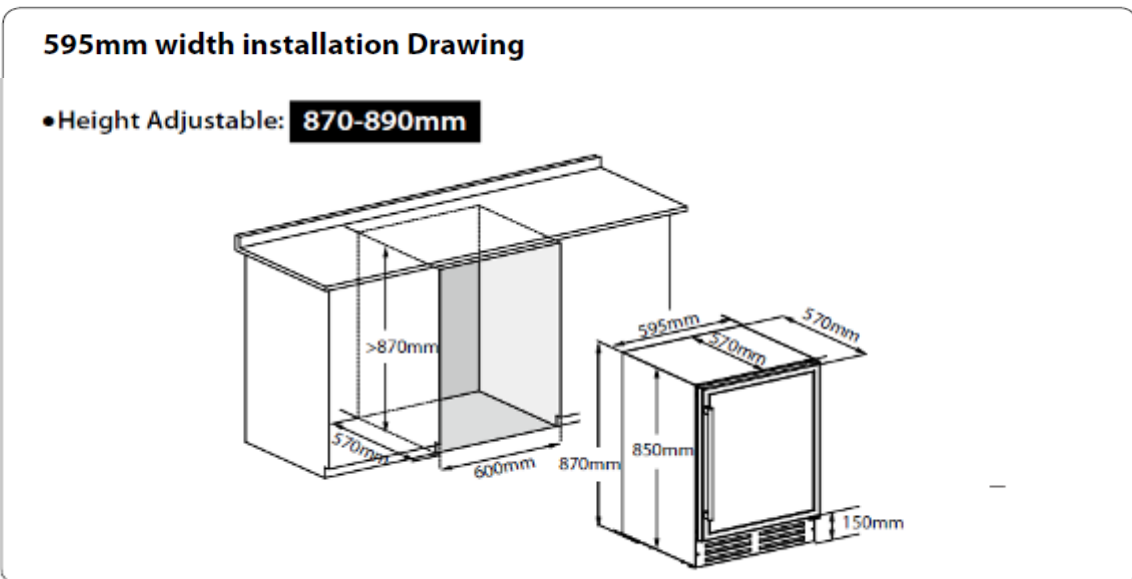
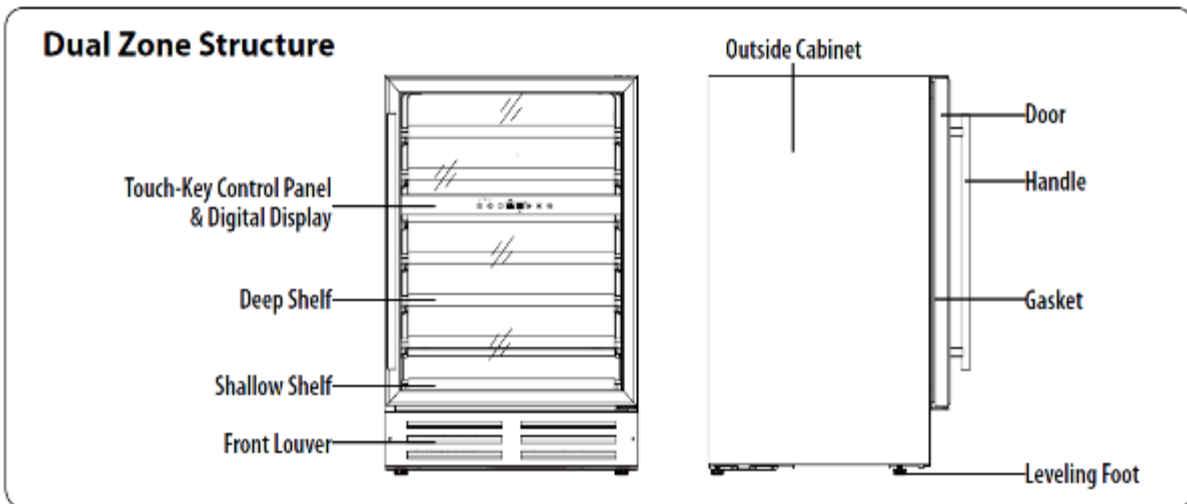
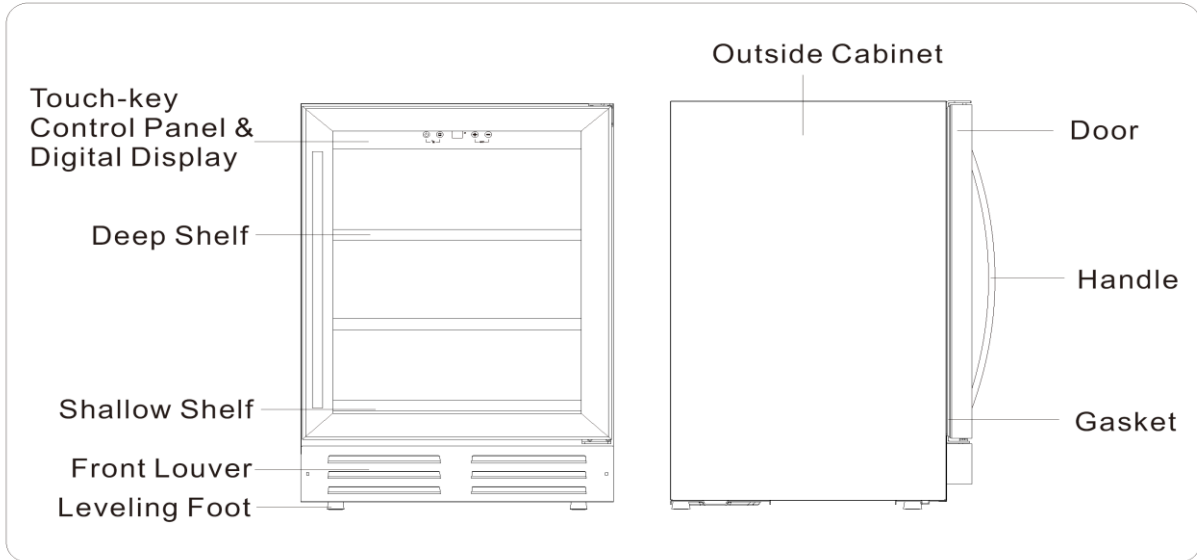
Before using the appliance, please properly position and install it as described in this manual. To avoid the risk of fire, electrical shock or injury when using the appliance, please follow these basic precautions:

- The appliance is intended to be used exclusively for the storage of wine.
- Make sure the voltage/current marked on the rating label corresponds with your supply voltage. Plug into a standard 10amp 3-pin outlet.
- It is recommended that a separate circuit, serving only your appliance be provided.
- Never clean the appliance parts with flammable fluids which may create a fire hazard or explosion. And do not store or use gasoline or other flammable vapours and liquids in the vicinity of the appliance.
- Do not connect or disconnect the electric plug when your hands are wet.
- Unplug the appliance or disconnect power before cleaning, maintenance or servicing. Failure to do so can result in electrical shock or death.
- Do not attempt to repair or replace any part of the appliance unless it is specifically recommended in this material. All other servicing should be referred to a qualified service technician.
- To ensure proper ventilation for the appliance, the front of the unit must be completely unobstructed. Locate the unit away from direct sunlight and sources of heat (stove, heater, radiator, etc.).
- The fuse (or circuit breaker) size should be 10 amp or higher.
- It is important for the appliance to be leveled in order to work properly. You may adjust the appliance's feet to level it.
- This appliance is intended for use by persons with sufficient experience and knowledge of electrical appliances. Any other persons (including children) should be supervised or given instruction concerning use of the appliance by a person responsible for their safety.
- Children should be supervised to ensure that they do not play with the appliance.
- Do not use solvent-based cleaning agents or abrasives on the interior. These cleaners may damage or discolor the interior.
- Do not use this appliance for other than its intended purpose.
- The use of attachments not recommended by the manufacturer may be hazardous.
- When you dispose the appliance, take off the door and leave the shelves in place so that children may not easily climb inside. And make sure the coolant circuit, particularly the heat exchanger at the back/bottom of the unit not be damaged. The  symbol on the product or its packaging indicates that this product is not to be handled as normal household waste and it is to be taken to a recycling collection point for electrical and electronic goods.

STRUCTURE AND INSTALLATION

The following pictures only show the structure of the appliance. The dimension and shelf quantity may differ among the models of the same series.

BUILT-UNDER SERIES (Built under a kitchen table top)

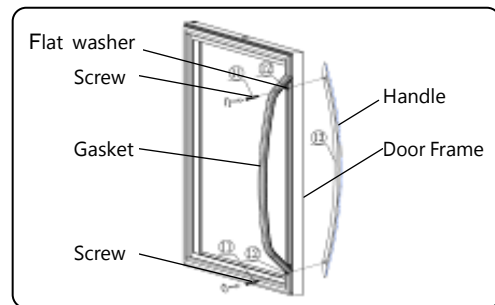


ACCESSORY INSTALLATION BEFORE OPERATING

UNPACKING AND CLEANING THE WINE COOLER

- Remove the exterior and interior packing materials.
- **Let the appliance stand upright for approximately 24 hours before connecting it to the power source, which helps to reduce the possibility of a cooling-system malfunction from handling during transportation.**
- Use a soft cloth to clean the interior surface with lukewarm water.
- Install the door handle provided with the appliance by following these steps:

- 1st Step -Remove the gasket on the internal door to expose the two screw holes.
- 2nd Step -Install the handle with the screws and washers provided.
- 3rd Step -Restore the gasket.



OPERATING THE WINE COOLER

WORKING CLIMATE

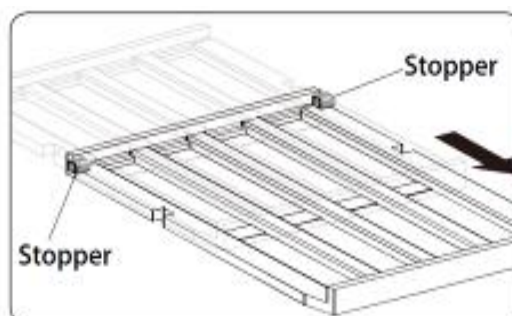
- The appliance is designed for operating from SN to N climate (see below climate class chart). It is recommended to maintain the ambient around 22-25°C which helps the appliance working with low power consumption.

Climate Class	Ambient Temperature
SN	10 - 32 °C (50°F-90°F)
N	16 - 32 °C (61°F-90°F)
ST	18-38 °C (64°F-100°F)
T	18-43 °C (64°F-109°F)

- If the ambient temperature is above or below the designed climate range, the performance of the unit may be affected. For example, the appliance operating in extreme cold or hot conditions may cause interior temperatures to fluctuate, and the temperature set 5-22°C may not be reached sometimes.

WINE STORAGE

- The standard shelves are designed perfectly for Bordeaux style bottle storage. The maximum bottle loading may vary subject to the different size or dimension of wine bottles you store.
- The shelves can be pulled out by approximately 1/3 for easy access to the wine storage.
- The shelves are fitted with a plastic **Stopper** on each side of the shelf track to prevent the shelf from sliding out completely.



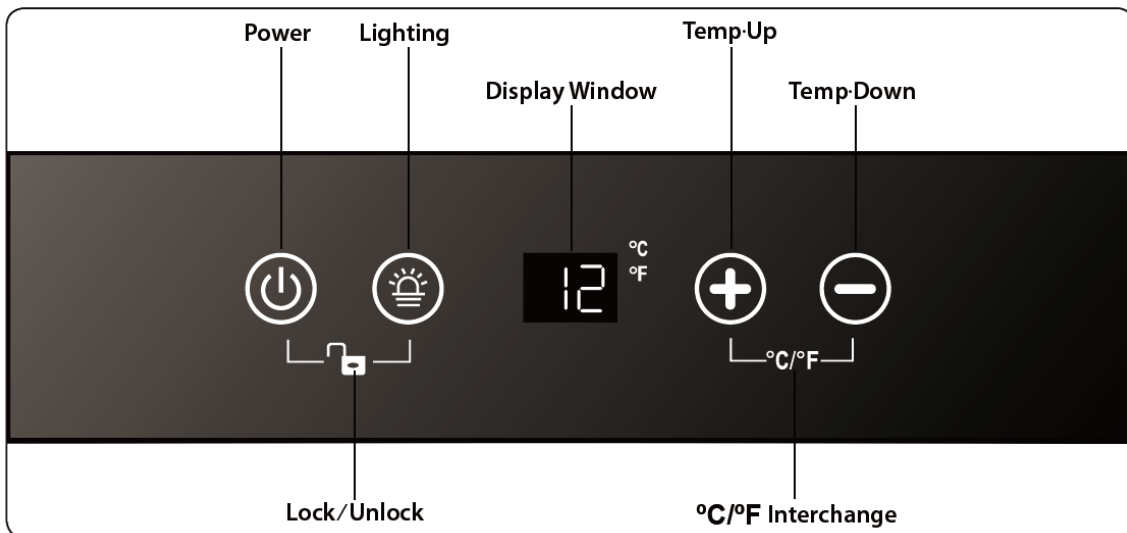
- To prevent damaging the door gasket, make sure to have the door opened fully all the way before pulling the shelves out.
- Please store wine in sealed bottles.
- Do not cover the shelves with aluminum foil or any other shelf material which may prevent air circulation.
- Should the wine cooler be left empty for long periods it is suggested that the appliance is unplugged, and after careful cleaning, leave the door ajar to allow air to circulate inside the cabinet in order to avoid possible condensation, mould or odours forming.

Recommended temperatures for chilling/storing your wines.

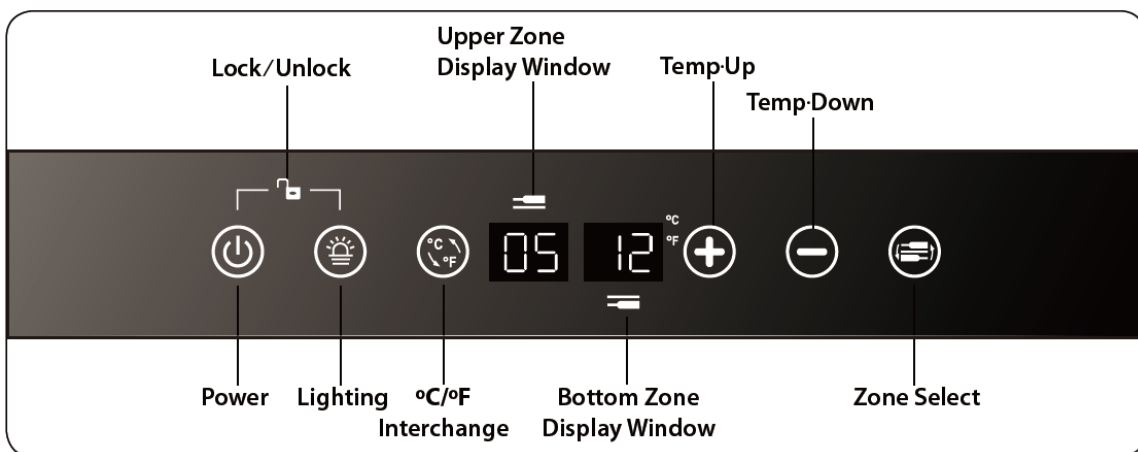
Wine Type	Recommended Temp.
Red Wines	15 - 18°C (59°F-64°F)
White Wines	9 - 14°C (48°F-57°F)
Rose Wines	10 - 11°C (50°F-52°F)
Sparkling Wines	5 - 8°C (41°F-46°F)

CONTROL PANEL



- For Single Zone



- For Dual Zone




POWER ON/OFF CONTROL

- When the appliance is plugged in to a power outlet, it powers on automatically.
- Touch the power mark  and hold for **10 seconds** to turn off (or turn on) the appliance.
- No matter whether the appliance is under a locked or unlocked situation, you can turn off the appliance by touching the power mark  and holding for **10 seconds**.




Warning: To avoid breaking the compressor, please do not turn on the appliance again within **5 minutes** after you turn it off.

UNLOCKING THE CONTROL PANEL

- To unlock the control panel, touch the power mark and lighting mark  with 2 fingers at the same time and hold for **3 seconds**. When unlocked a buzz sound will be heard.
- The control panel will be automatically locked with a buzz sound heard after **10 seconds** without being touched.
- Under the locked situation, the control panel will not react to any touch operation other than for lighting on/off and temperature setting.

INTERIOR LIGHTING ON/OFF CONTROL

- Under the unlocked situation, touch the lighting mark  to turn on (or turn off) the interior LED lighting.
- The lighting will be continuously on if it is not turned off.

TEMPERATURE DISPLAY WINDOW







- The temperature is displayed in digital display form. The digital display is shown as the set temperature when you are setting the temperature, and it will change to be the actual temperature inside cabinet after **10 seconds** without being touched.
- When the temperature probe is out of order, the display window will show with “HH” or “LL” instead of a digital figure while a continuous buzz sound will be heard. In case of this happens, this appliance is designed to keep the compressor and fan running periodically which helps to keep the desired temperature of the inside cabinet to protect your stored wines.



Warning: To avoid destroying your stored wines, it is strongly recommended to have the appliance repaired immediately, as the periodical running cannot ensure the appliance will achieve the temperature you have set.

TEMPERATURE SETTING








For Single Zone beverage coolers:

- The temperature setting range is 2-20 °C (36-68 °F).
- Directly touch the  or  mark to set the wine cooler temperature as you want.
- The first touch on  or  mark will recall the previous set temperature displayed in the digital window.
- Touch the mark  to increase the set temperature by 1°C (or by 1°F). On the contrary, touch the mark  to decrease the set temperature by 1°C (or by 1°F).
- The digital will change to display the real temperature of the inside cabinet after 10 seconds without being touched.

For Dual Zone wine coolers:

- The temperature setting ranges are 5-12 °C (41-54 °F) for the upper zone and 12-22 °C (54-72 °F) for the



bottom zone.

- You need to select the set zone by touching the mark  before touching the mark  or  to set the desired temperature. The display window with digital flashing indicates the zone ready for temperature setting.
- The first touch on mark  or  will recall the previous set temperature displayed in the digital window
- Touch the mark  to increase the set temperature by 1°C (or by 1°F). On the contrary, touch the mark  to decrease the set temperature by 1°C (or by 1°F).
- The digital will change to display the real temperature of the inside cabinet after 10 seconds without being touched.


Note: For the first time to use the appliance or to restart the appliance after having been shut off for a long time, you may find a few degrees variance between the set temperature and the displayed temperature. It is normal and everything of the appliance will be in the order after a few hours running.

SELECTING FAHRENHEIT (°F) or CELSIUS (°C) DISPLAY

For Single Zone

Touch the marks   with 2 fingers at the same time and hold for 5 seconds, you can interchange the Fahrenheit and Celsius display.

For Dual Zone

Directly touch the mark , you can interchange the Fahrenheit and Celsius display for both zones at the same time.

CARE AND MAINTENANCE

CLEANING THE WINE COOLER

- Turn off the power, unplug the appliance, and remove all items including shelves.
- Wipe the inside surfaces with a sponge and baking soda solution. The solution should be about 2 tablespoons of baking soda to 1 litre of warm water.
- Wash the shelves with a mild detergent solution. Allow the wooden shelves to dry before placing them back into the wine cooler.
- Remove excess water from the sponge or cloth when cleaning the controls, or any other electrical display areas.
- Wipe the outside cabinet with warm water and a mild liquid detergent. Wipe dry with a clean soft cloth.
- Do not use steel wool or steel brush on the stainless steel. These will contaminate the stainless steel with steel particles and rusting may occur.

POWER FAILURE

Most power failures are corrected within a few hours and should not affect the temperature of your appliance if you minimize the number of times the door is opened. If the power is going to be off for a longer period of time, you need to take the proper steps to protect your contents.

MOVING THE WINE COOLER

- Remove all items.
- Securely tape down all loose items (shelves) inside your appliance.
- Turn the adjustable legs up to the base to avoid damage.
- Tape the door shut.
- Ensure the appliance stays secure in the upright position during transportation. Also protect the outside of appliance with a blanket, or similar item.

ENERGY SAVING TIPS

- The appliance should be located away from heat producing appliances, and away from direct sunlight.
- Ensure that the unit is adequately ventilated. Never cover the air vents.
- Only open the door when necessary. Avoid leaving the door open for long periods or opening/closing the door frequently.

TROUBLESHOOTING

If you feel the appliance is out of order, follow these instructions to try to see if you can solve the problem simply by yourself before calling for service.

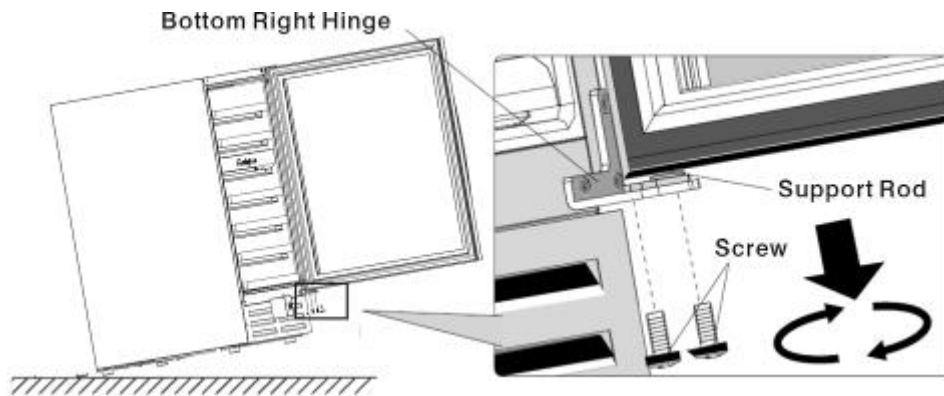
No.	PROBLEM	PROBLEM POSSIBLE CAUSE / MEASURE
1	The wine cooler does not operate	Not plugged in. The appliance is turned off. The circuit breaker tripped or a blown fuse.
2	The wine cooler is not cold enough	Check the temperature control setting. External environment may require a higher setting. The door is opened too frequently. The door is not closed completely. The door gasket does not seal properly.
3	Automatically turn-on and turn-off frequently	The room temperature is hotter than normal. A large amount of contents has been added to the wine cooler. The door is opened too frequently. The door is not closed completely. The temperature control is not set correctly. The door gasket does not seal properly.
4	The lighting does not work	Not plugged in. The circuit breaker tripped or a blown fuse. The lighting is turned off.
5	Too much vibration	Check to assure that the appliance is level. Check to assure no parts inside the cabinet or in the compressor chamber are loose.
6	The wine cooler seems to make too much noise	The rattling noise may come from the flow of the refrigerant, which is normal. As each cycle ends, you may hear gurgling sounds caused by the flow of refrigerant. Contraction and expansion of the inside walls may cause popping and crackling noises. The appliance is not level.
7	The door will not close properly.	The wine cooler is not level. The door was reversed and not properly installed. The gasket is dirty. The shelves are out of position.
8	The display window is shown with "HH" or "LL" instead of a digital figure, and/or with a continuous buzz sound.	The temperature probe is out of order.

REVERSE THE DOOR SWING

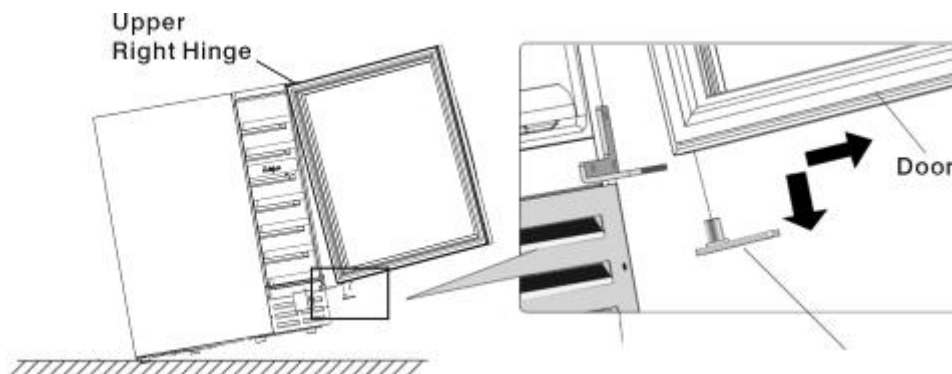
Remarks:

- The instruction is based on a unit with right door hinge installed already.
- To reserve the door from right hinge to left hinge, you need to get ready 2 new spare parts: an **Upper Left Hinge**, and a **Bottom Left Hinge**.
- * All removed parts is suggested t be saved in case of door re-reversal.

1. Open the door, and loosen the screws from the support rod of the bottom hinge.

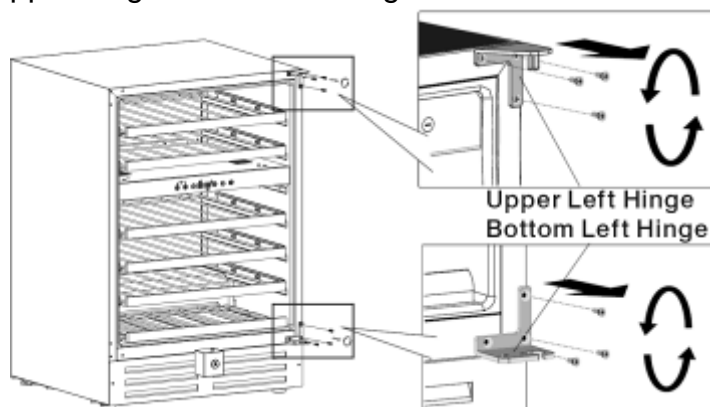


2. Remove the door off the upper hinge and take out the support rod.



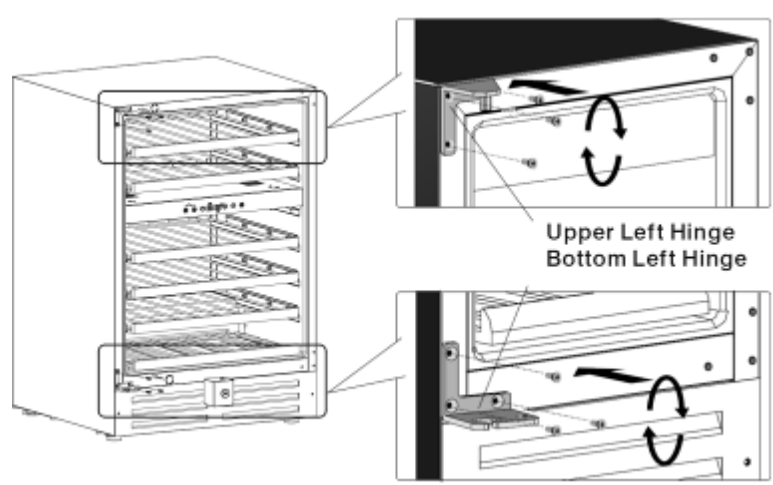
3. For a door with lock, use a small flat head screwdriver to pry up the lock hole cap on the top of the door and remove to the bottom.

4. Unscrew the upper hinge and bottom hinge.

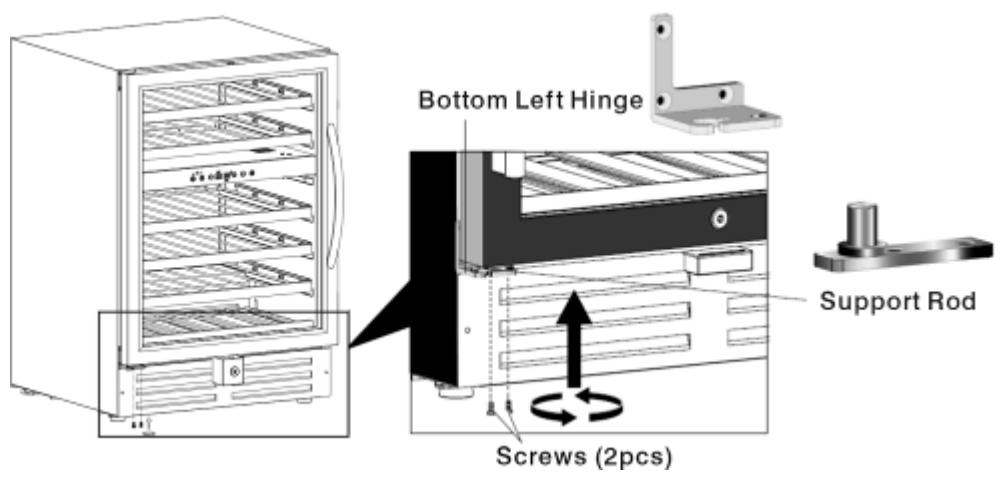


5. Pry out the plastic caps at the left side of the cabinet, and remove them to the right side.

6. Install the hinge set which are packed as accessories with the instruction manual to the opposite side.



7. Rotate the door 180° so that the top is now the bottom, and install it by attaching the support rod with screws.



Your Grand CRU Warranty Registration Form

Thank you for purchasing a Grand Cru Wine Cooler from Clever Home Products Pty Ltd. (CHP)
CHP provides a 1 year warranty on the Grand Cru range of Wine Coolers.

To register your wine cooler **NOW** for warranty, and to allow us to provide you with the best possible after-sales service, please fill out the following information and return this to,
Clever Home Products Pty Ltd, Level 5, 15-19 Claremont St, South Yarra, Victoria 3141.

To make a warranty claim, please email or mail (to the address above) your details and a brief description of the fault to matthew@cleverhomeproducts.com.au for our immediate attention.

Customer's Name: _____

Address: _____

State: _____ Postcode: _____

Tel: (Home) _____ (Mobile) _____ Email: _____

Model Purchased: _____ Serial No.: _____

Date of Purchase: _____

Invoice/Receipt No: _____

This warranty does not cover the following:

1. Any damages caused from improper use or not used in accordance with the instruction manuals.
2. Damage caused by connecting your product to the wrong power source/supply.
3. Incorrect installation or modifications made during installation or use of the product.
4. Removing screws or otherwise opening the outer case will void the warranty.
5. Any damages resulting from poor handling or moving of the product, misuse, fire or water damage etc.
6. Failure to maintain the product as per the Instruction Manual.
7. Problems caused by incorrect or inadequate venting of the product.