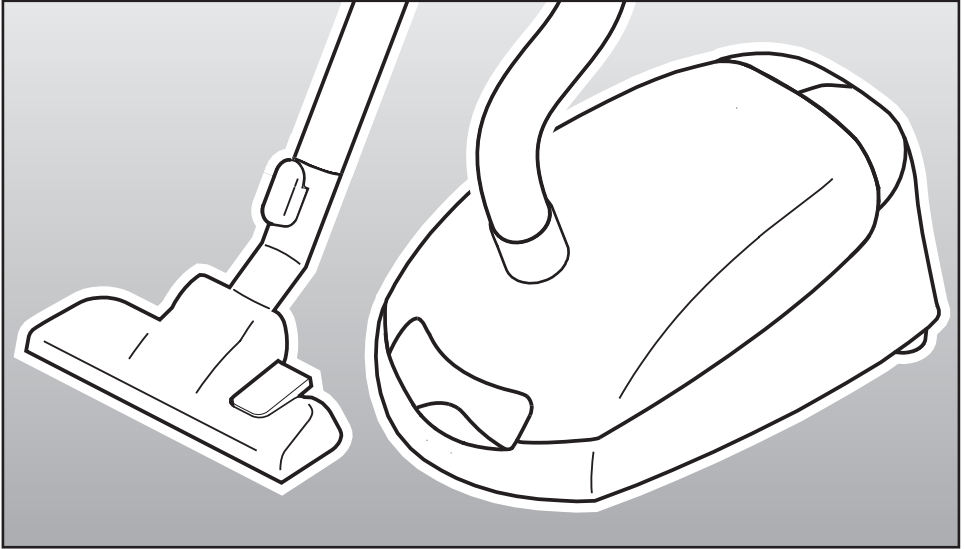


Operating instructions



Vacuum cleaners

S 2111 / S 2121 / S 2131

To avoid the risk of accidents or damage to the appliance, it is **essential** to read these instructions before using it for the first time.

These operating instructions apply to standard models S 2111 / S 2121 / S 2131 as well as to other S 2000 series vacuum cleaners which are distinguished by names rather than numbers.

en - AU, NZ

M.-Nr. 09 037 420

Contents

Caring for the environment	3
Description of the vacuum cleaner	4
Warning and safety instructions	6
Preparing for use	9
Using the accessories supplied	11
Use	12
Pull out the mains cable ①	12
Rewinding the cable ②	12
Switching on and off	12
Adjusting the suction power	13
Opening the air inlet valve	13
Parking and storing	14
Maintenance and care	15
Purchasing new dustbags and filters	15
Ordering the correct dustbags and filters	15
When to change the dustbag	16
Replacing the dustbag	17
When to change the dust compartment filter (for motor protection)	18
How to change the dust compartment filter	18
Replacing the Air Clean filter	18
Replacing the Air Clean filter	18
Replacing one type of exhaust filter with another	19
When to replace the Active Air Clean or Active HEPA filter	19
How to replace the Active Air Clean or Active HEPA filter	19
When to change the thread lifters	20
To replace the thread lifters	20
Problem solving guide	21
After sales service / Warranty	22
Electrical connection	23

Disposal of the packing material

The transport and protective packing has been selected from materials which are environmentally friendly for disposal and can normally be recycled.

Ensure that any plastic wrappings, bags, etc. are disposed of safely and kept out of the reach of babies and young children. Danger of suffocation.

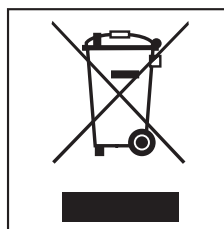
Rather than just throwing these materials away, please ensure they are offered for recycling.

Disposing of the dustbag and filters

These are made from environmentally friendly materials, and can be disposed of with the normal household waste, as long as they have been used exclusively for general household dust.

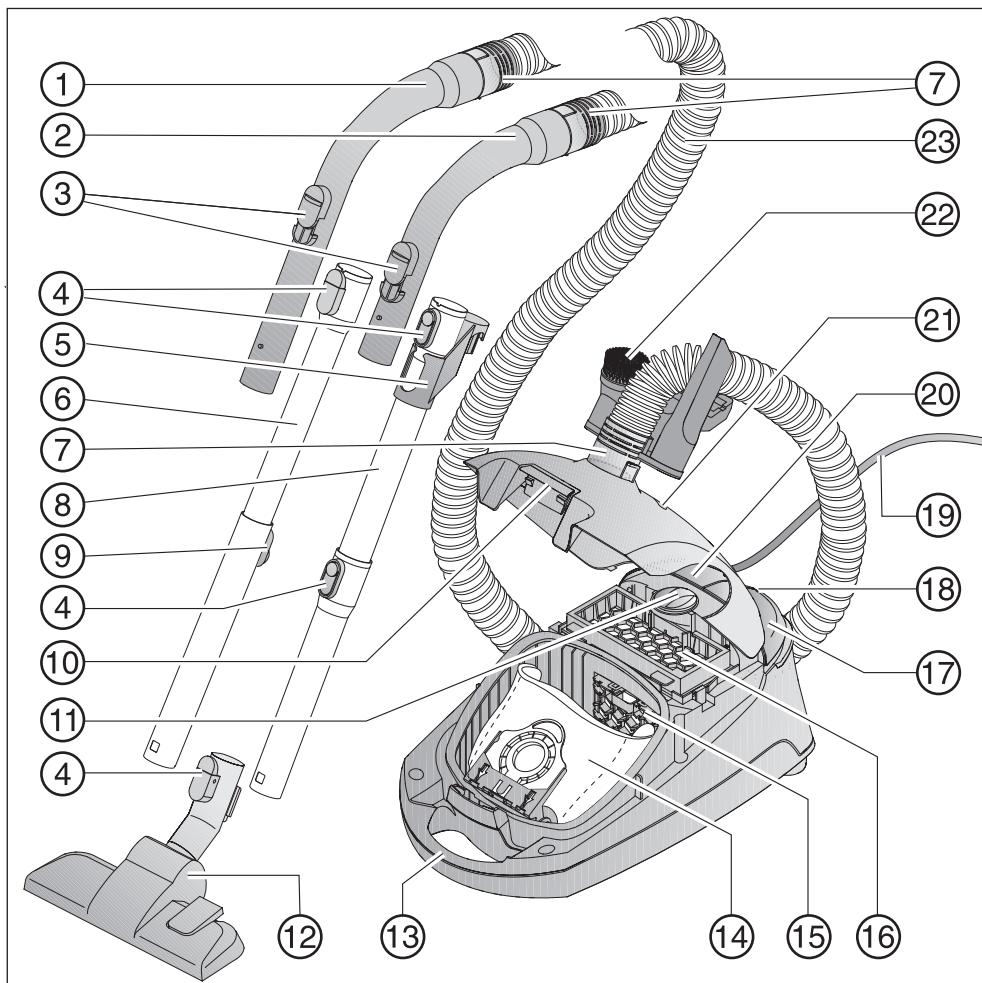
Disposal of your old appliance

Electrical and electronic appliances often contain materials which, if handled or disposed of incorrectly, could be potentially hazardous to human health and to the environment. They are, however, essential for the correct functioning of your appliance. Therefore, please do not dispose of your old appliance with your household waste.



Please dispose of it at your local community waste collection / recycling centre and ensure that it presents no danger to children while being stored for disposal.

Description of the vacuum cleaner



Description of the vacuum cleaner

- ① Handle XXL *
- ② Handle *
- ③ Air inlet valve
- ④ Release button
- ⑤ Connection piece for storage *
- ⑥ Telescopic tube *
- ⑦ Connection socket
- ⑧ EasyLock tube *
- ⑨ Slide controls for the telescopic tube *
- ⑩ Dust compartment release button
- ⑪ Suction power selector *
- ⑫ Floorhead *
- ⑬ Carrying handle
- ⑭ Dustbag
- ⑮ Dust compartment filter (for motor protection)
- ⑯ Air Clean filter (AC)
- ⑰ On/Off foot control ①
- ⑱ ParkSystem
- ⑲ Mains cable
- ⑳ Foot switch for automatic cable rewind
- ㉑ Dustbag change indicator
- ㉒ VarioClip with three-piece accessories
- ㉓ Suction hose

Those features marked * depend on the model, and may vary or not be available on your model.

Optional accessories

Miele accessories including floorheads, filters and dustbags are available to order from your Miele Vacuum Cleaner Specialist, Miele or on the internet at www.miele-shop.com.

Warning and safety instructions

This appliance conforms to current safety requirements. Improper use of the appliance can, however, present a risk of both personal injury and material damage.

To avoid the risk of accidents and damage to the appliance, please read these instructions carefully before installation and before using it for the first time. They contain important notes on its safety, operation and maintenance.

Keep these instructions in a safe place and ensure new users are familiar with the content. Pass them on to any future owner.

Correct application

▶ This vacuum cleaner must only be used for domestic household purposes to vacuum dry floor surfaces. Do not use on people or animals.

Any other usage, modification or alteration is at the owner's risk and could be dangerous.

The manufacturer cannot be held liable for damage resulting from improper or incorrect use of the appliance.

▶ This appliance is not intended for use by young children or infirm persons unless they have been adequately supervised by a responsible person to ensure that they can use the appliance safely.

Safety with children

▶ Children should be supervised to ensure that they do not play with the appliance.

▶ This vacuum cleaner is not a toy! To avoid the risk of injury, keep children well away, and do not allow them to play with it or to use the controls. Supervise children whilst you are using it.

▶ Older children may only use the appliance when its operation has been clearly explained to them and they are able to use it safely, recognising the dangers of misuse.

Technical safety

▶ Ensure that the connection data on the data plate (voltage and frequency) match the mains electricity supply. This data must correspond in order to avoid the risk of damage to the appliance.

▶ Before installation, check the appliance for visible signs of damage. Do not use a damaged appliance. A damaged appliance could be dangerous.

▶ Repairs should only be carried out by a Miele authorised service technician. Repairs and other work by unqualified persons could be dangerous. The manufacturer cannot be held liable for unauthorised work.

▶ It is important to switch the vacuum cleaner off before changing over accessories and floorheads, especially an Electro- or Turbobrush.

Warning and safety instructions

▶ There is a metal inlay underneath the handle which is designed to avoid the unpleasant effects of electrostatic discharges. Please make sure that you keep your hand in constant contact with this metal strip during vacuuming.

▶ Do not pull or carry the vacuum cleaner by the cable and be careful not to damage the cable when withdrawing the plug from the socket.

Keep the cable away from sharp edges and do not let it be squashed, for example, under a door.

Avoid running the vacuum cleaner over the cable.

This could damage the cable, plug or socket and pose as a safety hazard.

The appliance must not be used if any of these have suffered damage.

▶ If the cable is damaged it must be replaced together with a complete cable rewind. For safety reasons, this must only be done by Miele or a Miele authorised service technician.

▶ While the vacuum cleaner is under warranty, repairs should only be undertaken by a service technician authorised by Miele. Repairs and other work by unqualified persons could be dangerous. The manufacturer cannot be held liable for unauthorised work.

▶ It is important to switch off the vacuum cleaner after use and before any cleaning or maintenance. Switch off at the wall socket and remove the plug.

▶ Do not let the vacuum cleaner get wet. Clean only with a dry cloth or slightly damp cloth when disconnected from the mains supply. If moisture gets into the appliance, there is a risk of electric shock.

Correct use

▶ To avoid the risk of damage, do not use the vacuum cleaner without the dustbag, dust compartment filter and exhaust filter in place. Otherwise it could get damaged.

▶ If a dustbag is not inserted, the dust compartment cover does not normally close. Do not force it.

▶ Do not vacuum up any water, liquid or damp dirt. This will cause major faults and could seriously impair the functioning and electrical safety of the appliance. Wait until any freshly cleaned or shampooed carpets or floor coverings are completely dry before attempting to vacuum.

▶ Do not vacuum up anything which has been burning or is still glowing e.g. cigarettes, ashes or coal, whether glowing or apparently extinguished. The cleaner might catch fire.

▶ Do not vacuum toner dust. Toner, such as that used in printers and photocopiers, can conduct electricity. The filter system in the vacuum cleaner may not filter it completely, causing the toner to be blown back into the room by the fan.

Warning and safety instructions

▶ Do not vacuum up any inflammable or combustible liquids or gases and do not vacuum in areas where such substances are stored. The cleaner might explode.

▶ Do not vacuum up items which are heavy, hard or have sharp edges. They could cause a blockage and damage the appliance.

▶ Floor attachments, accessories and tubes must not be used at head level to avoid the risk of injury, e.g. to eyes and ears. Danger of injury.

▶ Monitor the change dustbag indicator and change the dustbag if necessary.

Check the exhaust and dust compartment filters at the same time and change them too if necessary. A full bag or blocked filter will reduce the suction power of the cleaner. A temperature limiter switches the vacuum cleaner off automatically if it gets too hot. See "Problem solving guide".

Accessories

▶ It is not advisable to vacuum directly with the handle, i.e. without an accessory attached as the rim could get damaged and you could hurt yourself on sharp edges. Danger of injury.

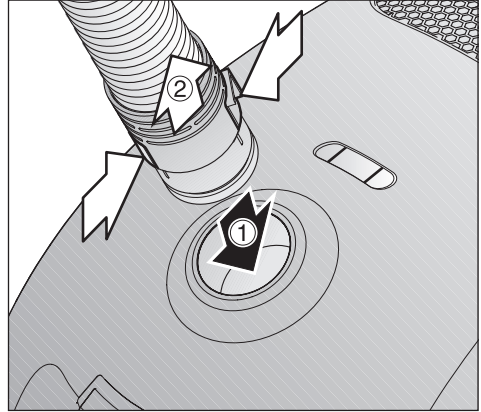
▶ Miele vacuum cleaner bags are disposable and intended to be used only once. Do not attempt to re-use. Blocked pores reduce the efficiency of the cleaner.

▶ To ensure safety only use genuine Miele dustbags, filters and accessories. This will ensure optimum performance of the appliance throughout its life.

The manufacturer cannot be held liable for damage caused by non-compliance with these Warning and Safety instructions.

Attaching the suction hose ①

- Insert the hose connector into the suction socket until it clicks into position.



To remove the suction hose ②

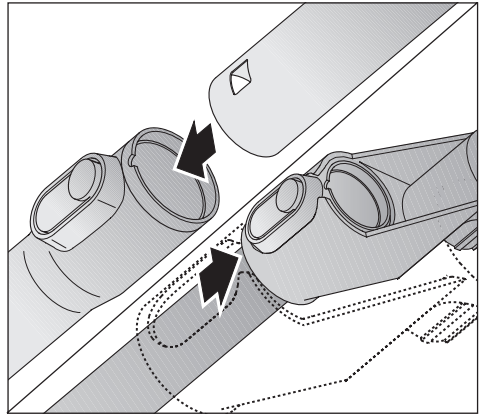
- Press the release buttons at the side of the hose connector, and lift the hose from the socket.

Depending on the model your vacuum cleaner has one of the following tubes (see "Description of the vacuum cleaner").

- EasyLock tube
- Telescopic tube

Assembling the EasyLock tube

- Take the suction tube with the connection piece and push it into the second suction tube, turn it clockwise or anti-clockwise until it clicks into position.
- Slide the connection piece upwards until it clicks into position.

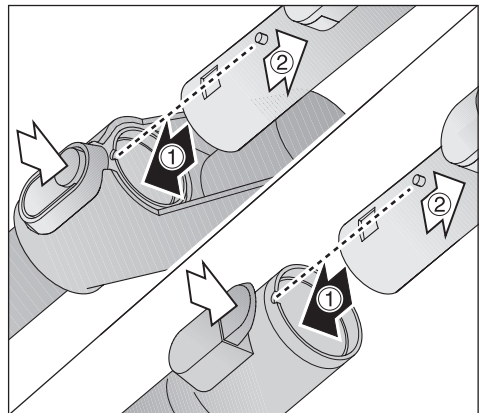


Connecting the handle to the suction tube ①

- Insert the handle into the suction tube until it clicks into position. To do this, line up the guides on the two pieces.

To remove the handle ②

- To release the handle from the suction tube, press the locking button and pull the handle away from the suction tube.



Preparing for use

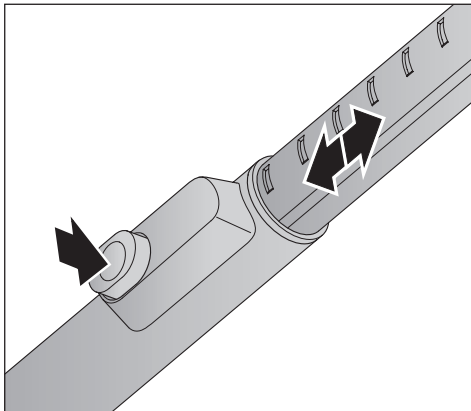
Adjusting the telescopic tube

One part of this telescopic tube is packed inside the other and can be adjusted to suit your height for comfortable vacuum cleaning.

- Press the telescopic tube release button to release the tubes and adjust to the required height.

Fitting the standard floorhead ①

- Push the suction tube into the floorhead and turn it clockwise or anti-clockwise until it clicks into position.



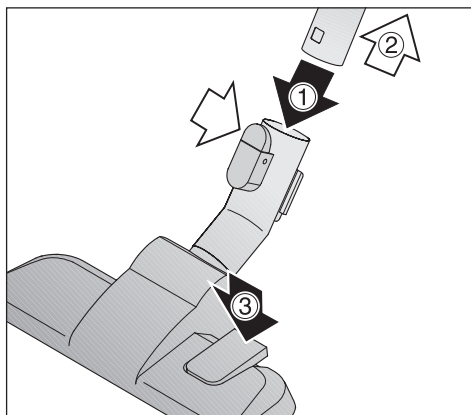
To remove the standard floorhead ②

- To release the floorhead from the suction tube, press the locking button and pull the floorhead away from the suction tube.

Adjusting the floorhead ③

The floorhead can be used for all normal cleaning of carpets and rugs.

It is also important to observe the flooring manufacturer's cleaning and care instructions.



Vacuum carpets and rugs with the brush retracted:

- Press the foot switch .

Clean hard flooring which is not susceptible to scratching with the brush protruding:

- Press the foot switch .

When vacuuming floors with quite deep crevices or gaps, also use the floorhead with the brush protruding.

Using the accessories supplied

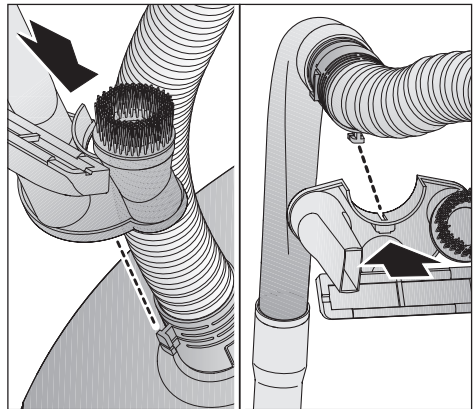
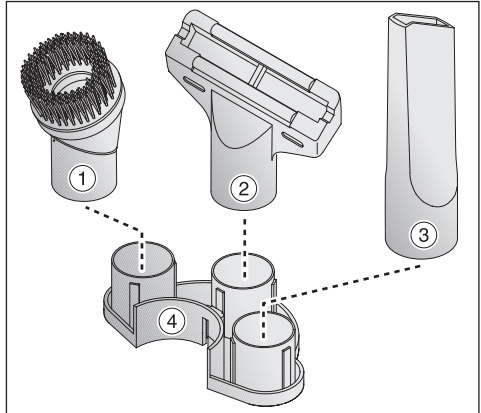
The following accessories are supplied:

- ① Dusting brush
- ② Upholstery nozzle
- ③ Crevice nozzle
- ④ VarioClip for the above accessories

Symbols on the holder show where to attach the different accessories.

VarioClip

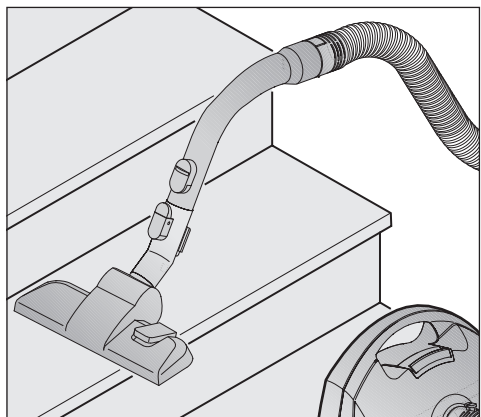
- Attach the VarioClip either on-hand at waist level or on-board at the connector. Make sure it clicks into position.
- ⑤ Your Miele vacuum cleaner can be fitted with optional Active Air Clean / Active HEPA filter. This filter can be used instead of the Air Clean filter, which is supplied as standard (see "Maintenance and care - Replacing one type of exhaust filter with another").



Floorhead

For general use and also for vacuuming the stairs.

For safety reasons when vacuuming stairs it is best to start at the bottom of the stairs and move upwards.



Use

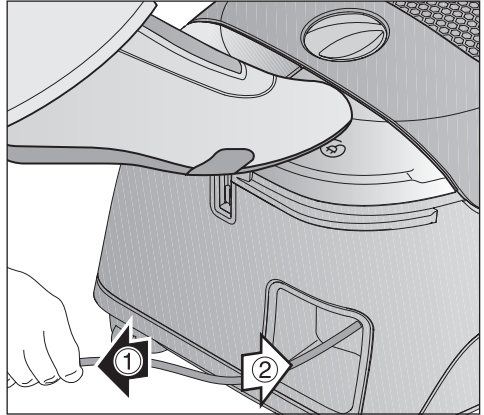
Pull out the mains cable ①

- Pull out the mains cable to the required length (max. cable length approx. 5.5 m).

⚠ If vacuuming for longer than 30 minutes, the mains cable must be pulled out to its fullest extent. Otherwise there is a danger of overheating.

Rewinding the cable ②

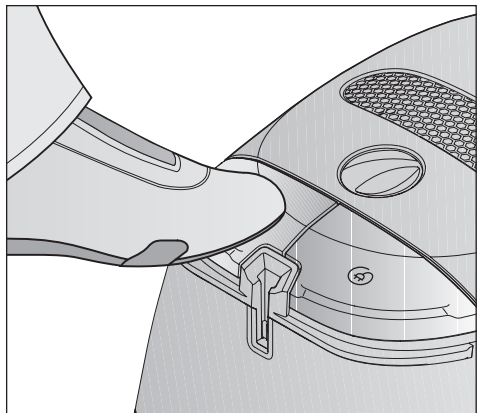
- Switch off at the wall socket and remove the plug.
- Press the rewind foot switch. The cable will rewind automatically.



Switching on and off

- Step on the On/Off foot control ①.

⚠ When vacuuming especially fine dust, e.g. sawdust, sand, flour, talcum powder etc., electrostatic charges build up naturally. Under certain conditions these charges will be released. To avoid the unpleasant effects of these discharges, a metal inlay has been incorporated into the underside of the handle. Please make sure that you keep your hand in constant contact with this metal strip during vacuuming.



Adjusting the suction power

The suction power can be regulated to suit the type of flooring. Reducing the suction power reduces the amount of effort required to manoeuvre the floorhead.

Some models also have symbols on the controls. The symbols indicate the type of use the settings are suitable for.

- ☐ - curtains, lightweight fabrics
- ☐ - upholstery, cushions
- ☐ - carpets, rugs and runners
- 🔊 - for daily energy-saving vacuuming
For vacuuming with a low operating noise level
- ☐ - lightly soiled rugs and fitted carpets
- ☐ - heavily soiled hard flooring, and for intensive cleaning of carpets

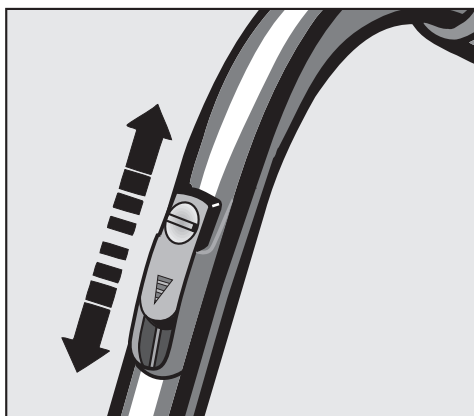
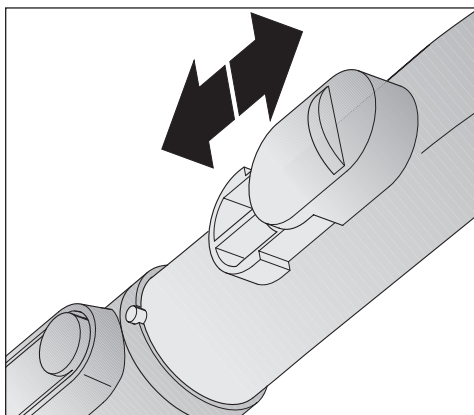
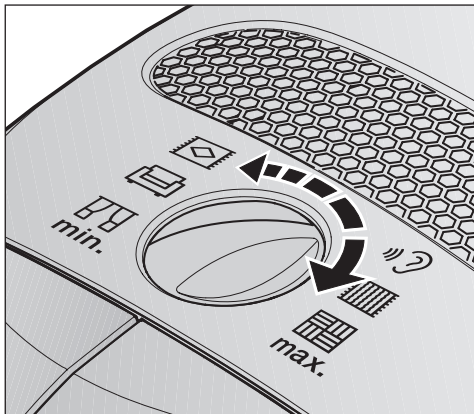
- Turn the suction power selector manually to the suction power setting you require.

Opening the air inlet valve

It is easy to reduce the suction power for a short time, e.g. to prevent rugs or other objects being sucked into the vacuum cleaner.

- Open the air inlet valve far enough to reduce the suction power.

The floorhead will be easier to manoeuvre. Close the valve up again when you are ready to use full power again.

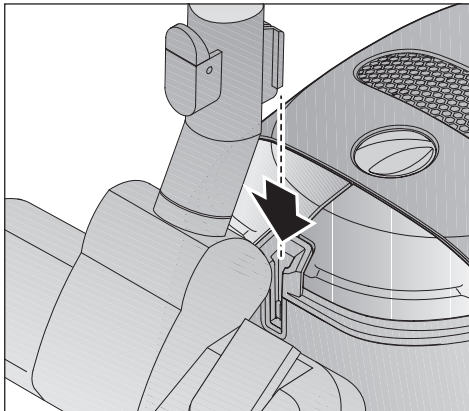


Parking and storing

ParkSystem

A parking system has been designed for conveniently parking the vacuum cleaner during pauses.

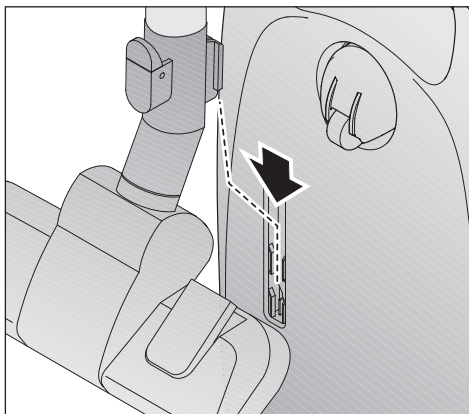
- Slot the floorhead into the parking attachment at the back of the vacuum cleaner.



If the vacuum cleaner is on a sloping surface, e.g. on a ramp,
- retract the telescopic tube fully
- do not use the ParkSystem if your vacuum cleaner is fitted with an EasyLock suction tube.

Storing

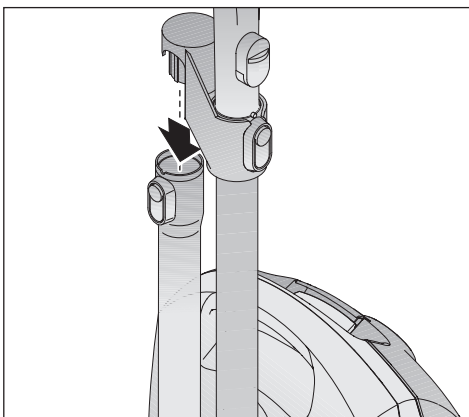
- Stand the vacuum cleaner upright when it is not being used and during storage.
- Slot the floorhead downwards into the parking attachment on the side of the vacuum cleaner.




If your vacuum cleaner is fitted with a telescopic tube, retract the tubes fully for comfortable storage.

If your vacuum cleaner is fitted with an EasyLock tube, store the unit by

- pressing the release button to release the lower tube and pull it right out until it clicks.
- Push the connection piece attached to the upper tube into the lower tube.




 Always disconnect the vacuum cleaner from the electrical supply for maintenance work and for cleaning. Switch off at the wall socket and remove the plug.

The Miele filter system consists of three filters which must be replaced from time to time to ensure that your vacuum cleaner performs efficiently.

- Dustbag
- Dust compartment filter (for motor protection)
- Exhaust filter

These will need to be replaced from time to time to ensure that your vacuum cleaner performs efficiently.

Only use genuine Miele approved dustbags and filters. This ensures that your vacuum cleaner functions correctly and cleans hygienically.

 The use of non-Miele approved dustbags, paper dustbags as well as dustbags with cardboard holders can cause serious damage to the vacuum cleaner and will invalidate your warranty.

Purchasing new dustbags and filters

Genuine Miele dustbags can be ordered via the internet at www.miele-shop.com, or from Miele (see back cover for contact details) or from your Miele Vacuum Cleaner Specialist.



Ordering the correct dustbags and filters

You can recognise genuine Miele dustbags type **G/N** and genuine Miele filters by the "Original Miele"-Logo on the packaging or on the dustbags.



An Air Clean exhaust filter and a dust compartment filter are supplied with every packet of Miele dustbags. If you wish to purchase exhaust filters or dust compartment filters separately, please quote the model number of your appliance when ordering to ensure you get the correct items. You can also order all accessories via the Miele website www.miele-shop.com.

Maintenance and care

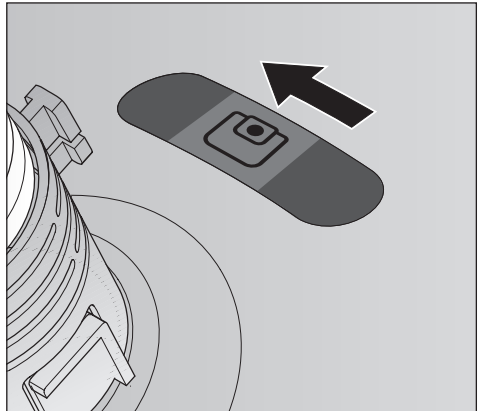
When to change the dustbag

Change the dustbag when the colour marker in the dustbag change indicator fills the display red, or sooner if it is no longer effective.

Miele dustbags are disposable, and designed for single use only. Do not attempt to re-use them as suction would be reduced.

Checking the dustbag change indicator

- Attach the standard floorhead to the suction tube.
- Switch the vacuum cleaner on and select the highest power setting.
- Lift the floorhead off the floor a little.



How the dustbag change indicator works

The dustbag change indicator is set for normal household dust. Normal household dust would contain a mixture of dust, hair, carpet fluff, threads, grit etc.

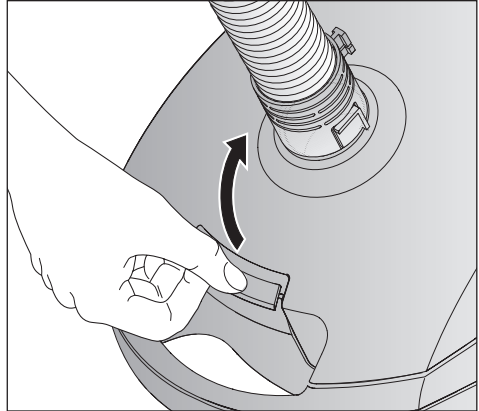
However, if the vacuum cleaner has been used to suck up fine dust, the pores of the dustbag will become blocked very quickly. This affects the air permeability of the bag, and the marker will indicate that the bag is "full" even when it is not. If this happens you must still change the dustbag because suction power will be greatly reduced by blocked pores in the dustbag.

If, on the other hand, you have vacuumed up a large amount of hair and carpet fluff which typically contains a lot of air, the indicator may fail to react even though the bag is full. You should still change it!

Replacing the dustbag

- Press the release button for the dust compartment lid and raise the lid as far as it will go.

The dustbag has a closing flap which closes automatically when the dust compartment lid is raised to prevent any dust escaping.

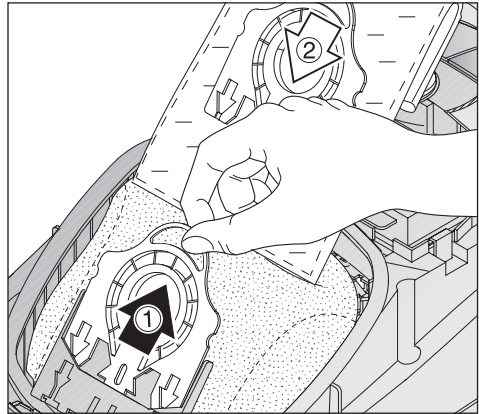



Replacing the dustbag ①

- Pull the dustbag out by the grip next to the self-closing flap on the collar.

Refitting the dustbag ②

- Fit the new dustbag into the holder as far as it will go. Leave it folded up when you take it out of the box.
- It should be unfolded in the dust compartment.
- Close the dust compartment lid securely, making sure it clicks into position. Take care not to trap the dustbag when doing so.



 The lid will not close without a dustbag in place. Do not force it.

Maintenance and care

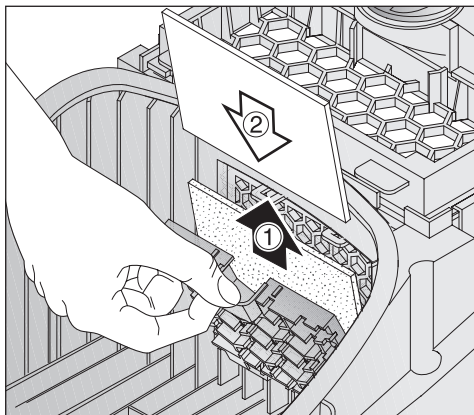
When to change the dust compartment filter (for motor protection)

Replace this filter every time you start a new packet of dustbags.

An exhaust filter is supplied with every packet of Miele dustbags.

How to change the dust compartment filter

- Open the dust compartment lid.
- Unclip the filter frame and replace the dust compartment filter.
- Close the filter frame.
- Close the filter frame and the dust compartment lid.



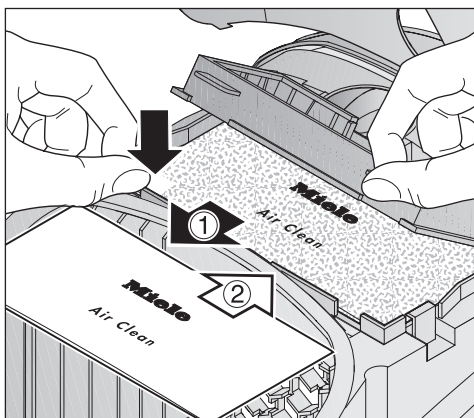
Replacing the Air Clean filter

Replace this filter every time you start a new packet of Miele dustbags. An Air Clean exhaust filter and a dust compartment filter with every packet of Miele dustbag.

Replacing the Air Clean filter

Do not use more than one exhaust filter at a time.

- Open the dust compartment lid.
- Release the filter grille and raise it upwards. Grasp the used Air Clean filter by the clean, unsoiled section (see arrow) and take it out ①.
- Fit the new Air Clean filter ②.
- Remove the filter grille.
- Close the dust compartment lid.



Replacing one type of exhaust filter with another

Your Miele vacuum cleaner can be fitted with optional Active Air Clean / Active HEPA filter. This filter can be used instead of the Air Clean filter, which is supplied as standard.

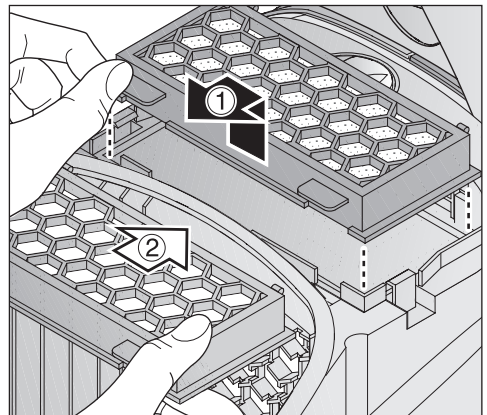
Remove the exhaust Air Clean filter and the filter grille and replace with the new Active Air Clean or Active HEPA filter. Remember: do not use two types of exhaust filters together.

When to replace the Active Air Clean or Active HEPA filter

These types of filter need to be changed approximately once a year. Make a note of the date on the filter.

How to replace the Active Air Clean or Active HEPA filter

- Open the dust compartment lid.
- Remove the old filter ①.
- Fit the new filter ②.
- Close the filter frame and the dust compartment lid.



Maintenance and care

When to change the thread lifters

The thread lifters on the suction inlet to the floorhead can be replaced. Check them from time to time and replace them if the pile has worn down.

To replace the thread lifters

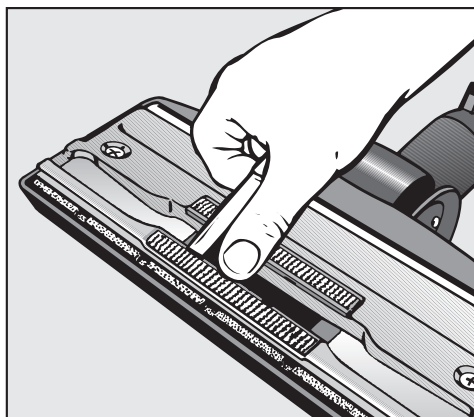
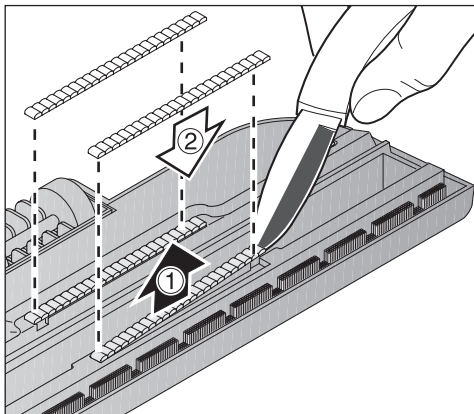
Floor head SBD 350-3

- Use a suitable tool to remove them from the slots ①.
- Fit new thread lifters ②.

Floor head SBD 450-3 (S2131 only)

- Use a suitable tool to remove them from the slots.
- Fit new thread lifters.

Spare parts are available from your Miele Vacuum Cleaner Specialist, from Miele (see back cover for contact details) or the internet at www.miele-shop.com.



The vacuum cleaner switches off automatically.

A temperature limiter switch switches the vacuum cleaner off automatically if it gets too hot.

This can occur if, for instance, large articles block the suction tube or when the filter bag is full or contains particles of fine dust. A heavily soiled exhaust or dust compartment filter can also be the cause for overheating. Switch off the vacuum cleaner using the On-Off switch ①. Disconnect from the electricity supply. Switch off at the wall socket and remove the plug.

After removing the cause, wait for approximately 20 - 30 minutes to allow the vacuum cleaner to cool down. It can then be switched on again.

After sales service / Warranty

In the event of a fault that you cannot easily remedy, please contact

- your Miele Vacuum Cleaner Specialist

or

- Miele (see back cover for address).

Warranty

The appliance is guaranteed for a period of 2 years.

For information on the appliance warranty specific to your country please contact Miele. See back cover for contact details.



Miele Australia Pty. Ltd.

ABN 96 005 635 398

Melbourne:

1 Gilbert Park Drive

Knoxfield, VIC 3180

Telephone: (03) 9764 7130

Fax: (03) 9764 7149

Sydney:

3 Skyline Place

Frenchs Forest, NSW 2086

Telephone: (02) 8977 4230

Fax: (02) 8977 4249

Brisbane:

39 Harvey Street North

Eagle Farm, QLD 4009

Telephone: 1800 798 578

Fax: 1800 799 578

Adelaide:

83-85 Sir Donald Bradman Drive

Hilton, SA 5033

Telephone: 1800 018 770

Fax: 1800 799 578

Perth:

205-207 Stirling Highway

Claremont, WA 6010

Telephone: 1800 094 872

Fax: 1800 799 578

www.miele.com.au

Miele New Zealand Limited

Unit L, 10-20 Sylvia Park Road
Mt. Wellington, 1060, Auckland
New Zealand

Telephone: 0800 264 353

Fax: 0800 463 453

www.miele.co.nz

Germany

Miele & Cie. KG

Carl-Miele-Straße 29
33332 Gütersloh

